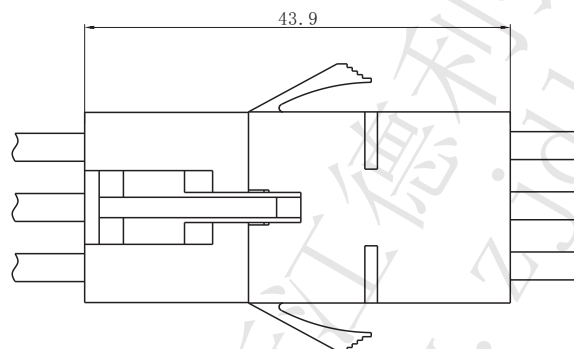


技术特性/Specifications:

额定电压 Rated voltage: 300V AC, DC
 额定电流 Rated current: 15~9A AC, DC
 接触电阻 Contact resistance: 20mΩ max
 绝缘电阻 Insulation resistance: 1000MΩ min
 耐压 Withstand voltage: 1500V AC/minute
 环境温度 Ambient temperature: -25°C~+85°C
 适用线规 Wire range: AWG#22~#16

PC电路板布局和组件布局 PC board layout and Assembly layout

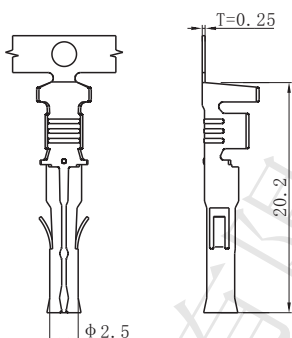
▣ Assembly layout (装配布局)



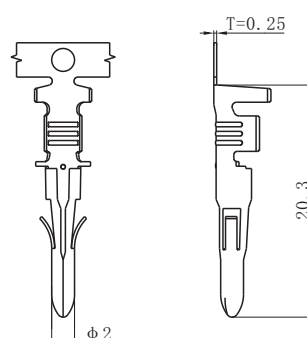
上图为连接器安装侧观察图

Notes: The above figure is the figure viewed from the connector mounting side.

□ DL62001-T (L6.2-T)



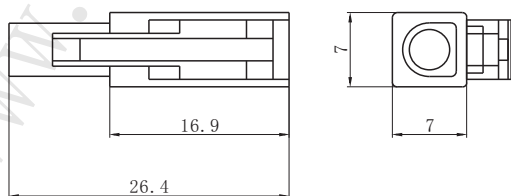
□ DL62001-RT (L6.2-RT)



Model No. (型号)	Applicable wire (适用线规)			Material (材料)	Plating (电镀)	Qty/reel (数量/盘)
	mm ²	AWG#	Insulation O.D. (绝缘外径mm)			
DL62001-T (L6.2-T)	0.33~1.30	22~16	φ1.7~3.4	Phosphor bronze (磷青铜)	Tin Plated (镀锡)	3000
DL62001-RT (L6.2-RT)	0.33~1.30	22~16	φ1.7~3.4	Phosphor bronze (磷青铜)	Tin Plated (镀锡)	3000

符合RoHS标准
RoHS compliance
注: 镀金产品请联系DLL
Note: Contact DLL for gold-plated products.

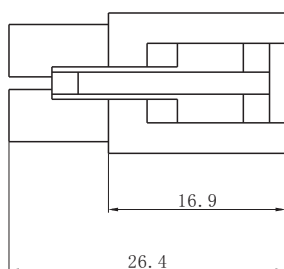
□ DL62001-1Y (L6.2-1Y)



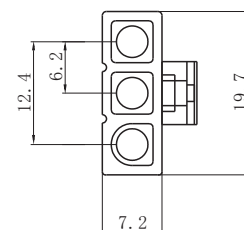
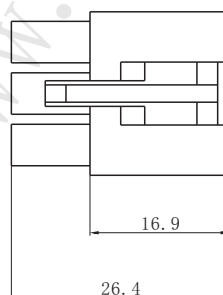
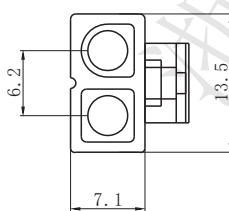
Material (材料)
Housing (胶壳): Nylon (尼龙) UL94-V0 (2)
Wafer (接触件): Brass (黄铜) / Tin plated (镀锡)

符合RoHS标准
RoHS compliance

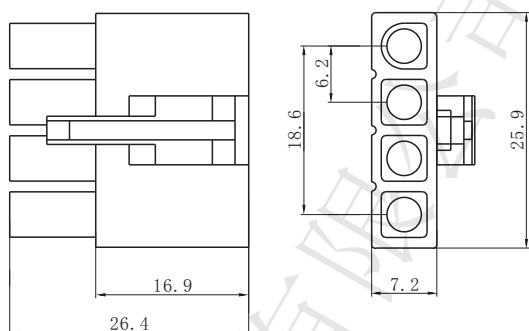
□ DL62001-1Y (L6.2-2Y)



□ DL62001-1Y (L6.2-3Y)



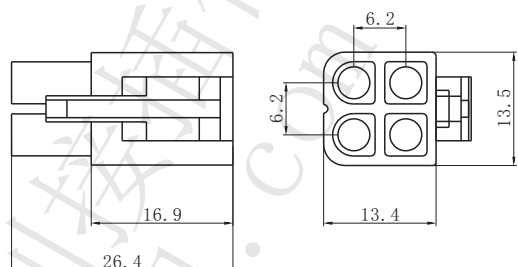
□ DL62001-4YM (L6.2-4YM)



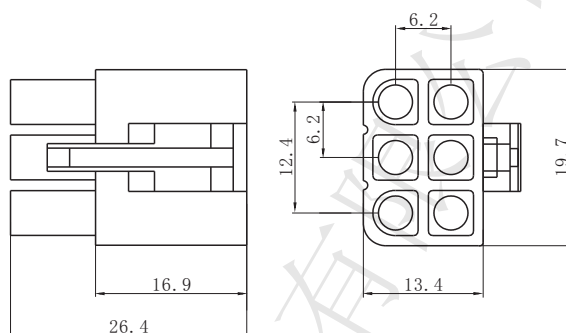
Material (材料)
Housing (胶壳): Nylon (尼龙) UL94-V0 (2)

符合RoHS标准
RoHS compliance

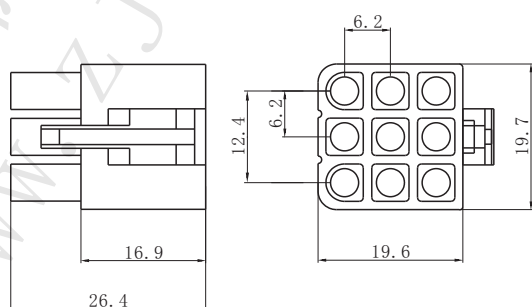
□ DL62001-4Y (L6.2-4Y)



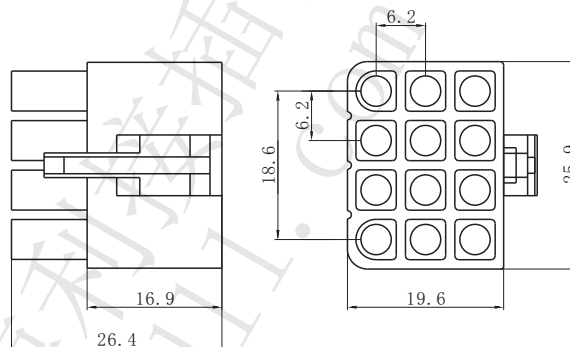
□ DL62001-6Y (L6.2-6Y)



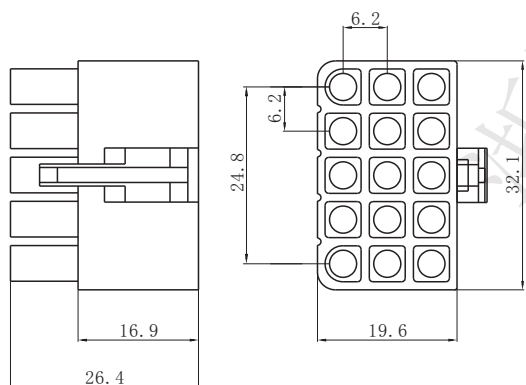
□ DL62001-9Y (L6.2-9Y)



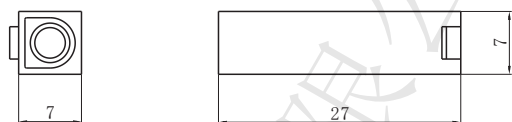
□ DL62001-12Y (L6.2-12Y)



□ DL62001-15Y (L6.2-15Y)



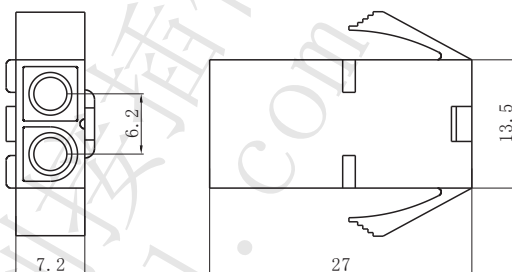
□ DL62001-1RF (L6.2-1RF)



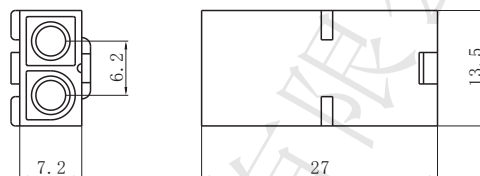
Material (材料)
Housing (胶壳): Nylon (尼龙) UL94-V0 (2)

符合RoHS标准
RoHS compliance

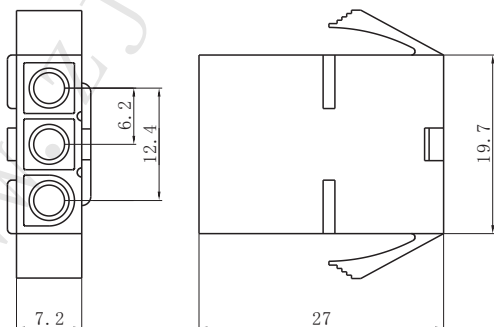
□ DL62001-2R (L6.2-2R)



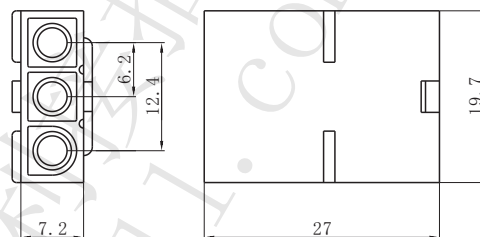
□ DL62001-2RF (L6.2-2RF)



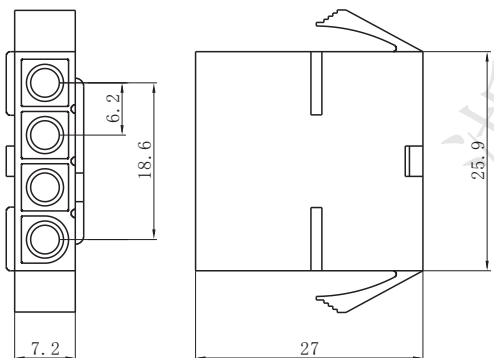
□ DL62001-3R (L6.2-3R)



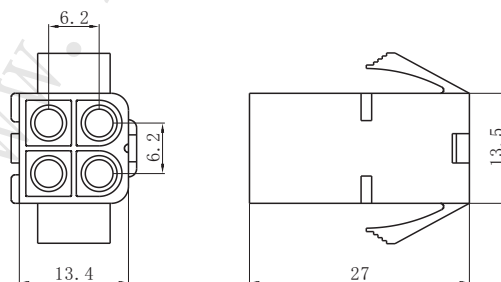
□ DL62001-3RF (L6.2-3RF)



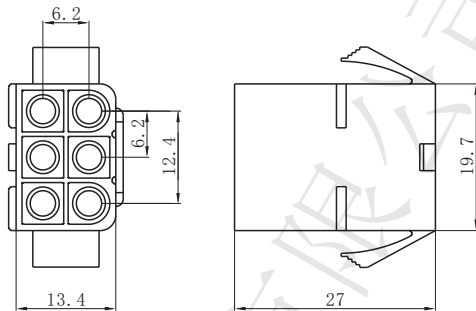
□ DL62001-4RM (L6.2-4RM)



□ DL62001-4R (L6.2-4R)



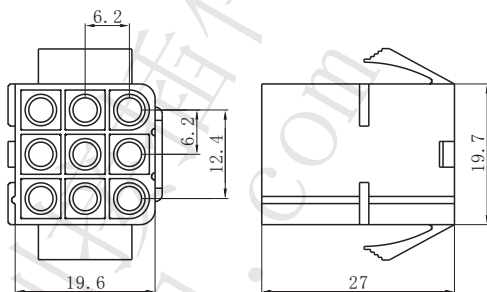
□ DL62001-6R (L6.2-6R)



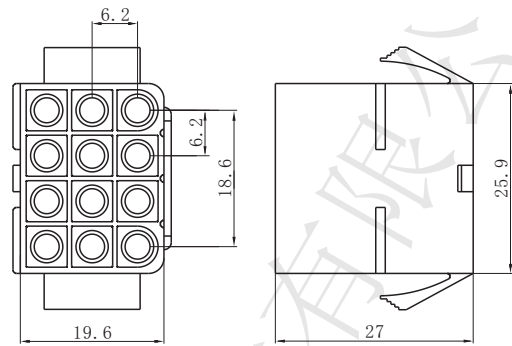
Material (材料)
Housing (胶壳): Nylon (尼龙) UL94-V0 (2)

符合RoHS标准
RoHS compliance

□ DL62001-9R (L6.2-9R)



□ DL62001-12R (L6.2-12R)



□ DL62001-15R (L6.2-15R)

