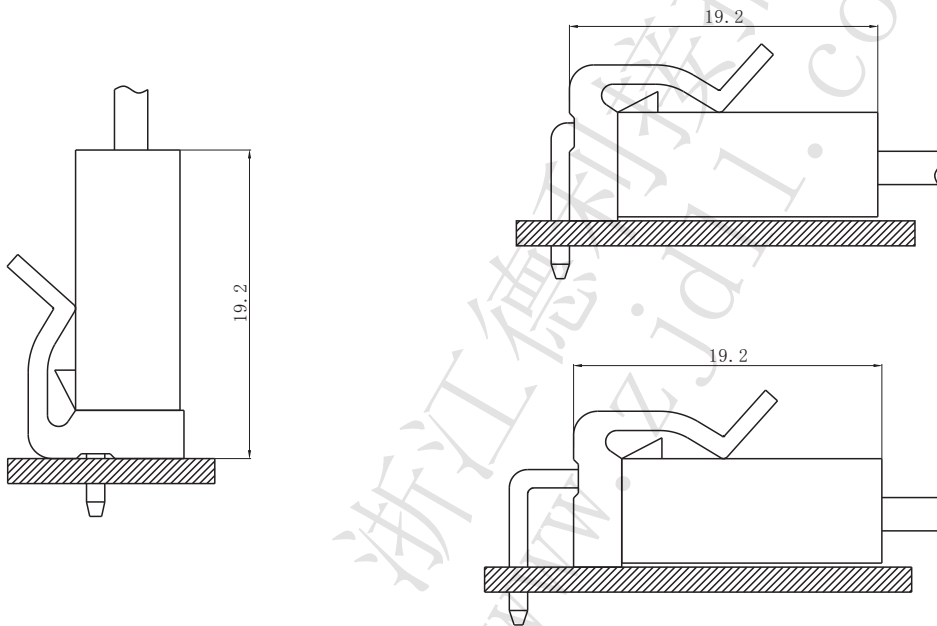


技术特性/Specifications:

额定电压 Rated voltage: 250V AC, DC
 额定电流 Rated current: 9A AC, DC
 接触电阻 Contact resistance: 20mΩ max
 绝缘电阻 Insulation resistance: 1000MΩ min
 耐压 Withstand voltage: 1500V AC/minute
 环境温度 Ambient temperature: -25°C~+85°C
 适用线规 Wire range: AWG#24~#18

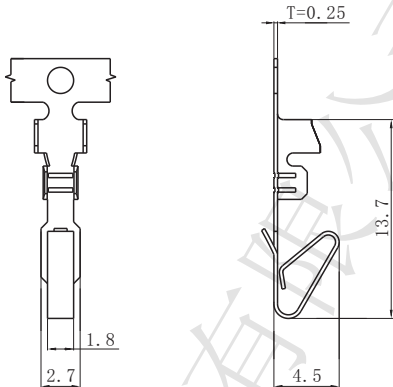
PC电路板布局和组件布局 PC board layout and Assembly layout

▣ Assembly layout (装配布局)



上图为连接器安装侧观察图
 Notes: The above figure is the figure viewed from the connector mounting side.

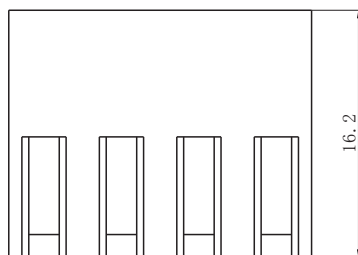
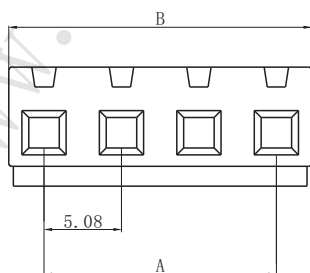
□ DL50801-T (5.08-T)



Model No. (型号)	Applicable wire (适用线规)			Material (材料)	Plating (电镀)	Qty/reel (数量/盘)
	mm ²	AWG#	Insulation O.D. (绝缘外径mm)			
DL50801-T (5.08-T)	0.33~0.83	24~18	φ1.7~3.0	Phosphor bronze (磷青铜)	Tin Plated (镀锡)	5500

符合RoHS标准
RoHS compliance
注：镀金产品请联系DLL
Note: Contact DLL for gold-plated products.

□ DL50801-Y (5.08-Y)

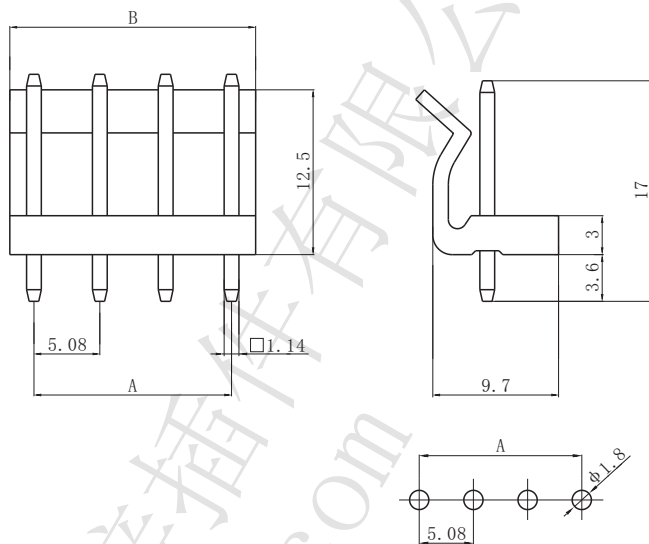


Circuits (电路)	Dimensions (尺寸mm)	
	A	B
2	5.08	9.70
3	10.16	14.78
4	15.24	19.86
5	20.32	24.94
6	25.40	30.02
7	30.48	35.10
8	35.56	40.18
9	40.64	45.26
10	45.72	50.34

Material (材料)
Housing (胶壳): Nylon (尼龙) UL94- V0 (2)

符合RoHS标准
RoHS compliance

□ DL50801-A (5.08-A)



Circuits (电路)	Dimensions (尺寸mm)	
	A	B
2	5.08	8.88
3	10.16	13.96
4	15.24	19.04
5	20.32	24.12
6	25.40	29.20
7	30.48	34.28
8	35.56	39.36
9	40.64	44.44
10	45.72	49.52

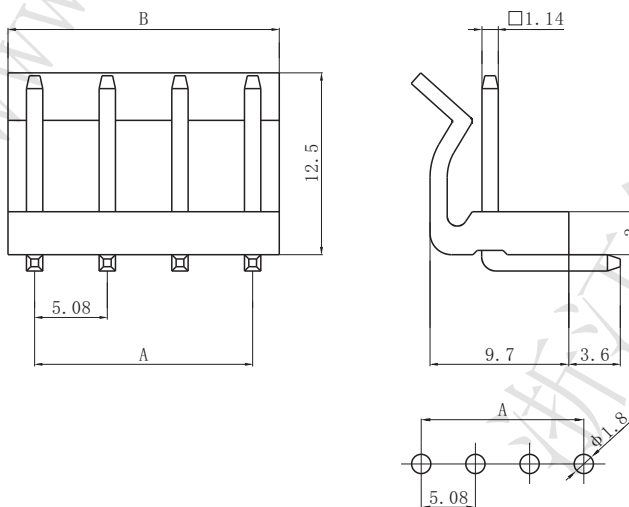
Material (材料)

Housing (胶壳): Nylon (尼龙) UL94- V0 (2)

Wafer (接触件): Brass (黄铜) / Tin plated (镀锡)

符合RoHS标准
RoHS compliance
注: 镀金产品请联系DLL
Note: Contact DLL for gold-plated products.

□ DL50801-AW (5.08-AW)



Circuits (电路)	Dimensions (尺寸mm)	
	A	B
2	5.08	8.88
3	10.16	13.96
4	15.24	19.04
5	20.32	24.12
6	25.40	29.20
7	30.48	34.28
8	35.56	39.36
9	40.64	44.44
10	45.72	49.52

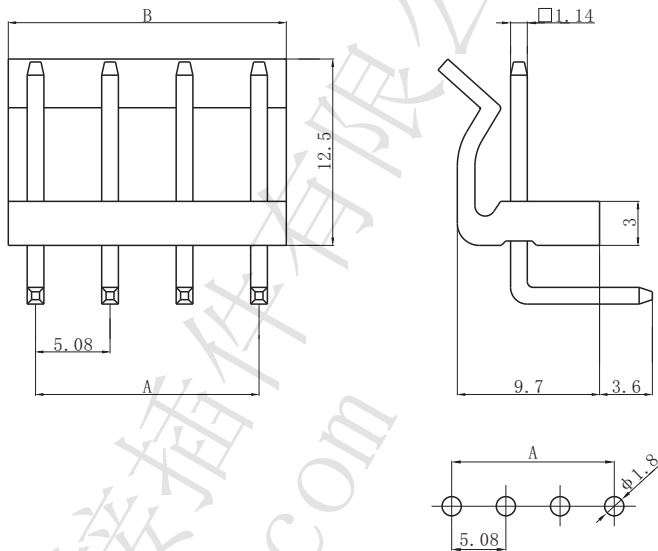
Material (材料)

Housing (胶壳): Nylon (尼龙) UL94- V0 (2)

Wafer (接触件): Brass (黄铜) / Tin plated (镀锡)

符合RoHS标准
RoHS compliance
注: 镀金产品请联系DLL
Note: Contact DLL for gold-plated products.

□ DL50801-AWT (5.08-AWT)



Circuits (电路)	Dimensions (尺寸mm)	
	A	B
2	5.08	8.88
3	10.16	13.96
4	15.24	19.04
5	20.32	24.12
6	25.40	29.20
7	30.48	34.28
8	35.56	39.36
9	40.64	44.44
10	45.72	49.52

Material (材料)

Housing (胶壳): Nylon (尼龙) UL94- V0 (2)

Wafer (接触件): Brass (黄铜) / Tin plated (镀锡)

符合RoHS标准
RoHS compliance
注: 镀金产品请联系DLL
Note: Contact DLL for gold-plated products.