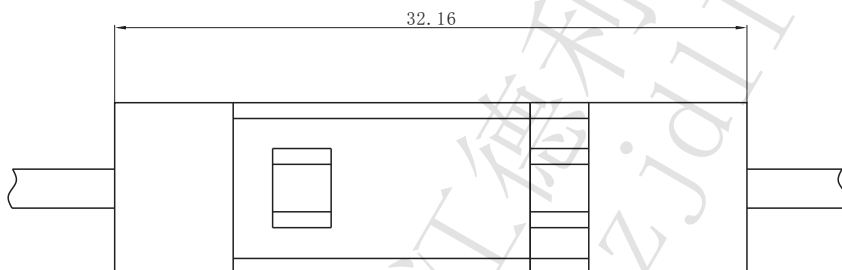


技术特性/Specifications:

额定电压 Rated voltage: 250V AC, DC
 额定电流 Rated current: 5A AC, DC
 接触电阻 Contact resistance: 20mΩ max
 绝缘电阻 Insulation resistance: 1000MΩ min
 耐压 Withstand voltage: 1500V AC/minute
 环境温度 Ambient temperature: -25°C~+85°C
 适用线规 Wire range: AWG#26~#20

PC电路板布局和组件布局 PC board layout and Assembly layout

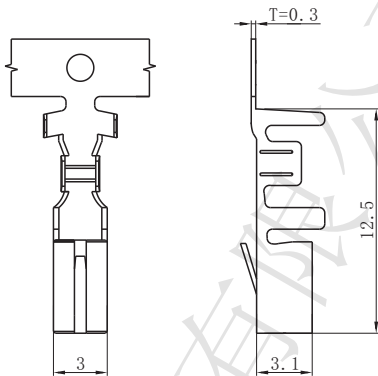
▣ Assembly layout (装配布局)



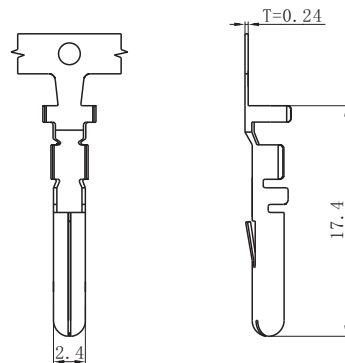
上图图为连接器安装侧观察图

Notes: The above figure is the figure viewed from the connector mounting side.

□ DL54001-T (88963-T)



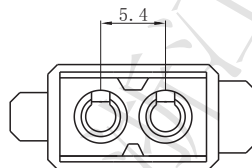
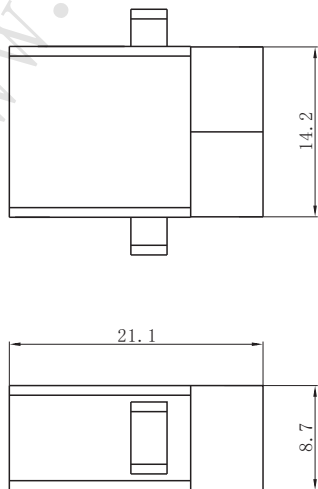
□ DL54001-RT (88964-RT)



Model No. (型号)	Applicable wire (适用线规)			Material (材料)	Plating (电镀)	Qty/reel (数量/盘)
	mm ²	AWG#	Insulation O.D. (绝缘外径mm)			
DL54001-T (88963-T)	0.13~0.52	26~20	φ1.0~2.5	Phosphor bronze (磷青铜)	Tin Plated (镀锡)	/
DL54001-RT (88964-RT)	0.13~0.52	26~20	φ1.0~2.5	Phosphor bronze (磷青铜)	Tin Plated (镀锡)	/

符合RoHS标准
RoHS compliance
注：镀金产品请联系DLL
Note: Contact DLL for gold-plated products.

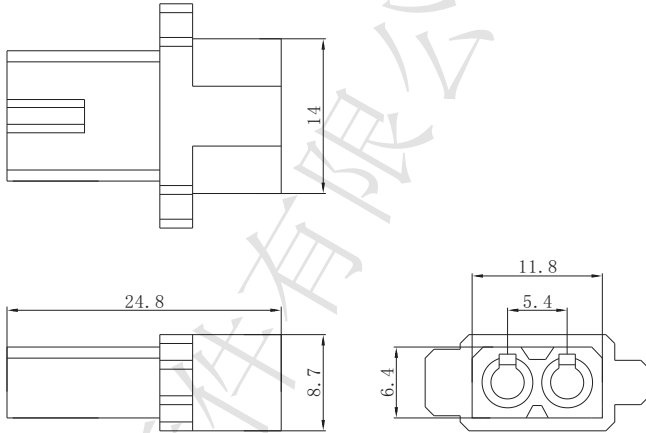
□ DL54001-Y (88963-2Y)



Material (材料)
Housing (胶壳): Nylon (尼龙) UL94- V0 (2)

符合RoHS标准
RoHS compliance

□ DL54001-2R (88964-2R)



Material (材料)

Housing (胶壳): Nylon (尼龙) UL94- V0 (2)

符合RoHS标准
RoHS compliance