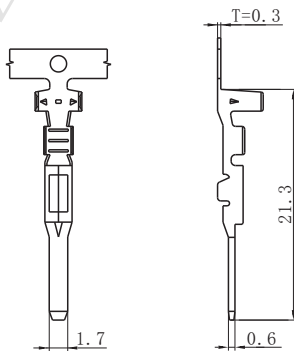


技术特性/Specifications:

额定电压 Rated voltage: 250V AC, DC
 额定电流 Rated current: 7A AC, DC
 接触电阻 Contact resistance: 20mΩ max
 绝缘电阻 Insulation resistance: 1000MΩ min
 耐压 Withstand voltage: 1500V AC/minute
 环境温度 Ambient temperature: -25°C~+85°C
 适用线规 Wire range: AWG#26~#18

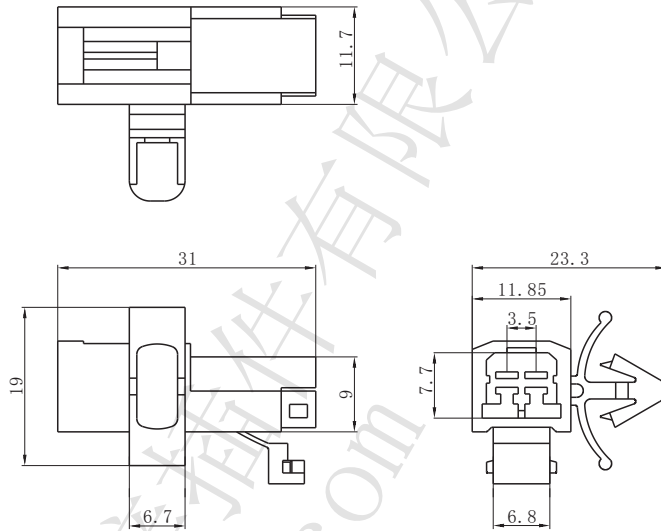
□ DL03501-T (MS2ASP-T)



Model No. (型号)	Applicable wire (适用线规)			Material (材料)	Plating (电镀)	Qty/reel (数量/盘)
	mm ²	AWG#	Insulation O.D. (绝缘外径mm)			
DL03501-T (MS2ASP-T)	0.30~0.50	26~18	φ 1.9~2.5	Phosphor bronze (磷青铜)	Tin Plated (镀锡)	3500

符合RoHS标准
 RoHS compliance
 注: 镀金产品请联系DLL
 Note: Contact DLL for gold-plated products.

□ DL03501-2Y (MS2ASP-2Y)



Material (材料)

Housing (胶壳): Nylon (尼龙) UL94- V0 (2)

符合RoHS标准
RoHS compliance