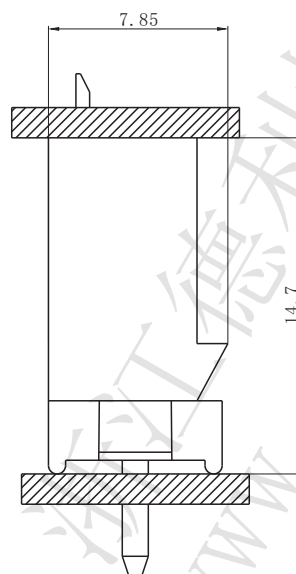


技术特性/Specifications:

额定电压 Rated voltage: 250V AC, DC
 额定电流 Rated current: 7A AC, DC
 接触电阻 Contact resistance: 20mΩ max
 绝缘电阻 Insulation resistance: 1000MΩ min
 耐压 Withstand voltage: 1500V AC/minute
 环境温度 Ambient temperature: -25°C~+85°C
 适用线规 Wire range: AWG#24~#18

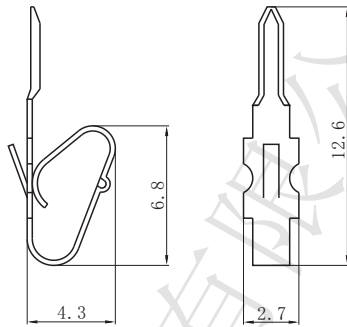
PC电路板布局和组件布局 PC board layout and Assembly layout

▣ Assembly layout (装配布局)



上图为连接器安装侧观察图
 Notes: The above figure is the figure viewed from the connector mounting side.

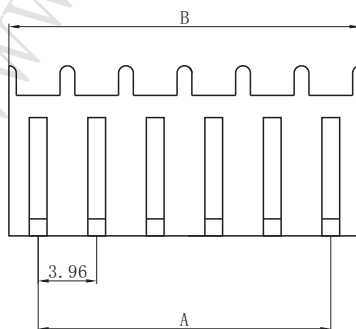
□ DL39603-T (3.96B-T)



Model No. (型号)	Applicable wire (适用线规)			Material (材料)	Plating (电镀)	Qty/reel (数量/盘)
	mm ²	AWG#	Insulation O. D. (绝缘外径mm)			
DL39603-T (3.96B-T)	/	/	/	Phosphor bronze (磷青铜)	Tin Plated (镀锡)	5500

符合RoHS标准
RoHS compliance
注：镀金产品请联系DLL
Note: Contact DLL for gold-plated products.

□ DL39603-Y (3.96B-Y)



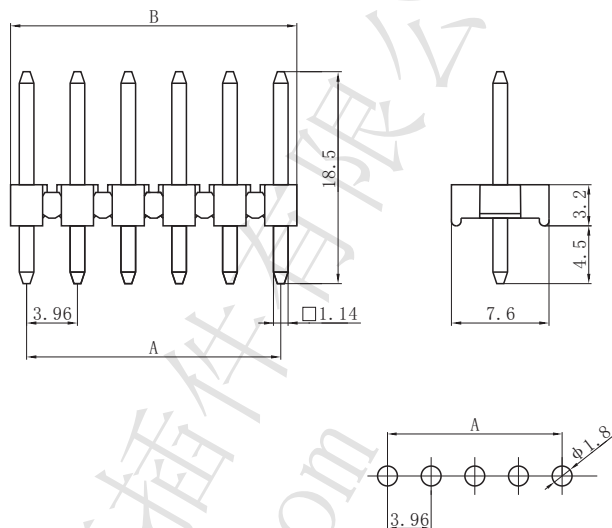
Circuits (电路)	Dimensions (尺寸mm)	
	A	B
2	3.96	7.92
3	7.92	11.88
4	11.88	15.84
5	15.84	19.80
6	19.80	23.76
7	23.76	27.72
8	27.72	31.68
9	31.68	35.64
10	35.64	39.60
11	39.60	43.56
12	43.56	47.52
13	47.52	51.48
14	51.48	55.44
15	55.44	59.40

Material (材料)

Housing (胶壳): Nylon (尼龙) UL94-V0 (2)

符合RoHS标准
RoHS compliance

□ DL39603-A (3.96B-A)

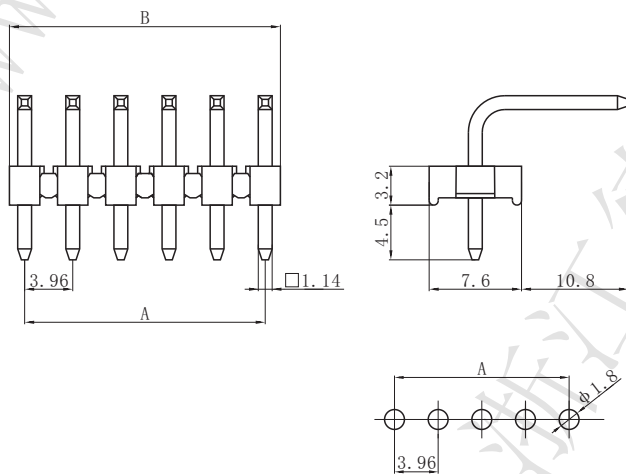


Circuits (电路)	Dimensions (尺寸mm)	
	A	B
2	3.96	6.46
3	7.92	10.42
4	11.88	14.38
5	15.84	18.34
6	19.80	22.30
7	23.76	26.26
8	27.72	30.22
9	31.68	34.18
10	35.64	38.14
11	39.60	42.10
12	43.56	46.06
13	47.52	50.02
14	51.48	53.98
15	55.44	57.94

Material (材料)	
Housing (胶壳):	Nylon (尼龙) UL94-V0 (2)
Wafer (接触件):	Brass (黄铜) / Tin plated (镀锡)

符合RoHS标准
RoHS compliance
注: 镀金产品请联系DLL
Note: Contact DLL for gold-plated products.

□ DL39603-AWT (3.96B-AWT)



Circuits (电路)	Dimensions (尺寸mm)	
	A	B
2	3.96	6.46
3	7.92	10.42
4	11.88	14.38
5	15.84	18.34
6	19.80	22.30
7	23.76	26.26
8	27.72	30.22
9	31.68	34.18
10	35.64	38.14
11	39.60	42.10
12	43.56	46.06
13	47.52	50.02
14	51.48	53.98
15	55.44	57.94

Material (材料)	
Housing (胶壳):	Nylon (尼龙) UL94-V0 (2)
Wafer (接触件):	Brass (黄铜) / Tin plated (镀锡)

符合RoHS标准
RoHS compliance
注: 镀金产品请联系DLL
Note: Contact DLL for gold-plated products.