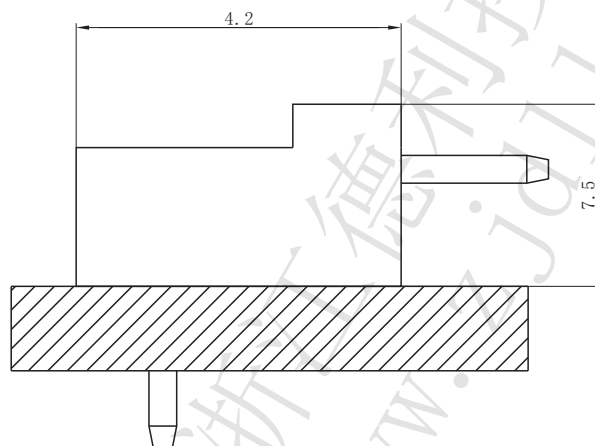


**技术特性/Specifications:**

额定电压 Rated voltage: 250V AC, DC  
 额定电流 Rated current: 3A AC, DC  
 接触电阻 Contact resistance: 10mΩ max  
 绝缘电阻 Insulation resistance: 1000MΩ min  
 耐压 Withstand voltage: 1000V AC/minute  
 环境温度 Ambient temperature: -25°C ~ +85°C

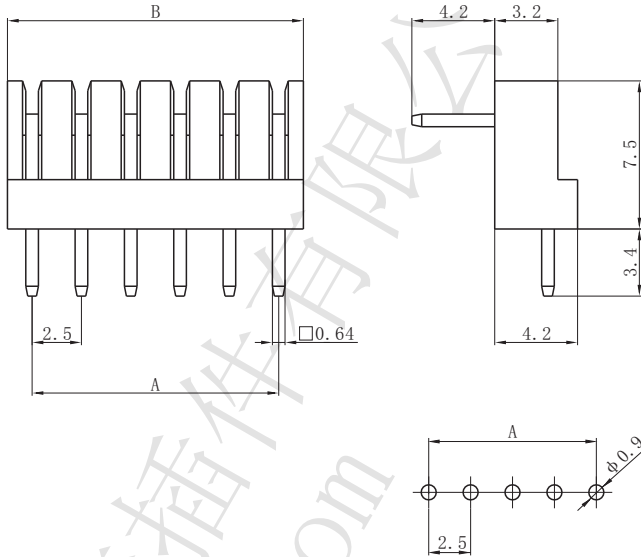
**PC电路板布局和组件布局 PC board layout and Assembly layout**

▣ Assembly layout (装配布局)



上图为连接器安装侧观察图  
 Notes: The above figure is the figure viewed from the connector mounting side.

□ DL25021-AW (DP-AW)



| Circuits<br>(电路) | Dimensions (尺寸mm) |       |
|------------------|-------------------|-------|
|                  | A                 | B     |
| 2                | 2.50              | 5.00  |
| 3                | 5.00              | 7.50  |
| 4                | 7.50              | 10.00 |
| 5                | 10.00             | 12.50 |
| 6                | 12.50             | 15.00 |
| 7                | 15.00             | 17.50 |
| 8                | 17.50             | 20.00 |
| 9                | 20.00             | 22.50 |
| 10               | 22.50             | 25.00 |
| 11               | 25.00             | 27.50 |
| 12               | 27.50             | 30.00 |
| 13               | 30.00             | 32.50 |
| 14               | 32.50             | 35.00 |
| 15               | 35.00             | 37.50 |

Material (材料)

Housing (胶壳): Nylon (尼龙) UL94- V0 (2)

Wafer (接触件): Brass (黄铜) / Tin plated (镀锡)

符合RoHS标准  
RoHS compliance  
注: 镀金产品请联系DLL  
Note: Contact DLL for gold-plated products.