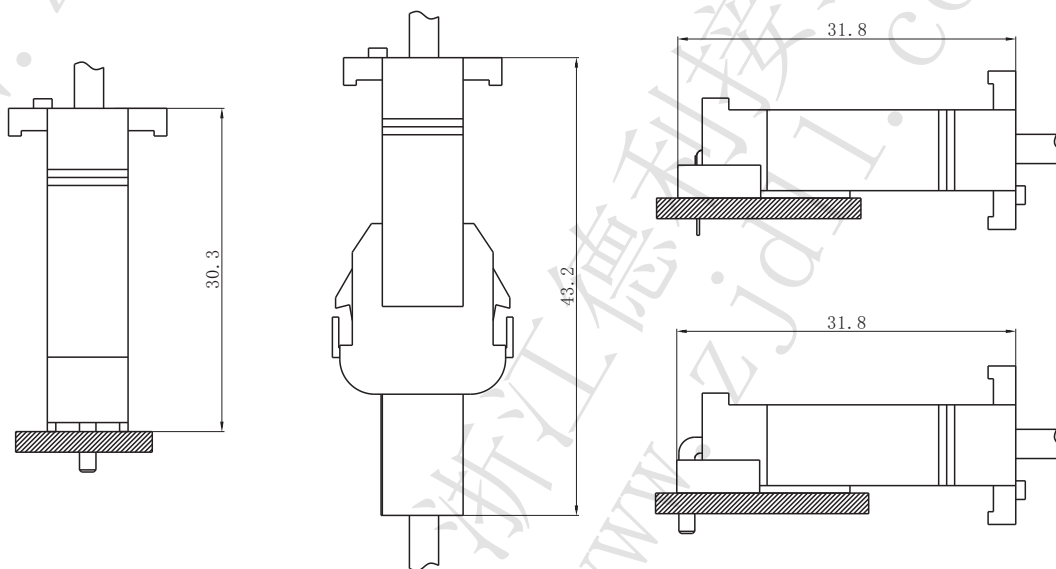


**技术特性/Specifications:**

额定电压 Rated voltage: 300V AC, DC  
 额定电流 Rated current: 13A AC, DC  
 接触电阻 Contact resistance: 20mΩ max  
 绝缘电阻 Insulation resistance: 1000MΩ min  
 耐压 Withstand voltage: 1500V AC/minute  
 环境温度 Ambient temperature: -25°C~+85°C  
 适用线规 Wire range: AWG#20~#16

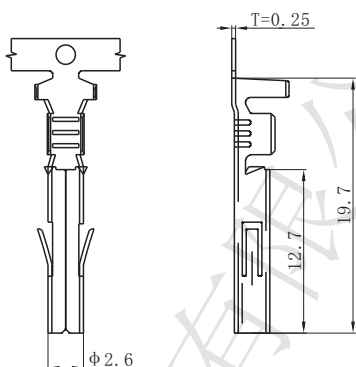
**PC电路板布局和组件布局 PC board layout and Assembly layout**

▣ Assembly layout (装配布局)

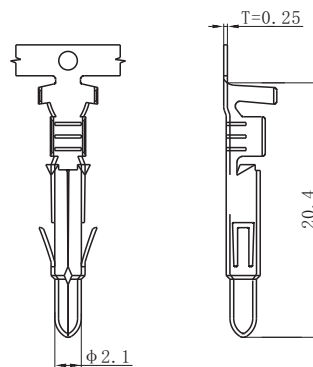


上图为连接器安装侧观察图  
 Notes: The above figure is the figure viewed from the connector mounting side.

□ DL63001-T (42024-T)



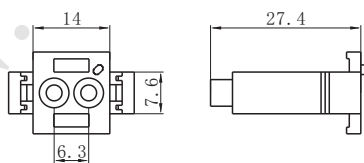
□ DL63001-RT (42023-RT)



Model No. (型号)	Applicable wire (适用线规)			Material (材料)	Plating (电镀)	Qty/reel (数量/盘)
	mm <sup>2</sup>	AWG#	Insulation O.D. (绝缘外径mm)			
DL63001-T (42024-T)	0.52~1.30	20~16	φ2.4~3.4	Phosphor bronze (磷青铜)	Tin Plated (镀锡)	3500
DL63001-RT (42023-RT)	0.52~1.30	20~16	φ2.4~3.4	Phosphor bronze (磷青铜)	Tin Plated (镀锡)	3500

符合RoHS标准  
RoHS compliance  
注：镀金产品请联系DLL  
Note: Contact DLL for gold-plated products.

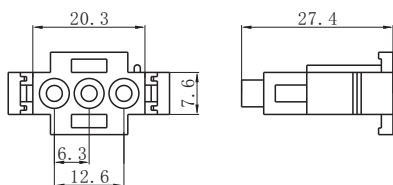
□ DL63001-2Y (42021-2Y)



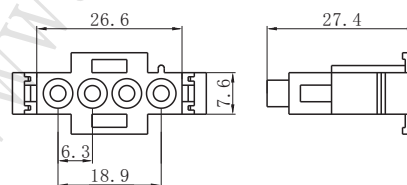
Material (材料)
Housing (胶壳): Nylon (尼龙) UL94-V0 (2)

符合RoHS标准  
RoHS compliance

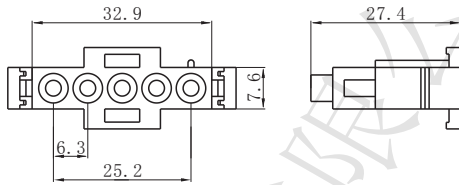
□ DL63001-3Y (42021-3Y)



□ DL63001-4Y (42021-4Y)



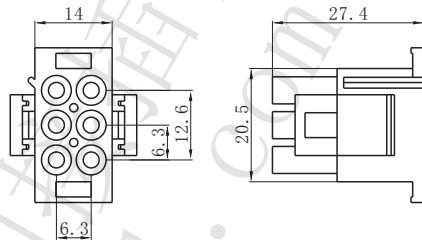
□ DL63001-5Y (42021-5Y)



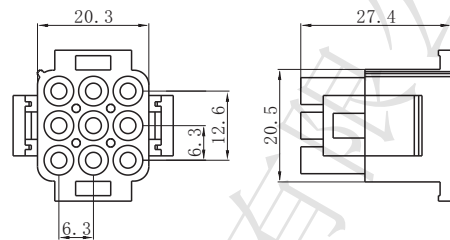
Material (材料)  
Housing (胶壳): PBT UL94-V0 (2)

符合RoHS标准  
RoHS compliance

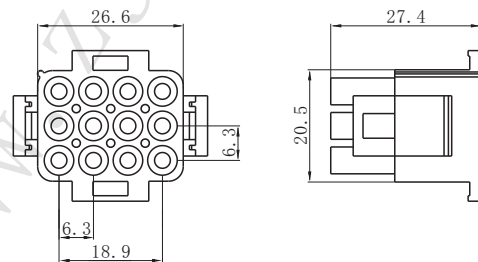
□ DL63001-6Y (42021-6Y)



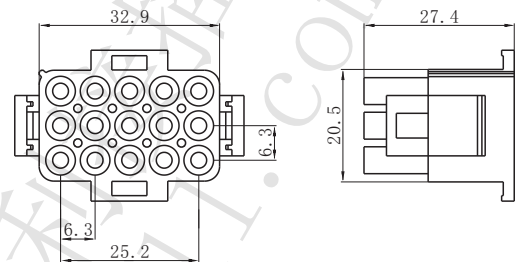
□ DL63001-9Y (42021-9Y)



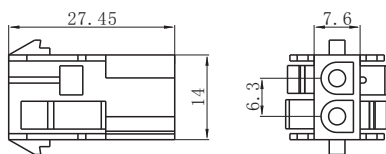
□ DL63001-12Y (42021-12Y)



□ DL63001-15Y (42021-15Y)



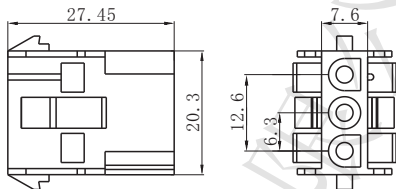
□ DL63001-2R (42022-2R)



Material (材料)  
Housing (胶壳): PBT UL94-V0 (2)

符合RoHS标准  
RoHS compliance

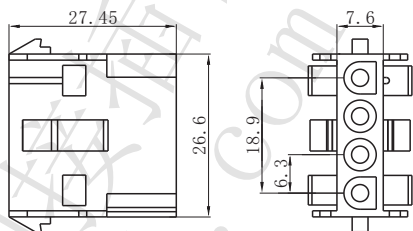
□ DL63001-3R (42022-3R)



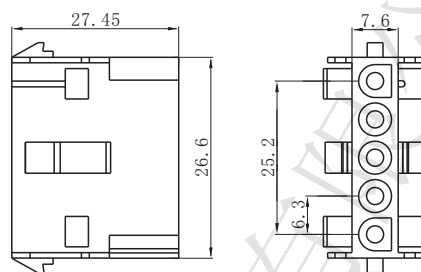
Material (材料)
Housing (胶壳): Nylon (尼龙) UL94-V0 (2)

符合RoHS标准  
RoHS compliance

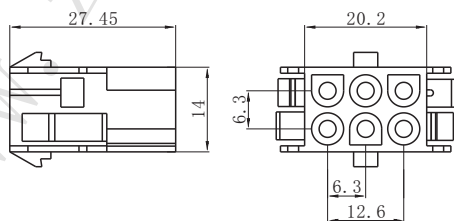
□ DL63001-4R (42022-4R)



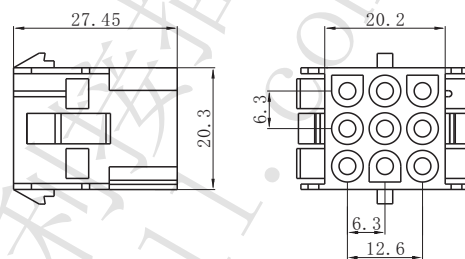
□ DL63001-5R (42022-5R)



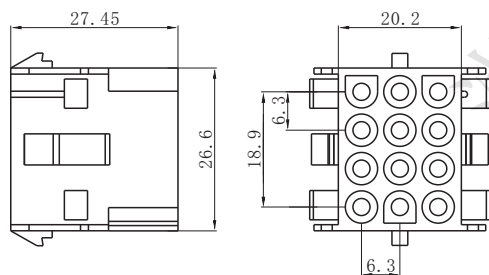
□ DL63001-6R (42022-6R)



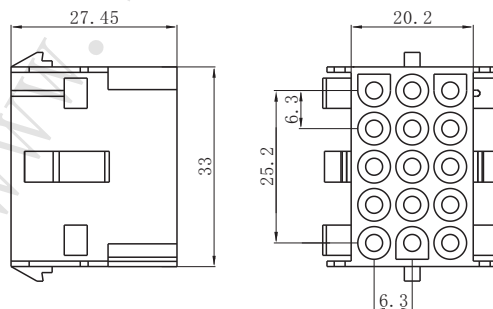
□ DL63001-9R (42022-9R)



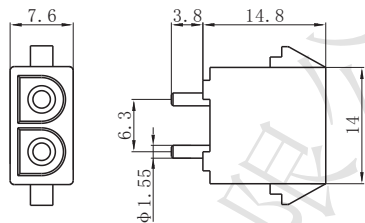
□ DL63001-12R (42022-12R)



□ DL63001-15R (42022-15R)



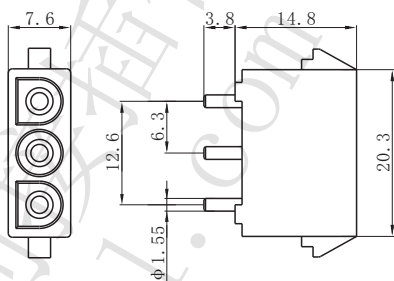
□ DL63001-2A (42002-2A)



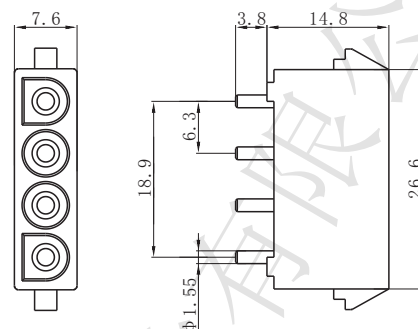
Material (材料)
Housing (胶壳) : Nylon (尼龙) UL94-V0 (2)

符合RoHS标准  
RoHS compliance

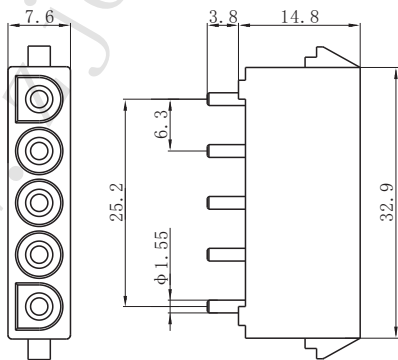
□ DL63001-3A (42002-3A)



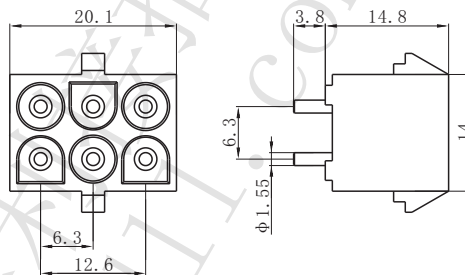
□ DL63001-4A (42002-4A)



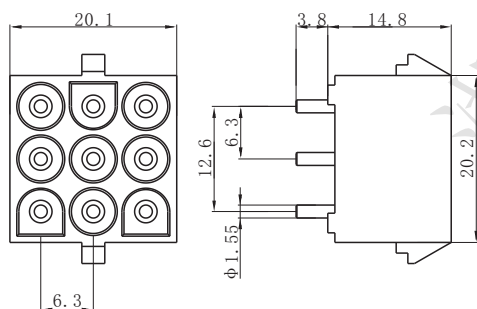
□ DL63001-5A (42002-5A)



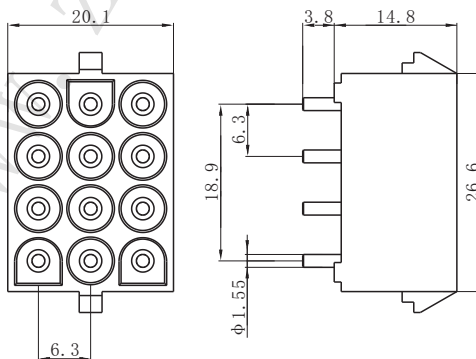
□ DL63001-6A (42002-6A)



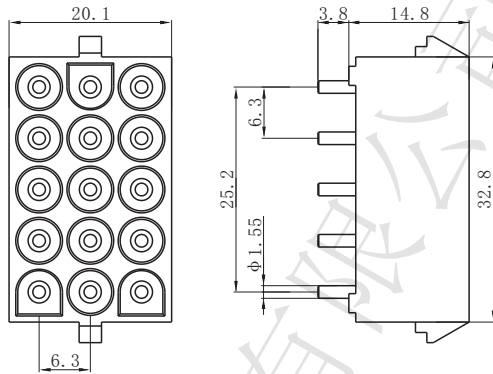
□ DL63001-9A (42002-9A)



□ DL63001-12A (42002-12A)



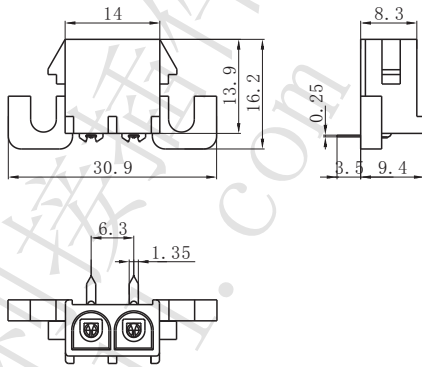
DL63001-15A (42002-15A)



Material (材料)  
Housing (胶壳): Nylon (尼龙) UL94-V0 (2)

符合RoHS标准  
RoHS compliance

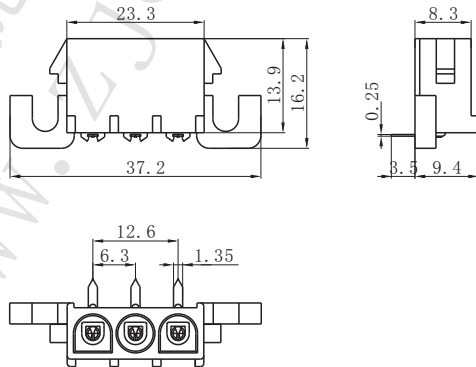
DL63001-2AF (42002-2AF)



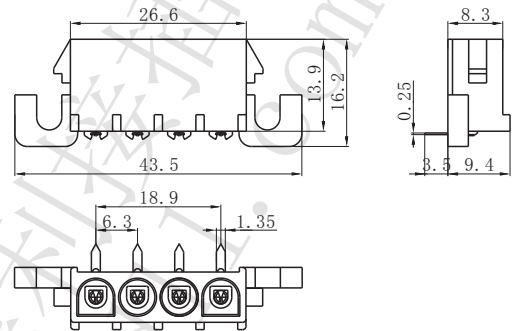
Material (材料)  
Housing (胶壳): Nylon (尼龙) UL94-V0 (2)

符合RoHS标准  
RoHS compliance

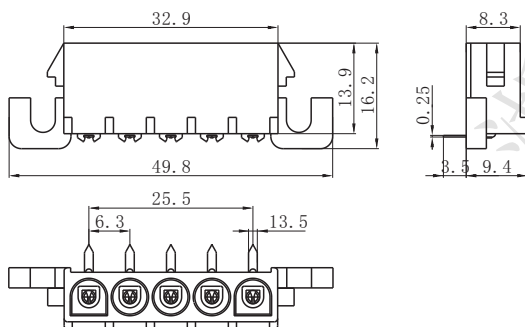
DL63001-3AF (42002-3AF)



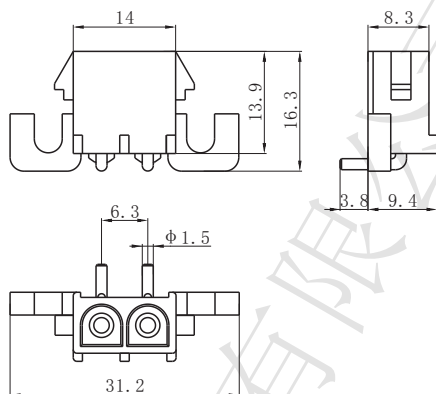
DL63001-4AF (42002-4AF)



DL63001-5AF (42002-5AF)



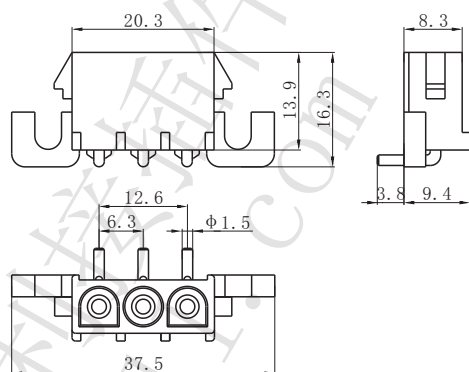
□ DL63001-2AF0 (42002-2AF0)



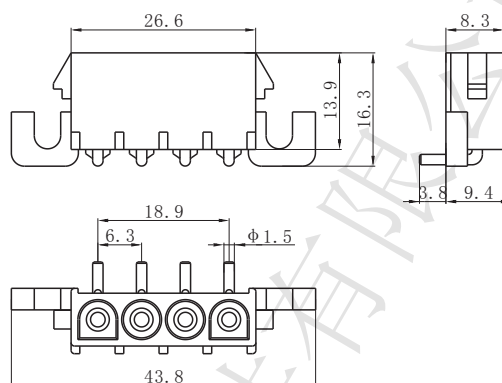
Material (材料)  
Housing (胶壳): Nylon (尼龙) UL94-V0 (2)

符合RoHS标准  
RoHS compliance

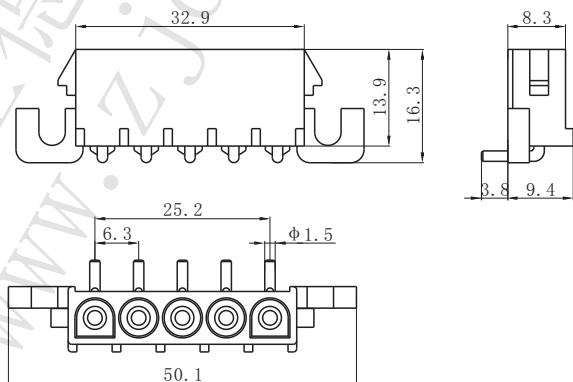
□ DL63001-3AF0 (42002-3AF0)



□ DL63001-4AF0 (42002-4AF0)



□ DL63001-5AF0 (42002-5AF0)



浙江德利来连接器有限公司  
www.zjdl.com