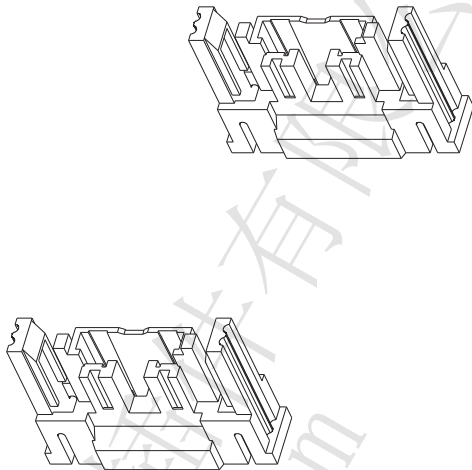
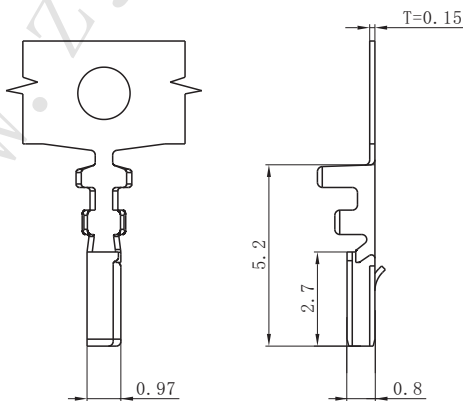


技术特性/Specifications:

额定电压 Rated voltage: 50V AC, DC
 额定电流 Rated current: 2A AC, DC
 接触电阻 Contact resistance: 20mΩ max
 绝缘电阻 Insulation resistance: 100MΩ min
 耐压 Withstand voltage: 150V AC/minute
 环境温度 Ambient temperature: -25°C~+85°C
 适用线规 Wire range: AWG#28~#26



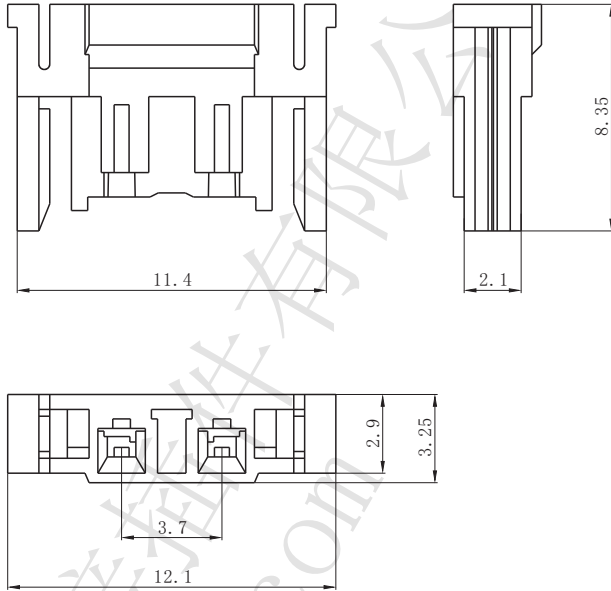
DL37002-T (3701-T)



Model No. (型号)	Applicable wire (适用线规)			Material (材料)	Plating (电镀)	Qty/reel (数量/盘)
	mm ²	AWG#	Insulation O.D. (绝缘外径mm)			
DL37002-T(3701-T)	0.08~0.13	28~26	φ 0.9~1.2	Phosphor bronze (磷青铜)	Tin Plated (镀锡)	12000

符合RoHS标准
 RoHS compliance
 注: 镀金产品请联系DLL
 Note: Contact DLL for gold-plated products.

□ DL37002-2Y (3701-2Y)



Material (材料)

Housing (胶壳): Nylon (尼龙) UL94- V0 (2)

符合RoHS标准
RoHS compliance