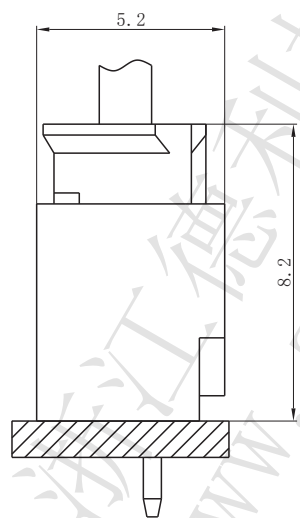


技术特性/Specifications:

额定电压 Rated voltage: 250V AC, DC
 额定电流 Rated current: 2A AC, DC
 接触电阻 Contact resistance: 20mΩ max
 绝缘电阻 Insulation resistance: 1000MΩ min
 耐压 Withstand voltage: 800V AC/minute
 环境温度 Ambient temperature: -25°C~+85°C
 适用线规 Wire range: AWG#30~#24

PC电路板布局和组件布局 PC board layout and Assembly layout

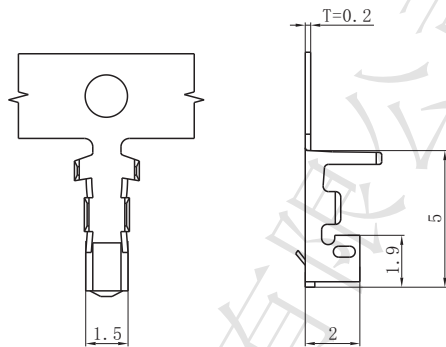
▣ Assembly layout (装配布局)



上图为连接器安装侧观察图

Notes: The above figure is the figure viewed from the connector mounting side.

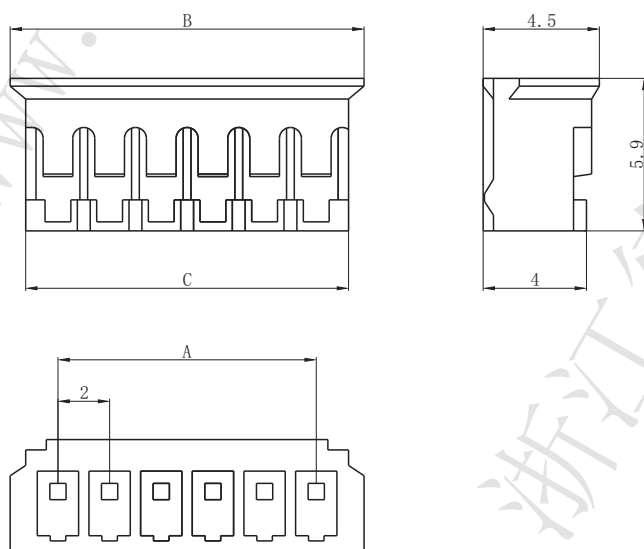
□ DL20013-T (PHC-T)



Model No. (型号)	Applicable wire (适用线规)			Material (材料)	Plating (电镀)	Qty/reel (数量/盘)
	mm ²	AWG#	Insulation O.D. (绝缘外径mm)			
DL20013-T (PHC-T)	0.05~0.22	30~24	φ 0.9~1.5	Phosphor bronze (磷青铜)	Tin Plated (镀锡)	10000

符合RoHS标准
RoHS compliance
注：镀金产品请联系DLL
Note: Contact DLL for gold-plated products.

□ DL20013-Y (PHC-Y)



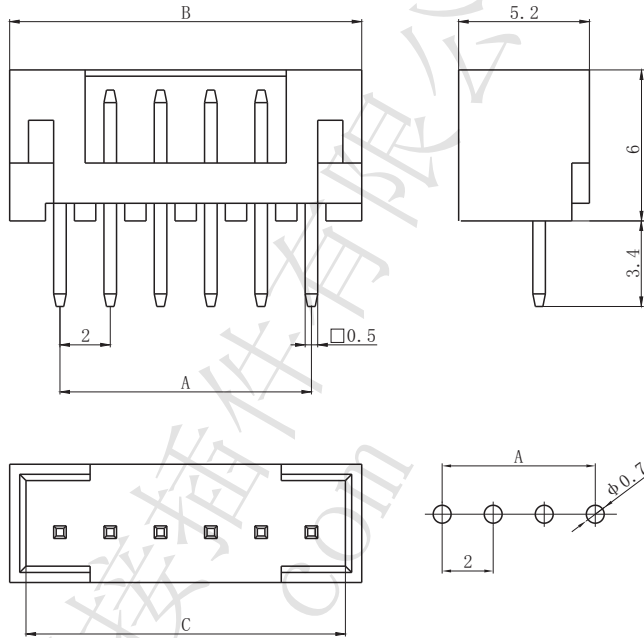
Circuits (电路)	Dimensions (尺寸mm)		
	A	B	C
2	2.00	5.70	4.50
3	4.00	7.70	6.50
4	6.00	9.70	8.50
5	8.00	11.70	10.50
6	10.00	13.70	12.50
7	12.00	15.70	14.50
8	14.00	17.70	16.50
9	16.00	19.70	18.50
10	18.00	21.70	20.50
11	20.00	23.70	22.50
12	22.00	25.70	24.50
13	24.00	27.70	26.50
14	26.00	29.70	28.50
15	28.00	31.70	30.50

Material (材料)

Housing (胶壳): Nylon (尼龙) UL94- V0 (2)

符合RoHS标准
RoHS compliance

DL20013-A (PHC-A)



Circuits (电路)	Dimensions (尺寸mm)		
	A	B	C
2	2.00	6.00	5.70
3	4.00	8.00	7.70
4	6.00	10.00	9.70
5	8.00	12.00	11.70
6	10.00	14.00	13.70
7	12.00	16.00	15.70
8	14.00	18.00	17.70
9	16.00	20.00	19.70
10	18.00	22.00	21.70
11	20.00	24.00	23.70
12	22.00	26.00	25.70
13	24.00	28.00	27.70
14	26.00	30.00	29.70
15	28.00	32.00	31.70

Material (材料)
Housing (胶壳): Nylon (尼龙) UL94-V0 (2)
Wafer (接触件): Brass (黄铜) / Tin plated (镀锡)

符合RoHS标准
RoHS compliance
注: 镀金产品请联系DLL
Note: Contact DLL for gold-plated products.