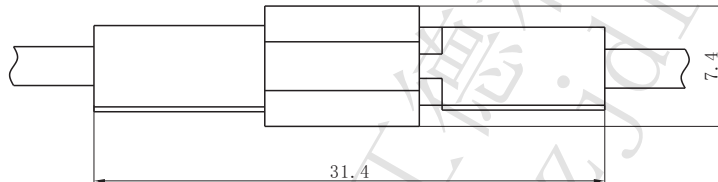


**技术特性/Specifications:**

额定电压 Rated voltage: 250V AC, DC  
 额定电流 Rated current: 5A AC, DC  
 接触电阻 Contact resistance: 20mΩ max  
 绝缘电阻 Insulation resistance: 1000MΩ min  
 耐压 Withstand voltage: 1500V AC/minute  
 环境温度 Ambient temperature: -25°C~+85°C  
 适用线规 Wire range: AWG#28~#20

**PC电路板布局和组件布局 PC board layout and Assembly layout**

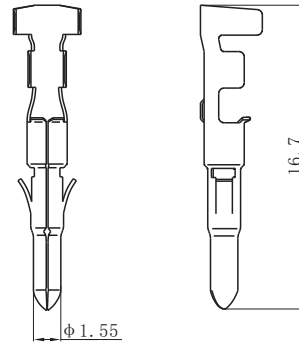
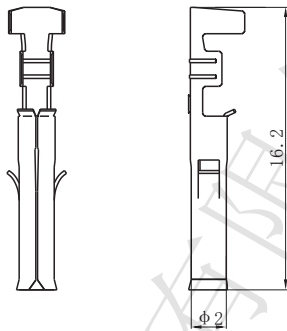
▣ Assembly layout (装配布局)



上图为连接器安装侧观察图  
 Notes: The above figure is the figure viewed from the connector mounting side.

□ DL37001-T (5500-T)

□ DL37001-RT (5600-RT)

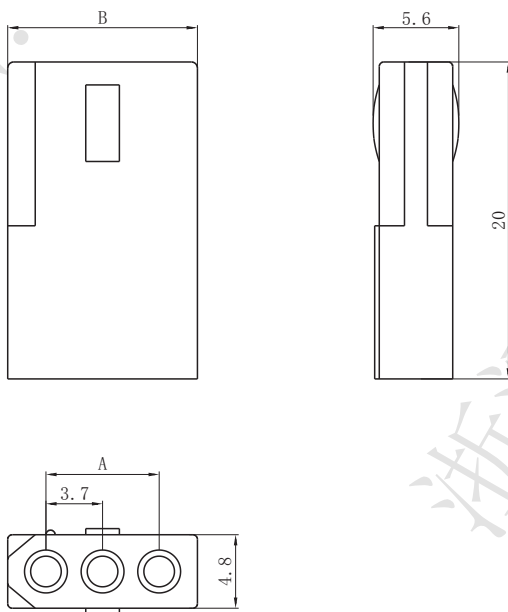


Model No. (型号)	Applicable wire (适用线规)			Material (材料)	Plating (电镀)	Qty/reel (数量/盘)
	mm <sup>2</sup>	AWG#	Insulation O.D. (绝缘外径mm)			
DL37001-T (5500-T)	0.08~0.52	28~20	φ 0.9~1.9	Phosphor bronze (磷青铜)	Tin Plated (镀锡)	5000
DL37001-RT (5600-RT)	0.08~0.52	28~20	φ 0.9~1.9	Phosphor bronze (磷青铜)	Tin Plated (镀锡)	5000

符合RoHS标准  
RoHS compliance  
注：镀金产品请联系DLL  
Note: Contact DLL for gold-plated products.

□ DL37001-Y (5500-Y)

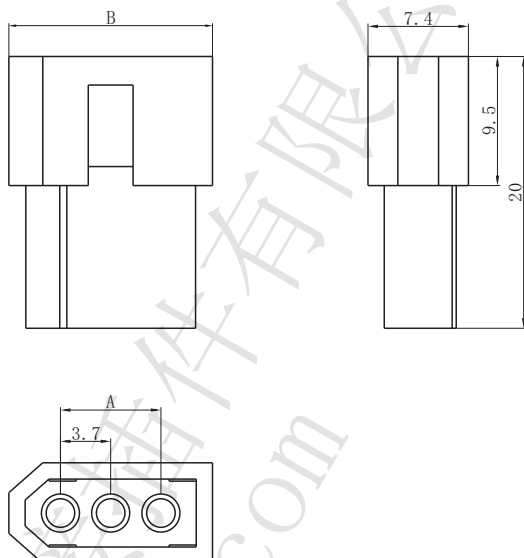
Circuits (电路)	Dimensions (尺寸mm)	
	A	B
2	3.70	8.70
3	7.40	12.40



Material (材料)
Housing (胶壳): Nylon (尼龙) UL94-V0 (2)

符合RoHS标准  
RoHS compliance

□ DL37001-R (5600-R)



Circuits (电路)	Dimensions (尺寸mm)	
	A	B
2	3.70	11.30
3	7.40	15.00

Material (材料)
Housing (胶壳): Nylon (尼龙) UL94-V0 (2)

符合RoHS标准  
RoHS compliance