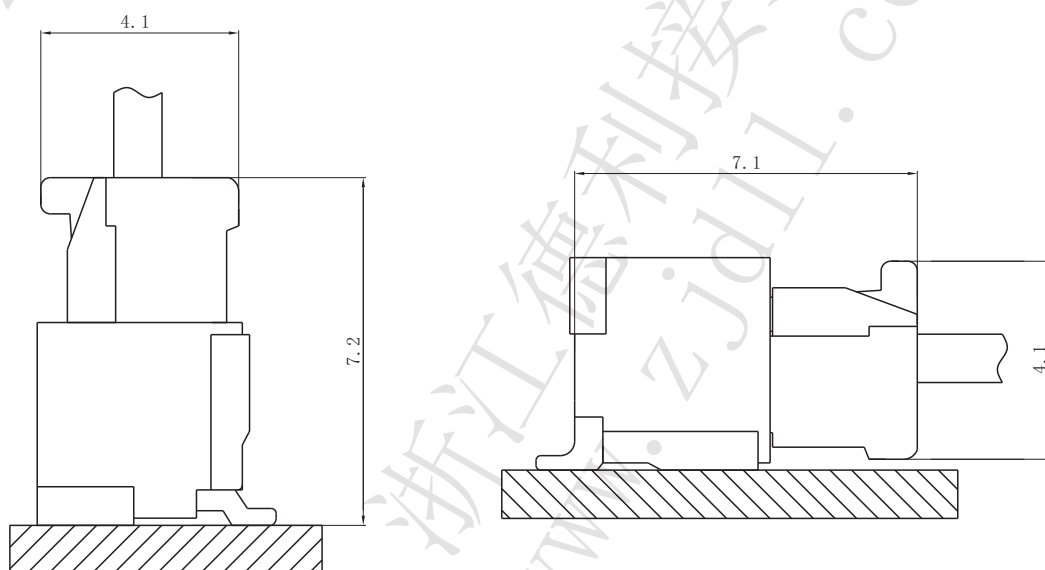


技术特性/Specifications:

额定电压 Rated voltage: 50V AC, DC
 额定电流 Rated current: 1A AC, DC
 接触电阻 Contact resistance: 30mΩ max
 绝缘电阻 Insulation resistance: 100MΩ min
 耐压 Withstand voltage: 500V AC/minute
 环境温度 Ambient temperature: -25°C~+85°C
 适用线规 Wire range: AWG#30~#26

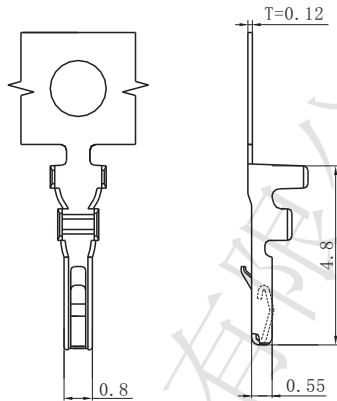
PC电路板布局和组件布局 PC board layout and Assembly layout

▣ Assembly layout (装配布局)



上图为连接器安装侧观察图
 Notes: The above figure is the figure viewed from the connector mounting side.

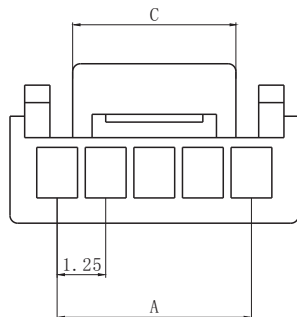
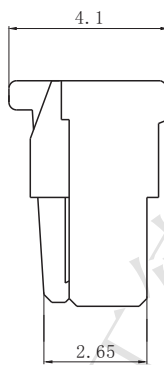
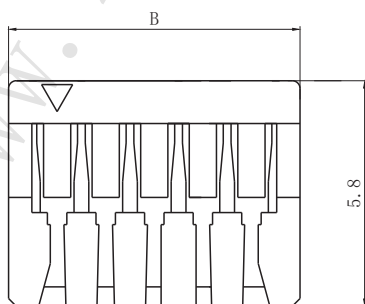
□ DL12503-T (GH-T)



Model No. (型号)	Applicable wire (适用线规)			Material (材料)	Plating (电镀)	Qty/reel (数量/盘)
	mm ²	AWG#	Insulation O.D. (绝缘外径mm)			
DL12503-T (GH-T)	0.032~0.08	30~26	φ 0.7~1.0	Phosphor bronze (磷青铜)	Tin Plated (镀锡)	15000

符合RoHS标准
RoHS compliance
注：镀金产品请联系DLL
Note: Contact DLL for gold-plated products.

□ DL12503-Y (GH-Y)



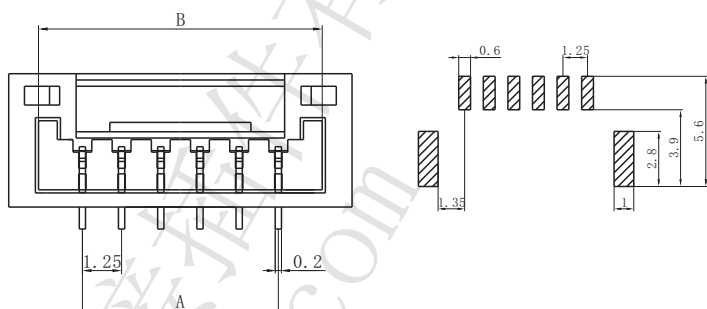
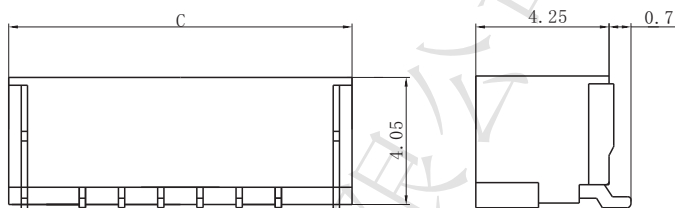
Circuits (电路)	Dimensions (尺寸mm)		
	A	B	C
2	1.25	3.75	2.00
3	2.50	5.00	3.00
4	3.75	6.25	4.25
5	5.00	7.50	4.25
6	6.25	8.75	6.25
7	7.50	10.00	6.25
8	8.75	11.25	6.25
9	10.00	12.50	6.25
10	11.25	13.75	8.25
11	12.50	15.00	8.25
12	13.75	16.25	8.25
13	15.00	17.50	8.25
14	16.25	18.75	8.25
15	17.50	20.00	8.25
16	18.75	21.25	8.25
17	20.00	22.50	8.25
18	21.25	23.75	8.25
19	22.50	25.00	8.25
20	23.75	26.25	8.25

Material (材料)

Housing (胶壳): Nylon (尼龙) UL94- V0 (2)

符合RoHS标准
RoHS compliance

□ DL12503-2-7AB (GH-2-7AB)



Circuits (电路)	Dimensions (尺寸mm)		
	A	B	C
2	1.25	3.85	5.75
3	2.50	5.10	7.00
4	3.75	6.35	8.25
5	5.00	7.60	9.50
6	6.25	8.85	10.75
7	7.50	10.10	12.00

Material (材料)

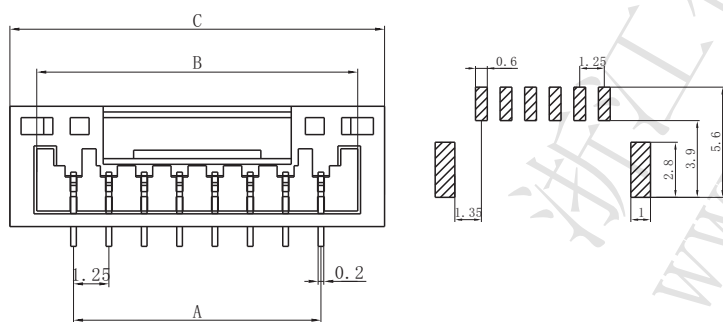
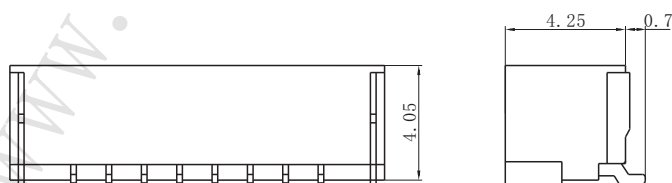
Housing (胶壳): LCP UL94-V0

Wafer (接触件): Phosphor bronze (磷青铜) / Tin plated (镀锡)

Solder tabs (焊片): Phosphor bronze (磷青铜) / Tin plated (镀锡)

符合RoHS标准
RoHS compliance
注: 镀金产品请联系DLL
Note: Contact DLL for gold-plated products.

□ DL12503-8-20AB (GH-8-20AB)



Circuits (电路)	Dimensions (尺寸mm)		
	A	B	C
8	8.75	11.35	13.25
9	10.00	12.60	14.50
10	11.25	13.85	15.75
11	12.50	15.10	17.00
12	13.75	16.35	18.25
13	15.00	17.60	19.50
14	16.25	18.85	20.75
15	17.50	20.10	22.00
16	18.75	21.35	23.25
17	20.00	22.60	24.50
18	21.25	23.85	25.75
19	22.50	25.10	27.00
20	23.75	26.35	28.25

Material (材料)

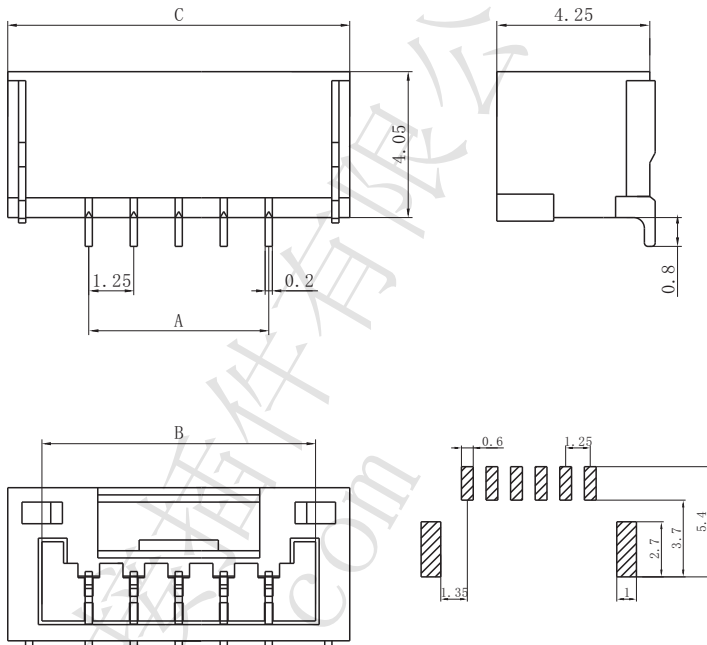
Housing (胶壳): LCP UL94-V0

Wafer (接触件): Phosphor bronze (磷青铜) / Tin plated (镀锡)

Solder tabs (焊片): Phosphor bronze (磷青铜) / Tin plated (镀锡)

符合RoHS标准
RoHS compliance
注: 镀金产品请联系DLL
Note: Contact DLL for gold-plated products.

□ DL12503-2-7AWB (GH-2-7AWB)



Circuits (电路)	Dimensions (尺寸mm)		
	A	B	C
2	1.25	3.85	5.75
3	2.50	5.10	7.00
4	3.75	6.35	8.25
5	5.00	7.60	9.50
6	6.25	8.85	10.75
7	7.50	10.10	12.00

Material (材料)

Housing (胶壳): LCP UL94-V0

Wafer (接触件): Phosphor bronze (磷青铜) / Tin plated (镀锡)

Solder tabs (焊片): Phosphor bronze (磷青铜) / Tin plated (镀锡)

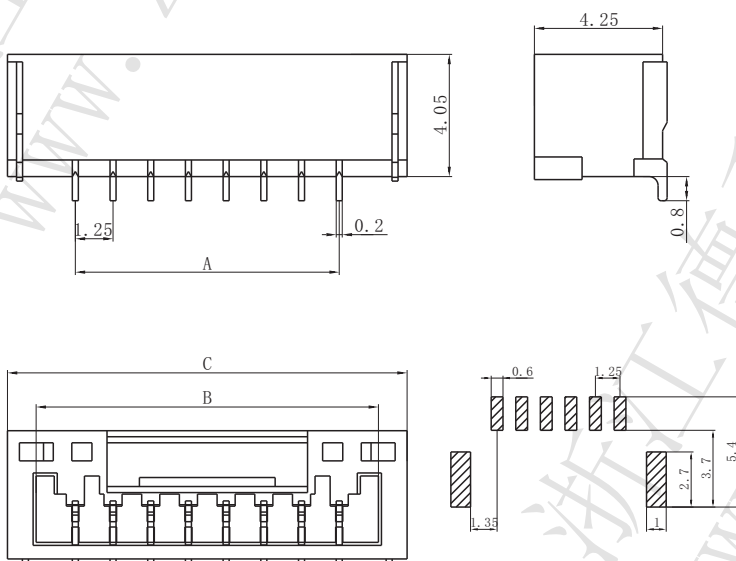
符合RoHS标准

RoHS compliance

注: 镀金产品请联系DLL

Note: Contact DLL for gold-plated products.

□ DL12503-8-20AWB (GH-8-20AWB)



Circuits (电路)	Dimensions (尺寸mm)		
	A	B	C
8	8.75	11.35	13.25
9	10.00	12.60	14.50
10	11.25	13.85	15.75
11	12.50	15.10	17.00
12	13.75	16.35	18.25
13	15.00	17.60	19.50
14	16.25	18.85	20.75
15	17.50	20.10	22.00
16	18.75	21.35	23.25
17	20.00	22.60	24.50
18	21.25	23.85	25.75
19	22.50	25.10	27.00
20	23.75	26.35	28.25

Material (材料)

Housing (胶壳): LCP UL94-V0

Wafer (接触件): Phosphor bronze (磷青铜) / Tin plated (镀锡)

Solder tabs (焊片): Phosphor bronze (磷青铜) / Tin plated (镀锡)

符合RoHS标准

RoHS compliance

注: 镀金产品请联系DLL

Note: Contact DLL for gold-plated products.