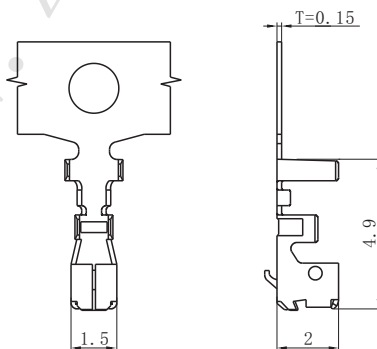


**技术特性/Specifications:**

额定电压 Rated voltage: 125V AC, DC  
 额定电流 Rated current: 2A AC, DC  
 接触电阻 Contact resistance: 20mΩ max  
 绝缘电阻 Insulation resistance: 1000MΩ min  
 耐压 Withstand voltage: 500V AC/minute  
 环境温度 Ambient temperature: -25°C~+85°C  
 适用线规 Wire range: AWG#30~#24

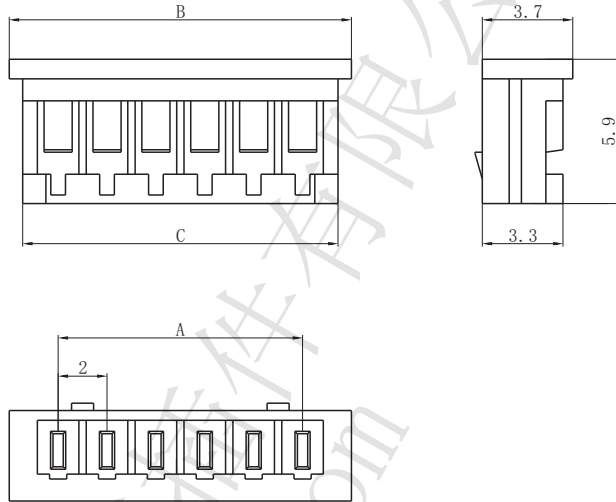
□ DL20007-T (51004-T)



Model No. (型号)	Applicable wire (适用线规)			Material (材料)	Plating (电镀)	Qty/reel (数量/盘)
	mm <sup>2</sup>	AWG#	Insulation O.D. (绝缘外径mm)			
DL20007-T (51004-T)	0.05~0.22	30~24	φ 0.8~1.4	Phosphor bronze (磷青铜)	Tin Plated (镀锡)	10000

符合RoHS标准  
 RoHS compliance  
 注: 镀金产品请联系DLL  
 Note: Contact DLL for gold-plated products.

□ DL20007-Y (51004-Y)



Circuits (电路)	Dimensions (尺寸mm)		
	A	B	C
2	2.00	6.00	4.90
3	4.00	8.00	6.90
4	6.00	10.00	8.90
5	8.00	12.00	10.90
6	10.00	14.00	12.90
7	12.00	16.00	14.90
8	14.00	18.00	16.90
9	16.00	20.00	18.90
10	18.00	22.00	20.90
11	20.00	24.00	22.90
12	22.00	26.00	24.90
13	24.00	28.00	26.90
14	26.00	30.00	28.90
15	28.00	32.00	30.90

Material (材料)

Housing (胶壳): Nylon (尼龙) UL94- V0 (2)

符合RoHS标准  
RoHS compliance