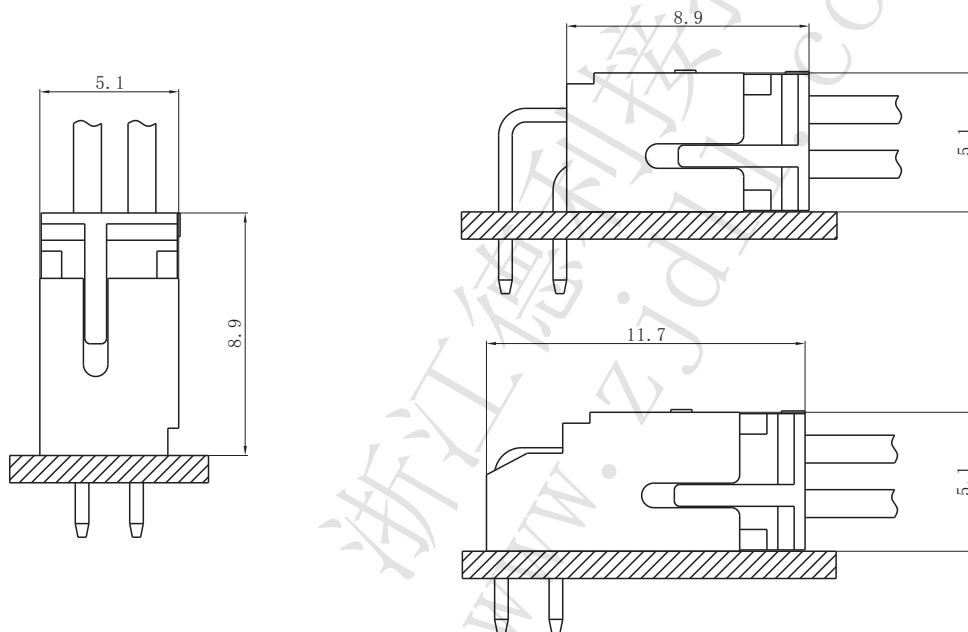


技术特性/Specifications:

额定电压 Rated voltage: 250V AC, DC
 额定电流 Rated current: 3A AC, DC
 接触电阻 Contact resistance: 20mΩ max
 绝缘电阻 Insulation resistance: 1000MΩ min
 耐压 Withstand voltage: 1000V AC/minute
 环境温度 Ambient temperature: -25°C~+85°C
 适用线规 Wire range: AWG#26~#22

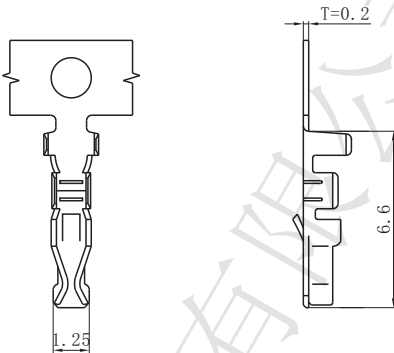
PC电路板布局和组件布局 PC board layout and Assembly layout

▣ Assembly layout (装配布局)



上图为连接器安装侧观察图
 Notes: The above figure is the figure viewed from the connector mounting side.

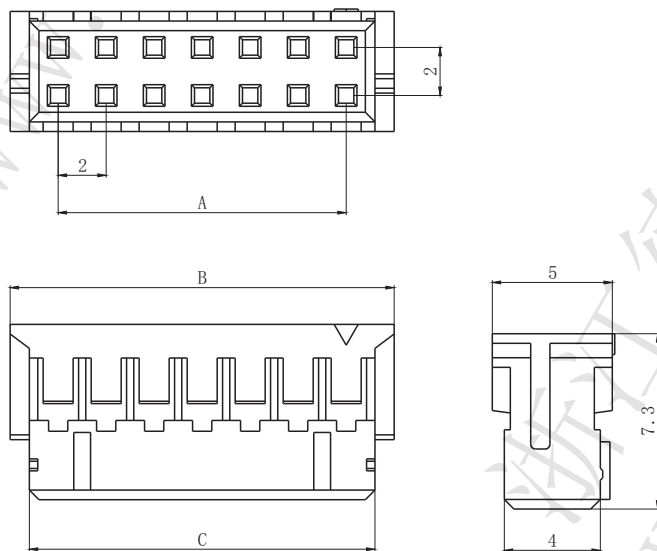
□ DL20004-T (PHD-T)



Model No. (型号)	Applicable wire (适用线规)			Material (材料)	Plating (电镀)	Qty/reel (数量/盘)
	mm ²	AWG#	Insulation O.D. (绝缘外径mm)			
DL20004-T (PHD-T)	0.08~0.33	26~22	φ 0.9~1.5	Phosphor bronze (磷青铜)	Tin Plated (镀锡)	12000

符合RoHS标准
RoHS compliance
注：镀金产品请联系DLL
Note: Contact DLL for gold-plated products.

□ DL20004-Y (PHD-Y)



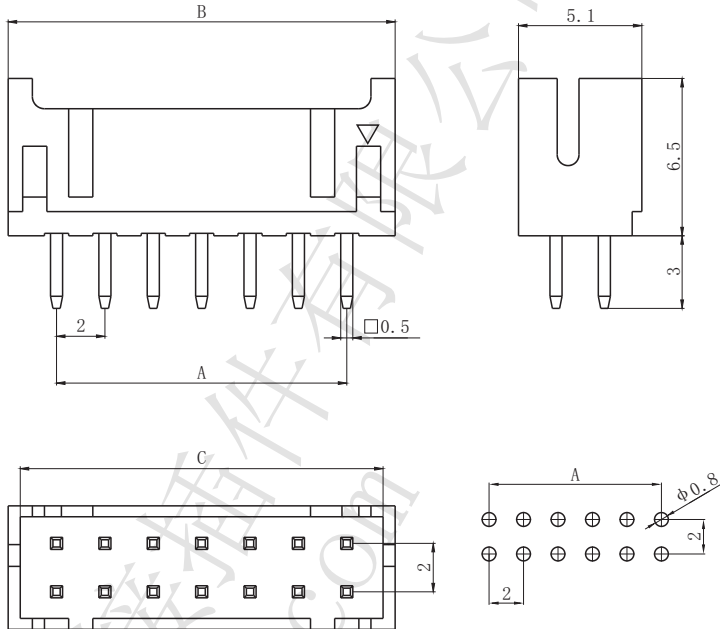
Circuits (电路)	Dimensions (尺寸mm)		
	A	B	C
2X2	2.00	6.00	4.60
2X3	4.00	8.00	6.60
2X4	6.00	10.00	8.60
2X5	8.00	12.00	10.60
2X6	10.00	14.00	12.60
2X7	12.00	16.00	14.60
2X8	14.00	18.00	16.60
2X9	16.00	20.00	18.60
2X10	18.00	22.00	20.60
2X11	20.00	24.00	22.60
2X12	22.00	26.00	24.60
2X13	24.00	28.00	26.60
2X14	26.00	30.00	28.60
2X15	28.00	32.00	30.60
2X16	30.00	34.00	32.60
2X17	32.00	36.00	34.60
2X18	34.00	38.00	36.60
~	~	~	~
2X30	58.00	62.00	60.60

Material (材料)

Housing (胶壳): Nylon (尼龙) UL94- V0 (2)

符合RoHS标准
RoHS compliance

DL20004-A (PHD-A)



Circuits (电路)	Dimensions (尺寸mm)		
	A	B	C
2X2	2.00	6.00	5.00
2X3	4.00	8.00	7.00
2X4	6.00	10.00	9.00
2X5	8.00	12.00	11.00
2X6	10.00	14.00	13.00
2X7	12.00	16.00	15.00
2X8	14.00	18.00	17.00
2X9	16.00	20.00	19.00
2X10	18.00	22.00	21.00
2X11	20.00	24.00	23.00
2X12	22.00	26.00	25.00
2X13	24.00	28.00	27.00
2X14	26.00	30.00	29.00
2X15	28.00	32.00	31.00
2X16	30.00	34.00	33.00
2X17	32.00	36.00	35.00
2X18	34.00	38.00	37.00
~	~	~	~
2X30	58.00	62.00	61.00

Material (材料)

Housing (胶壳): Nylon (尼龙) UL94- V0 (2)

Wafer (接触件): Brass (黄铜) / Tin plated (镀锡)

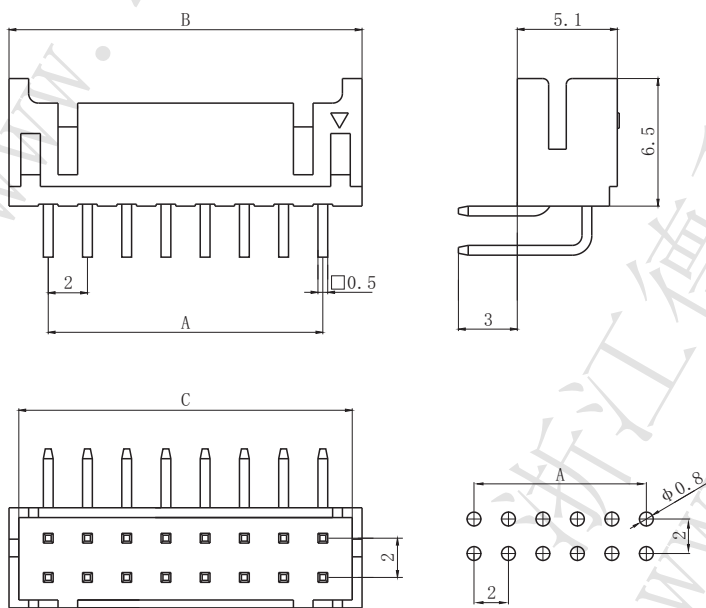
符合RoHS标准

RoHS compliance

注: 镀金产品请联系DLL

Note: Contact DLL for gold-plated products.

DL20004-AW (PHD-AW)



Circuits (电路)	Dimensions (尺寸mm)		
	A	B	C
2X2	2.00	6.00	5.00
2X3	4.00	8.00	7.00
2X4	6.00	10.00	9.00
2X5	8.00	12.00	11.00
2X6	10.00	14.00	13.00
2X7	12.00	16.00	15.00
2X8	14.00	18.00	17.00
2X9	16.00	20.00	19.00
2X10	18.00	22.00	21.00
2X11	20.00	24.00	23.00
2X12	22.00	26.00	25.00
2X13	24.00	28.00	27.00
2X14	26.00	30.00	29.00
2X15	28.00	32.00	31.00
2X16	30.00	34.00	33.00
2X17	32.00	36.00	35.00
2X18	34.00	38.00	37.00
~	~	~	~
2X30	58.00	62.00	61.00

Material (材料)

Housing (胶壳): Nylon (尼龙) UL94- V0 (2)

Wafer (接触件): Brass (黄铜) / Tin plated (镀锡)

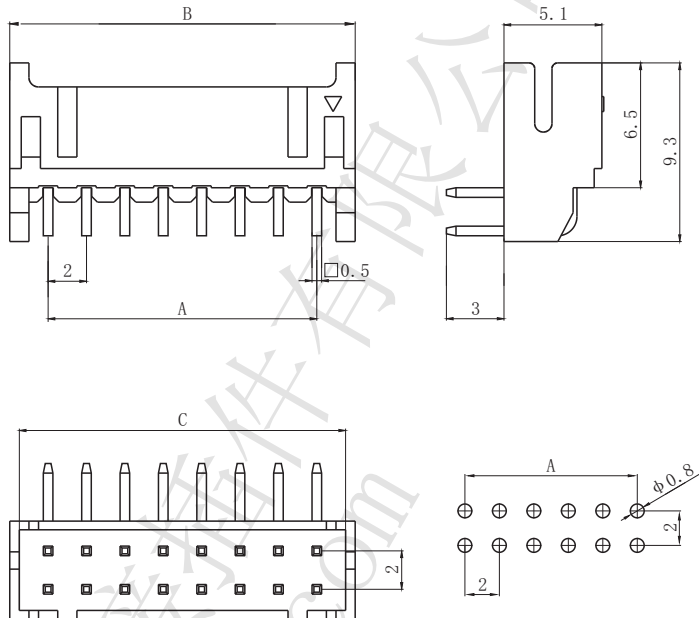
符合RoHS标准

RoHS compliance

注: 镀金产品请联系DLL

Note: Contact DLL for gold-plated products.

DL20004-AWD (PHD-AWD)



Circuits (电路)	Dimensions (尺寸mm)		
	A	B	C
2X2	2.00	6.00	5.00
2X3	4.00	8.00	7.00
2X4	6.00	10.00	9.00
2X5	8.00	12.00	11.00
2X6	10.00	14.00	13.00
2X7	12.00	16.00	15.00
2X8	14.00	18.00	17.00
2X9	16.00	20.00	19.00
2X10	18.00	22.00	21.00
2X11	20.00	24.00	23.00
2X12	22.00	26.00	25.00
2X13	24.00	28.00	27.00
2X14	26.00	30.00	29.00
2X15	28.00	32.00	31.00
2X16	30.00	34.00	33.00
2X17	32.00	36.00	35.00
2X18	34.00	38.00	37.00
~	~	~	~
2X30	58.00	62.00	61.00

Material (材料)

Housing (胶壳): Nylon (尼龙) UL94- V0 (2)

Wafer (接触件): Brass (黄铜) / Tin plated (镀锡)

符合RoHS标准

RoHS compliance

注: 镀金产品请联系DLL

Note: Contact DLL for gold-plated products.