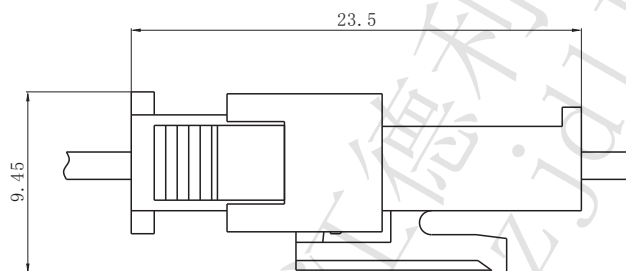


**技术特性/Specifications:**

额定电压 Rated voltage: 250V AC, DC  
 额定电流 Rated current: 3A AC, DC  
 接触电阻 Contact resistance: 20mΩ max  
 绝缘电阻 Insulation resistance: 1000MΩ min  
 耐压 Withstand voltage: 1000V AC/minute  
 环境温度 Ambient temperature: -25°C~+85°C  
 适用线规 Wire range: AWG#28~#22

**PC电路板布局和组件布局 PC board layout and Assembly layout**

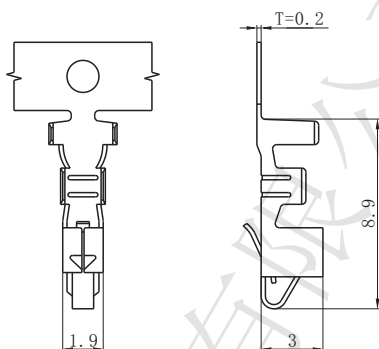
□ Assembly layout (装配布局)



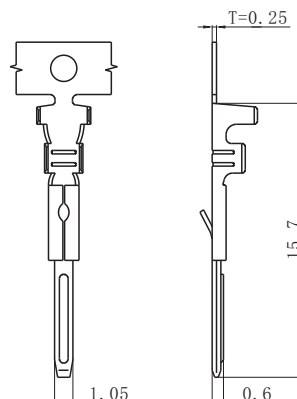
上图为连接器安装侧观察图

Notes: The above figure is the figure viewed from the connector mounting side.

□ DL25007-T (SM-T)



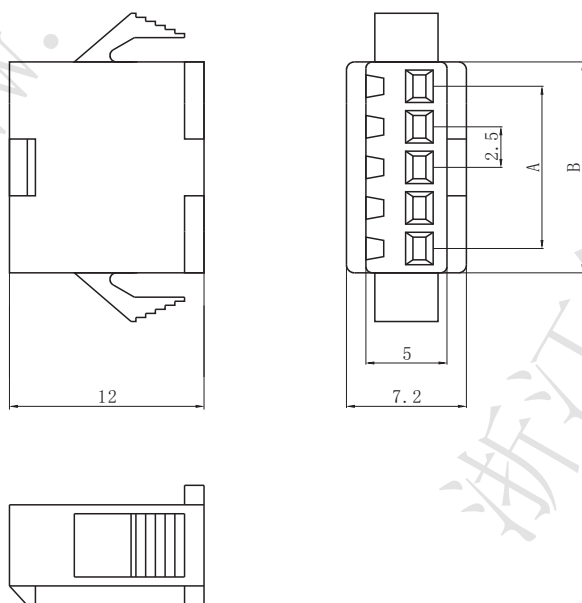
□ DL25007-RT (SM-RT)



Model No. (型号)	Applicable wire (适用线规)			Material (材料)	Plating (电镀)	Qty/reel (数量/盘)
	mm <sup>2</sup>	AWG#	Insulation O. D. (绝缘外径mm)			
DL25007-T (SM-T)	0.06~0.33	28~22	φ 1.2~1.8	Phosphor bronze (磷青铜)	Tin Plated (镀锡)	8000
DL25007-RT (SM-RT)	0.06~0.33	28~22	φ 1.2~1.8	Phosphor bronze (磷青铜)	Tin Plated (镀锡)	8000

符合RoHS标准  
RoHS compliance  
注：镀金产品请联系DLL  
Note: Contact DLL for gold-plated products.

□ DL25007-Y (SM-Y)



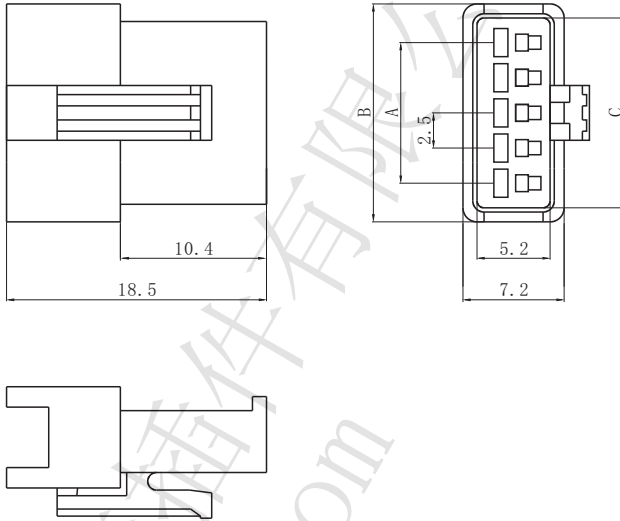
Circuits (电路)	Dimensions (尺寸mm)	
	A	B
2	2.50	5.50
3	5.00	8.00
4	7.50	10.50
5	10.00	13.00
6	12.50	15.50
7	15.00	18.00
8	17.50	20.50
9	20.00	23.00
10	22.50	25.50
11	25.00	28.00
12	27.50	30.50

Material (材料)

Housing (胶壳): Nylon (尼龙) UL94-V0 (2)

符合RoHS标准  
RoHS compliance

□ DL25007-R (SM-R)



Circuits (电路)	Dimensions (尺寸mm)		
	A	B	C
2	2.50	7.80	5.80
3	5.00	10.50	8.30
4	7.50	13.00	10.80
5	10.00	15.50	13.30
6	12.50	18.00	15.80
7	15.00	20.50	18.30
8	17.50	23.00	20.80
9	20.00	25.50	23.30
10	22.50	28.00	25.80
11	25.00	30.50	28.30
12	27.50	33.00	30.80

Material (材料)

Housing (胶壳): Nylon (尼龙) UL94-V0 (2)

符合RoHS标准  
RoHS compliance