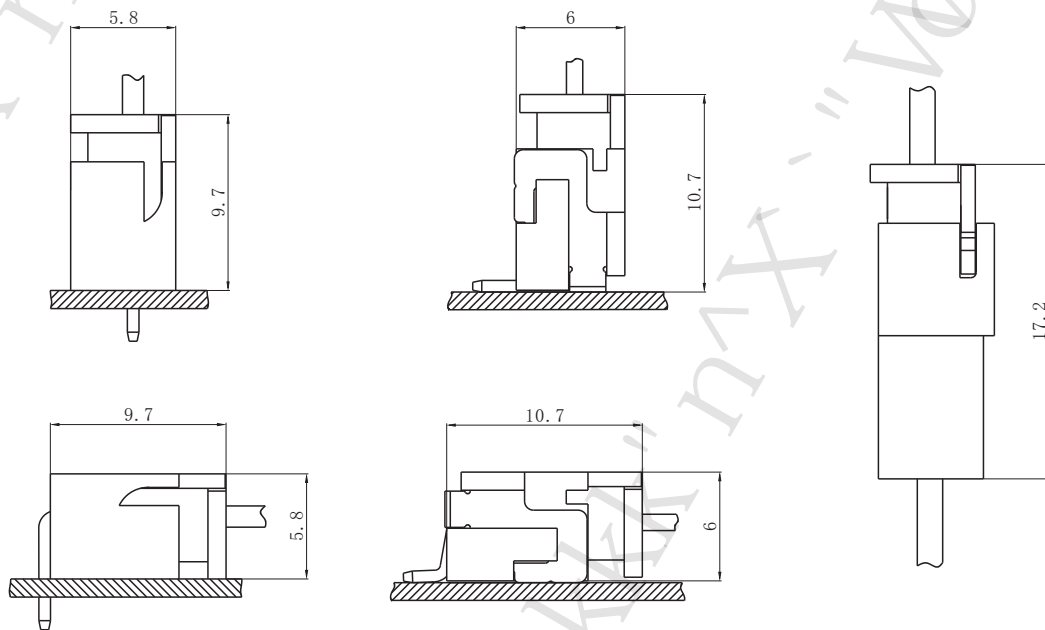


技术特性/Specifications:

额定电压 Rated voltage: 250V AC, DC
 额定电流 Rated current: 3A AC, DC
 接触电阻 Contact resistance: 20mΩ max
 绝缘电阻 Insulation resistance: 1000MΩ min
 耐压 Withstand voltage: 1000V AC/minute
 环境温度 Ambient temperature: -25°C~+85°C
 适用线规 Wire range: AWG#28~#22

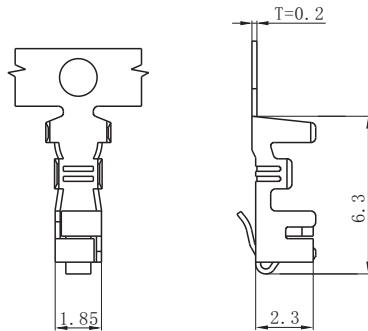
PC电路板布局和组件布局 PC board layout and Assembly layout

▣ Assembly layout (装配布局)

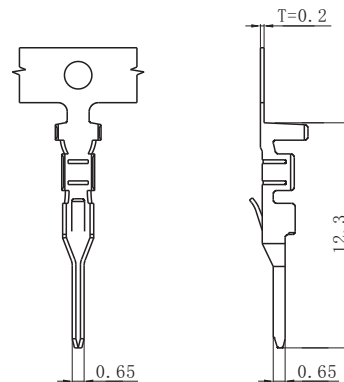


上图为连接器安装侧观察图
Notes: The above figure is the figure viewed from the connector mounting side.

□ DL25001-T (TJC3-T)



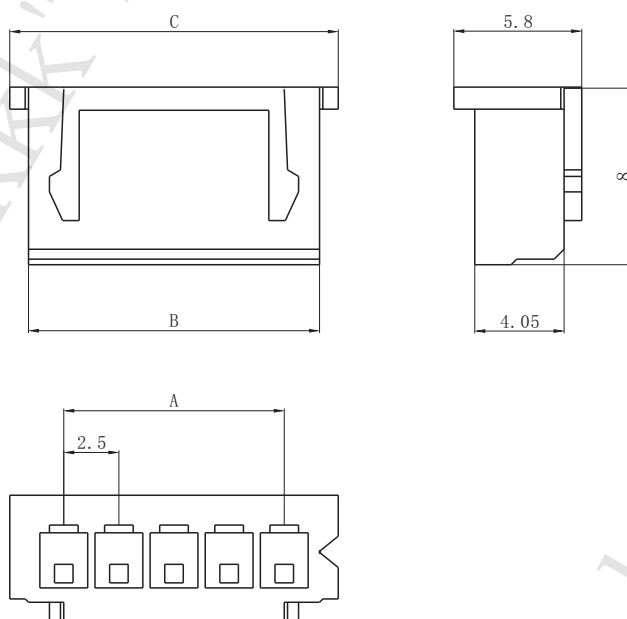
□ DL25001-RT (TJC3-RT)



Model No. (型号)	Applicable wire (适用线规)			Material (材料)	Plating (电镀)	Qty/reel (数量/盘)
	mm ²	AWG#	Insulation O.D. (绝缘外径mm)			
DL25001-T (TJC3-T)	0.08~0.33	28~22	φ1.2~1.9	Phosphor bronze (磷青铜)	Tin Plated (镀锡)	7000
DL25001-RT (TJC3-RT)	0.08~0.33	28~22	φ1.2~1.9	Phosphor bronze (磷青铜)	Tin Plated (镀锡)	7000

符合RoHS标准
RoHS compliance
注：镀金产品请联系DLL
Note: Contact DLL for gold-plated products.

□ DL25001-Y (TJC3-Y)



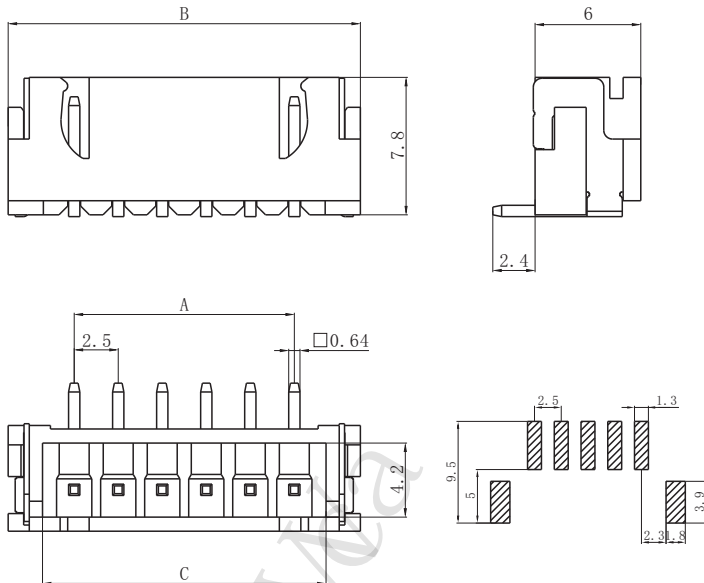
Circuits (电路)	Dimensions (尺寸mm)		
	A	B	C
2	2.50	5.70	7.30
3	5.00	8.20	9.80
4	7.50	10.70	12.30
5	10.00	13.20	14.80
6	12.50	15.70	17.30
7	15.00	18.20	19.80
8	17.50	20.70	22.30
9	20.00	23.20	24.80
10	22.50	25.70	27.30
11	25.00	28.20	29.80
12	27.50	30.70	32.30
13	30.00	33.20	34.80
14	32.50	35.70	37.30
15	35.00	38.20	39.80
16	37.50	40.70	42.30
17	40.00	43.20	44.80
18	42.50	45.70	47.30
19	45.00	48.20	49.80
20	47.50	50.70	52.30

Material (材料)

Housing (胶壳): Nylon (尼龙) UL94- V0 (2)

符合RoHS标准
RoHS compliance

DL25001-AB (TJC3-AB)



Circuits (电路)	Dimensions (尺寸mm)		
	A	B	C
2	2.50	10.00	5.95
3	5.00	12.50	8.45
4	7.50	15.00	10.95
5	10.00	17.50	13.45
6	12.50	20.00	15.95
7	15.00	22.50	18.45
8	17.50	25.00	20.95
9	20.00	27.50	23.45
10	22.50	30.00	25.95
11	25.00	32.50	28.45
12	27.50	35.00	30.95
13	30.00	37.50	33.45
14	32.50	40.00	35.95
15	35.00	42.50	38.45
16	37.50	45.00	40.95
17	40.00	47.50	43.45
18	42.50	50.00	45.95
19	45.00	52.50	48.45
20	47.50	55.00	50.95

Material (材料)

Housing (胶壳): LCP UL94-V0

Wafer (接触件): Brass (黄铜)/Tin plated (镀锡)

Solder tabs (焊片): Brass (黄铜)/Tin plated (镀锡)

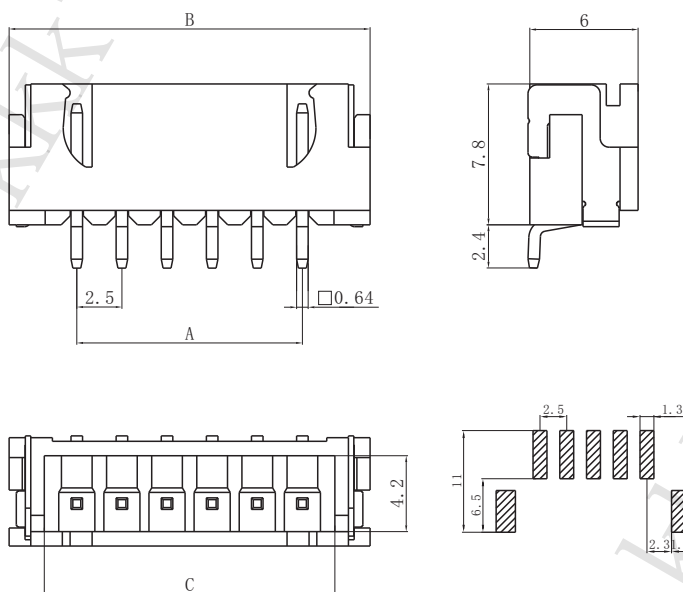
符合RoHS标准

RoHS compliance

注: 镀金产品请联系DLL

Note: Contact DLL for gold-plated products.

DL25001-AWB (TJC3-AWB)



Circuits (电路)	Dimensions (尺寸mm)		
	A	B	C
2	2.50	10.00	5.95
3	5.00	12.50	8.45
4	7.50	15.00	10.95
5	10.00	17.50	13.45
6	12.50	20.00	15.95
7	15.00	22.50	18.45
8	17.50	25.00	20.95
9	20.00	27.50	23.45
10	22.50	30.00	25.95
11	25.00	32.50	28.45
12	27.50	35.00	30.95
13	30.00	37.50	33.45
14	32.50	40.00	35.95
15	35.00	42.50	38.45
16	37.50	45.00	40.95
17	40.00	47.50	43.45
18	42.50	50.00	45.95
19	45.00	52.50	48.45
20	47.50	55.00	50.95

Material (材料)

Housing (胶壳): LCP UL94-V0

Wafer (接触件): Brass (黄铜)/Tin plated (镀锡)

Solder tabs (焊片): Brass (黄铜)/Tin plated (镀锡)

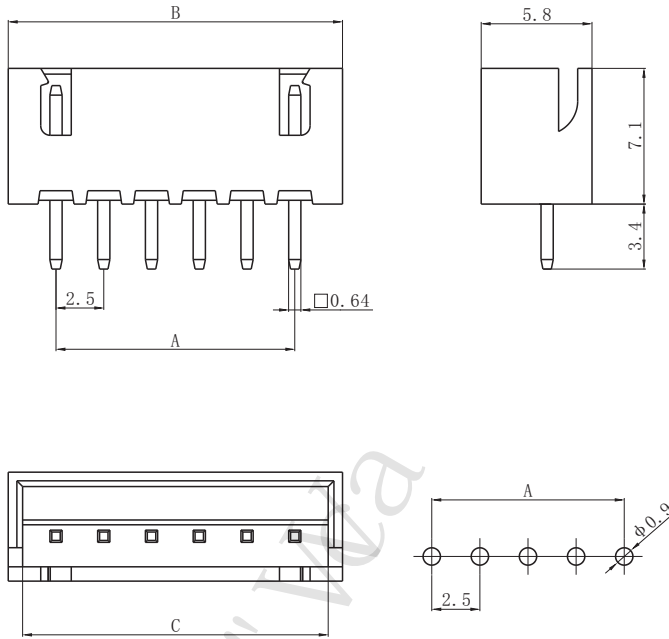
符合RoHS标准

RoHS compliance

注: 镀金产品请联系DLL

Note: Contact DLL for gold-plated products.

□ DL25001-A (TJC3-A)



Circuits (电路)	Dimensions (尺寸mm)		
	A	B	C
2	2.50	7.50	6.00
3	5.00	10.00	8.50
4	7.50	12.50	11.00
5	10.00	15.00	13.50
6	12.50	17.50	16.00
7	15.00	20.00	18.50
8	17.50	22.50	21.00
9	20.00	25.00	23.50
10	22.50	27.50	26.00
11	25.00	30.00	28.50
12	27.50	32.50	31.00
13	30.00	35.00	33.50
14	32.50	37.50	36.00
15	35.00	40.00	38.50
16	37.50	42.50	41.00
17	40.00	45.00	43.50
18	42.50	47.50	46.00
19	45.00	50.00	48.50
20	47.50	52.50	51.00

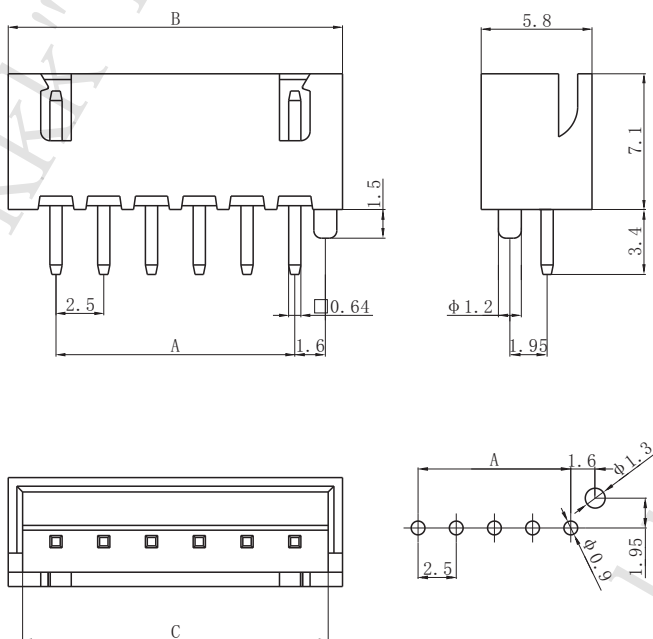
Material (材料)

Housing (胶壳): Nylon (尼龙) UL94- V0 (2)

Wafer (接触件): Brass (黄铜) / Tin plated (镀锡)

符合RoHS标准
RoHS compliance
注: 镀金产品请联系DLL
Note: Contact DLL for gold-plated products.

□ DL25001-AS (TJC3-AS)



Circuits (电路)	Dimensions (尺寸mm)		
	A	B	C
2	2.50	7.50	6.00
3	5.00	10.00	8.50
4	7.50	12.50	11.00
5	10.00	15.00	13.50
6	12.50	17.50	16.00
7	15.00	20.00	18.50
8	17.50	22.50	21.00
9	20.00	25.00	23.50
10	22.50	27.50	26.00
11	25.00	30.00	28.50
12	27.50	32.50	31.00
13	30.00	35.00	33.50
14	32.50	37.50	36.00
15	35.00	40.00	38.50
16	37.50	42.50	41.00
17	40.00	45.00	43.50
18	42.50	47.50	46.00
19	45.00	50.00	48.50
20	47.50	52.50	51.00

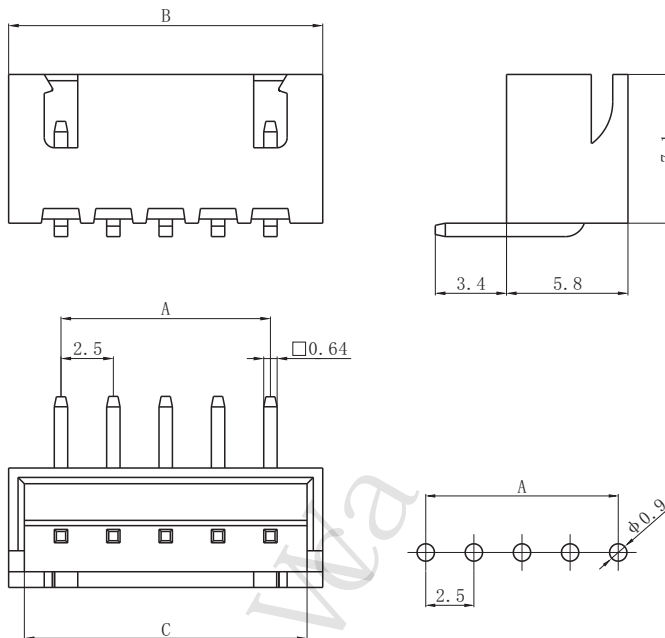
Material (材料)

Housing (胶壳): Nylon (尼龙) UL94- V0 (2)

Wafer (接触件): Brass (黄铜) / Tin plated (镀锡)

符合RoHS标准
RoHS compliance
注: 镀金产品请联系DLL
Note: Contact DLL for gold-plated products.

□ DL25001-AW (TJC3-AW)



Circuits (电路)	Dimensions (尺寸mm)		
	A	B	C
2	2.50	7.50	6.00
3	5.00	10.00	8.50
4	7.50	12.50	11.00
5	10.00	15.00	13.50
6	12.50	17.50	16.00
7	15.00	20.00	18.50
8	17.50	22.50	21.00
9	20.00	25.00	23.50
10	22.50	27.50	26.00
11	25.00	30.00	28.50
12	27.50	32.50	31.00
13	30.00	35.00	33.50
14	32.50	37.50	36.00
15	35.00	40.00	38.50
16	37.50	42.50	41.00
17	40.00	45.00	43.50
18	42.50	47.50	46.00
19	45.00	50.00	48.50
20	47.50	52.50	51.00

Material (材料)

Housing (胶壳): Nylon (尼龙) UL94- V0 (2)

Wafer (接触件): Brass (黄铜) / Tin plated (镀锡)

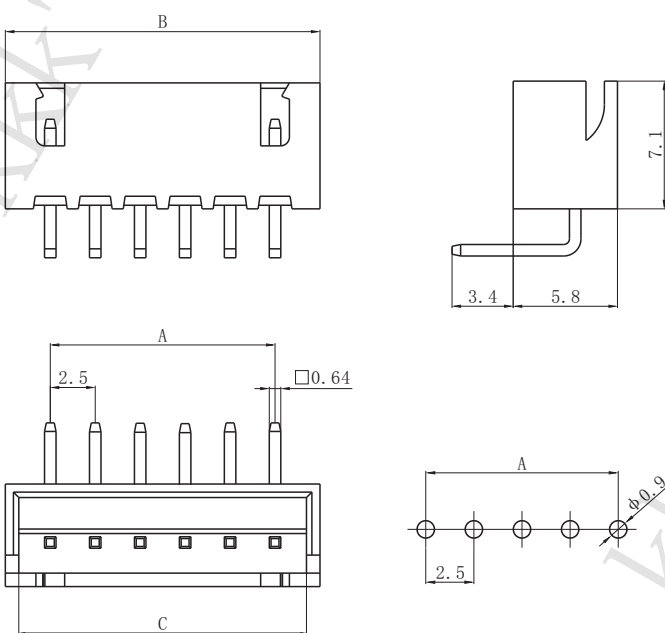
符合RoHS标准

RoHS compliance

注: 镀金产品请联系DLL

Note: Contact DLL for gold-plated products.

□ DL25001-AWT (TJC3-AWT)



Circuits (电路)	Dimensions (尺寸mm)		
	A	B	C
2	2.50	7.50	6.00
3	5.00	10.00	8.50
4	7.50	12.50	11.00
5	10.00	15.00	13.50
6	12.50	17.50	16.00
7	15.00	20.00	18.50
8	17.50	22.50	21.00
9	20.00	25.00	23.50
10	22.50	27.50	26.00
11	25.00	30.00	28.50
12	27.50	32.50	31.00
13	30.00	35.00	33.50
14	32.50	37.50	36.00
15	35.00	40.00	38.50
16	37.50	42.50	41.00
17	40.00	45.00	43.50
18	42.50	47.50	46.00
19	45.00	50.00	48.50
20	47.50	52.50	51.00

Material (材料)

Housing (胶壳): Nylon (尼龙) UL94- V0 (2)

Wafer (接触件): Brass (黄铜) / Tin plated (镀锡)

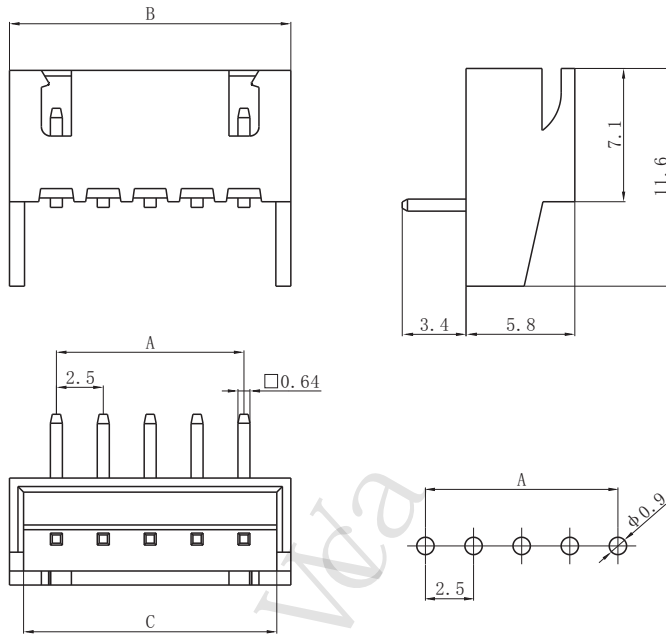
符合RoHS标准

RoHS compliance

注: 镀金产品请联系DLL

Note: Contact DLL for gold-plated products.

□ DL25001-AWD (TJC3-AWD)



Circuits (电路)	Dimensions (尺寸mm)		
	A	B	C
2	2.50	7.50	6.00
3	5.00	10.00	8.50
4	7.50	12.50	11.00
5	10.00	15.00	13.50
6	12.50	17.50	16.00
7	15.00	20.00	18.50
8	17.50	22.50	21.00
9	20.00	25.00	23.50
10	22.50	27.50	26.00
11	25.00	30.00	28.50
12	27.50	32.50	31.00
13	30.00	35.00	33.50
14	32.50	37.50	36.00
15	35.00	40.00	38.50
16	37.50	42.50	41.00
17	40.00	45.00	43.50
18	42.50	47.50	46.00
19	45.00	50.00	48.50
20	47.50	52.50	51.00

Material (材料)

Housing (胶壳): Nylon (尼龙) UL94- V0 (2)

Wafer (接触件): Brass (黄铜) / Tin plated (镀锡)

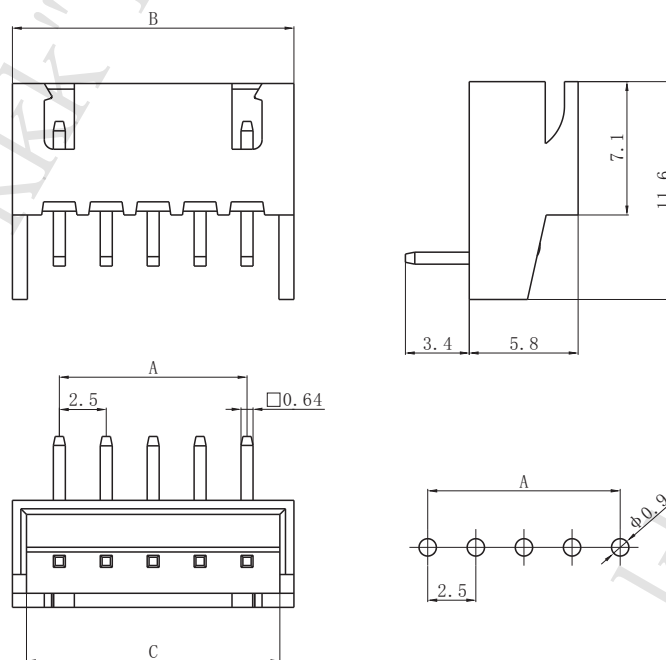
符合RoHS标准

RoHS compliance

注: 镀金产品请联系DLL

Note: Contact DLL for gold-plated products.

□ DL25001-AWF (TJC3-AWF)



Circuits (电路)	Dimensions (尺寸mm)		
	A	B	C
2	2.50	7.50	6.00
3	5.00	10.00	8.50
4	7.50	12.50	11.00
5	10.00	15.00	13.50
6	12.50	17.50	16.00
7	15.00	20.00	18.50
8	17.50	22.50	21.00
9	20.00	25.00	23.50
10	22.50	27.50	26.00
11	25.00	30.00	28.50
12	27.50	32.50	31.00
13	30.00	35.00	33.50
14	32.50	37.50	36.00
15	35.00	40.00	38.50
16	37.50	42.50	41.00
17	40.00	45.00	43.50
18	42.50	47.50	46.00
19	45.00	50.00	48.50
20	47.50	52.50	51.00

Material (材料)

Housing (胶壳): Nylon (尼龙) UL94- V0 (2)

Wafer (接触件): Brass (黄铜) / Tin plated (镀锡)

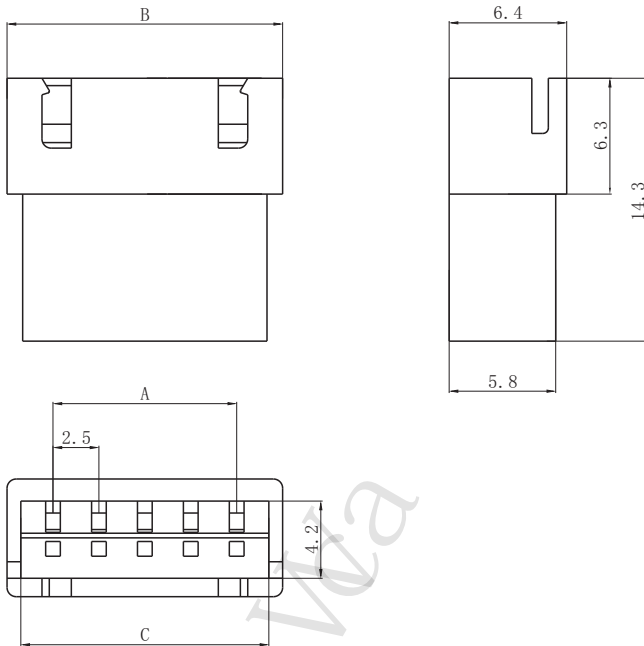
符合RoHS标准

RoHS compliance

注: 镀金产品请联系DLL

Note: Contact DLL for gold-plated products.

□ DL25001-R (TJC3-R)



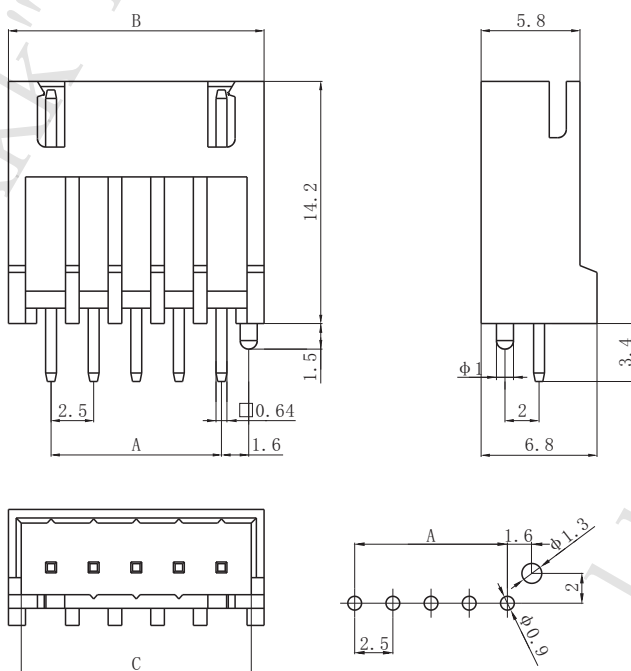
Circuits (电路)	Dimensions (尺寸mm)		
	A	B	C
2	2.50	7.50	6.00
3	5.00	10.00	8.50
4	7.50	12.50	11.00
5	10.00	15.00	13.50
6	12.50	17.50	16.00
7	15.00	20.00	18.50
8	17.50	22.50	21.00
9	20.00	25.00	23.50
10	22.50	27.50	26.00
11	25.00	30.00	28.50
12	27.50	32.50	31.00
13	30.00	35.00	33.50
14	32.50	37.50	36.00
15	35.00	40.00	38.50
16	37.50	42.50	41.00
17	40.00	45.00	43.50
18	42.50	47.50	46.00
19	45.00	50.00	48.50
20	47.50	52.50	51.00

Material (材料)

Housing (胶壳): Nylon (尼龙) UL94- V0 (2)

符合RoHS标准
RoHS compliance

□ DL25036-AS (TJC3-H-AS)



Circuits (电路)	Dimensions (尺寸mm)		
	A	B	C
2	2.50	7.50	6.00
3	5.00	10.00	8.50
4	7.50	12.50	11.00
5	10.00	15.00	13.50
6	12.50	17.50	16.00
7	15.00	20.00	18.50
8	17.50	22.50	21.00
9	20.00	25.00	23.50
10	22.50	27.50	26.00
11	25.00	30.00	28.50
12	27.50	32.50	31.00
13	30.00	35.00	33.50
14	32.50	37.50	36.00
15	35.00	40.00	38.50
16	37.50	42.50	41.00
17	40.00	45.00	43.50
18	42.50	47.50	46.00
19	45.00	50.00	48.50
20	47.50	52.50	51.00

Material (材料)

Housing (胶壳): Nylon (尼龙) UL94- V0 (2)

Wafer (接触件): Brass (黄铜) / Tin plated (镀锡)

符合RoHS标准
RoHS compliance
注: 镀金产品请联系DLL
Note: Contact DLL for gold-plated products.