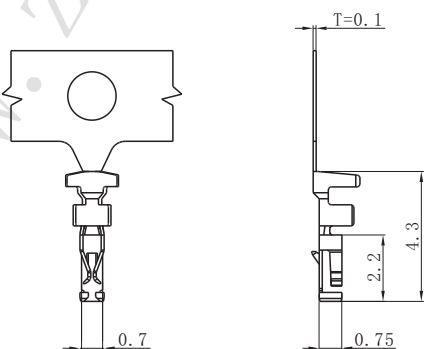


技术特性/Specifications:

额定电压 Rated voltage: 50V AC, DC
 额定电流 Rated current: 1A AC, DC
 接触电阻 Contact resistance: 20mΩ max
 绝缘电阻 Insulation resistance: 100MΩ min
 耐压 Withstand voltage: 250V AC/minute
 环境温度 Ambient temperature: -25°C~+85°C
 适用线规 Wire range: AWG#32~#28

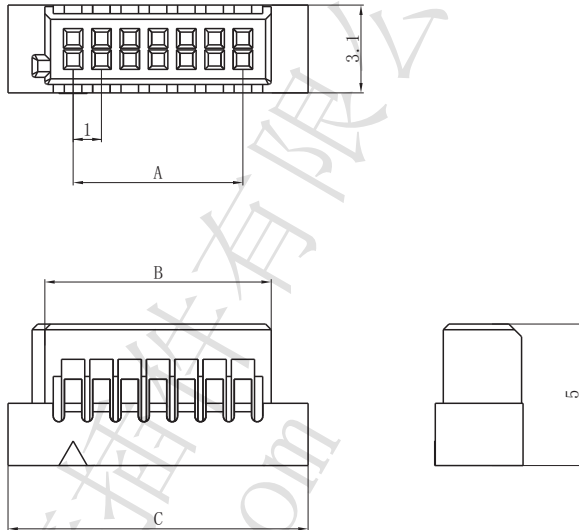
□ DL10004-T (DF20B-T)



Model No. (型号)	Applicable wire (适用线规)			Material (材料)	Plating (电镀)	Qty/reel (数量/盘)
	mm ²	AWG#	Insulation O.D. (绝缘外径mm)			
DL10004-T (DF20B-T)	0.032~0.08	32~28	φ 0.5~0.6	Phosphor bronze (磷青铜)	Gold Plated (镀金)	10000

符合RoHS标准
 RoHS compliance
 注: 镀锡产品请联系DLL
 Note: Contact DLL for tin-plated products.

□ DL10004-Y (DF20B-Y)



Circuits (电路)	Dimensions (尺寸mm)		
	A	B	C
2X3	2.00	4.00	6.60
2X4	3.00	5.00	7.60
2X5	4.00	6.00	8.60
2X6	5.00	7.00	9.60
2X7	6.00	8.00	10.60
2X8	7.00	9.00	11.60
2X9	8.00	10.00	12.60
2X10	9.00	11.00	13.60
2X11	10.00	12.00	14.60
2X12	11.00	13.00	15.60
2X13	12.00	14.00	16.60
2X14	13.00	15.00	17.60
2X15	14.00	16.00	18.60
2X16	15.00	17.00	19.60
2X17	16.00	18.00	20.60
2X18	17.00	19.00	21.60
2X19	18.00	20.00	22.60
~	~	~	~
2X25	24.00	26.00	28.60

Material (材料)

Housing (胶壳): Nylon (尼龙) UL94-V0 (2)

符合RoHS标准
RoHS compliance