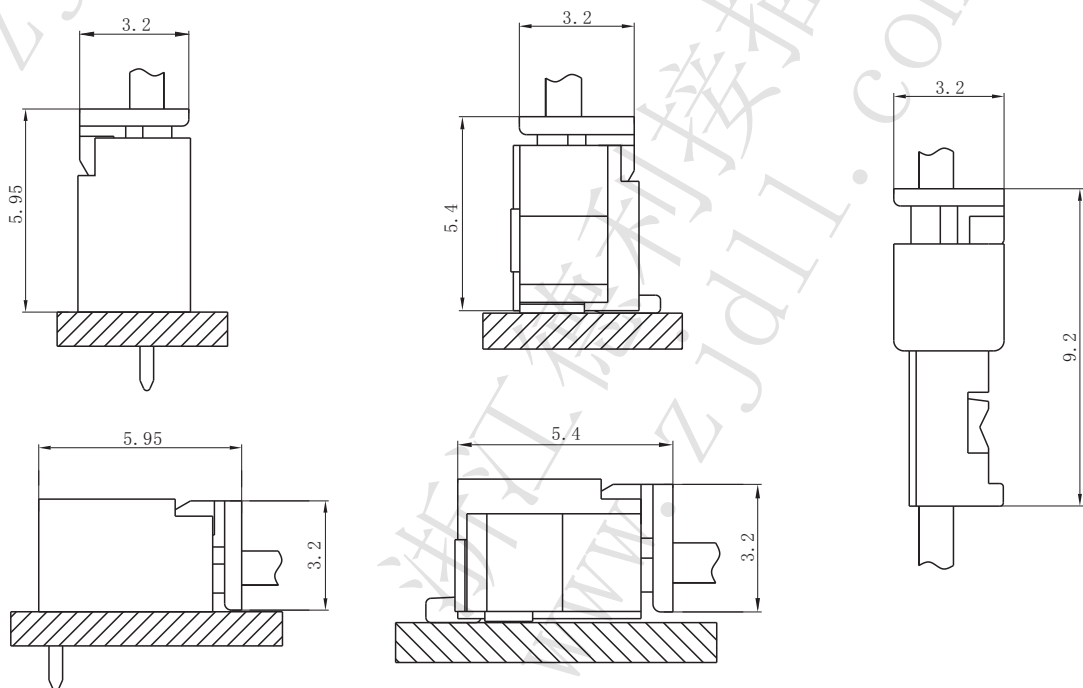


**技术特性/Specifications:**

额定电压 Rated voltage: 125V AC, DC  
 额定电流 Rated current: 1A AC, DC  
 接触电阻 Contact resistance: 20mΩ max  
 绝缘电阻 Insulation resistance: 100MΩ min  
 耐压 Withstand voltage: 500V AC/minute  
 环境温度 Ambient temperature: -25°C~+85°C  
 适用线规 Wire range: AWG#32~#28

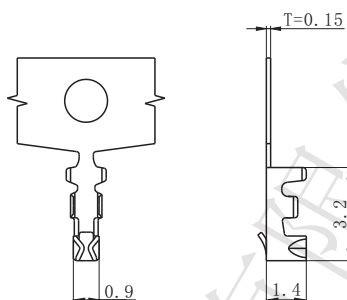
**PC电路板布局和组件布局 PC board layout and Assembly layout**

□ Assembly layout (装配布局)

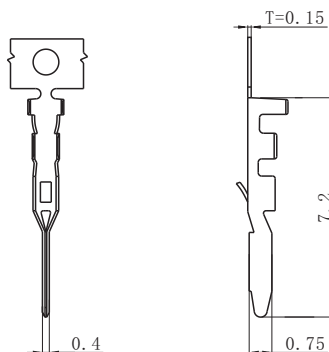


上图为连接器安装侧观察图  
 Notes: The above figure is the figure viewed from the connector mounting side.

□ DL12501-T (MH1.25-T)



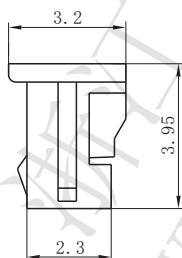
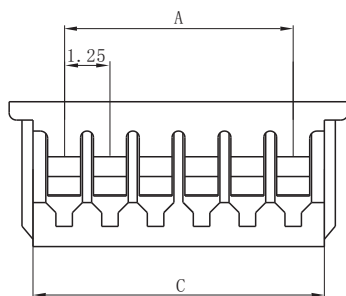
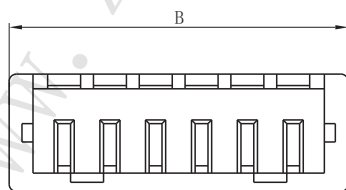
□ DL12501-RT (MH1.25-RT)



| Model No. (型号)         | Applicable wire (适用线规) |       |                          | Material (材料)         | Plating (电镀)    | Qty/reel (数量/盘) |
|------------------------|------------------------|-------|--------------------------|-----------------------|-----------------|-----------------|
|                        | mm <sup>2</sup>        | AWG#  | Insulation O.D. (绝缘外径mm) |                       |                 |                 |
| DL12501-T (MH1.25-T)   | 0.032~0.08             | 32~28 | φ 0.5~1.0                | Phosphor bronze (磷青铜) | Tin Plated (镀锡) | 10000           |
| DL12501-RT (MH1.25-RT) | 0.032~0.08             | 32~28 | φ 0.5~1.0                | Phosphor bronze (磷青铜) | Tin Plated (镀锡) | 10000           |

符合RoHS标准  
RoHS compliance  
注：镀金产品请联系DLL  
Note: Contact DLL for gold-plated products.

□ DL12501-Y (MH1.25-Y)



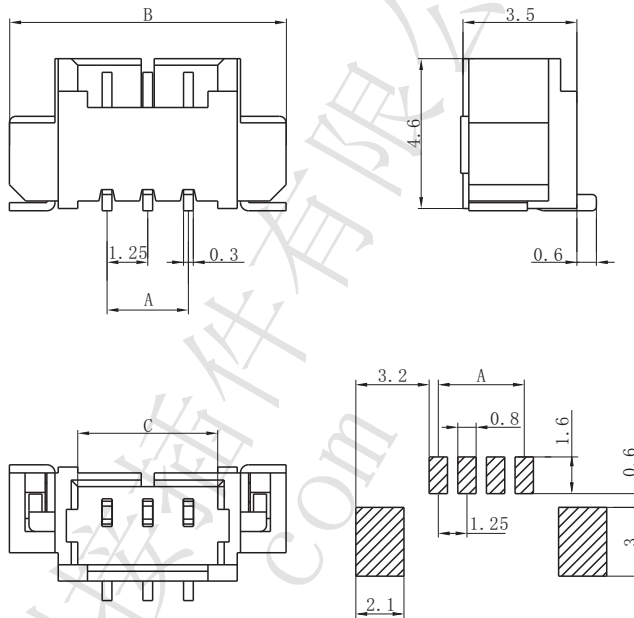
| Circuits (电路) | Dimensions (尺寸mm) |       |       |
|---------------|-------------------|-------|-------|
|               | A                 | B     | C     |
| 2             | 1.25              | 4.25  | 2.95  |
| 3             | 2.50              | 5.50  | 4.20  |
| 4             | 3.75              | 6.75  | 5.45  |
| 5             | 5.00              | 8.00  | 6.70  |
| 6             | 6.25              | 9.25  | 7.95  |
| 7             | 7.50              | 10.50 | 9.20  |
| 8             | 8.75              | 11.75 | 10.45 |
| 9             | 10.00             | 13.00 | 11.70 |
| 10            | 11.25             | 14.25 | 12.95 |
| 11            | 12.50             | 15.50 | 14.20 |
| 12            | 13.75             | 16.75 | 15.45 |
| 13            | 15.00             | 18.00 | 16.70 |
| 14            | 16.25             | 19.25 | 17.95 |
| 15            | 17.50             | 20.50 | 19.20 |
| 16            | 18.75             | 21.75 | 20.45 |

Material (材料)

Housing (胶壳): Nylon (尼龙) UL94-V0 (2)

符合RoHS标准  
RoHS compliance

□ DL12501-AB (MH1.25-AB)



| Circuits<br>(电路) | Dimensions (尺寸mm) |       |       |
|------------------|-------------------|-------|-------|
|                  | A                 | B     | C     |
| 2                | 1.25              | 7.25  | 3.05  |
| 3                | 2.50              | 8.50  | 4.30  |
| 4                | 3.75              | 9.75  | 5.55  |
| 5                | 5.00              | 11.00 | 6.80  |
| 6                | 6.25              | 12.25 | 8.05  |
| 7                | 7.50              | 13.50 | 9.30  |
| 8                | 8.75              | 14.75 | 10.55 |
| 9                | 10.00             | 16.00 | 11.80 |
| 10               | 11.25             | 17.25 | 13.05 |
| 11               | 12.50             | 18.50 | 14.30 |
| 12               | 13.75             | 19.75 | 15.55 |
| 13               | 15.00             | 21.00 | 16.80 |
| 14               | 16.25             | 22.25 | 18.05 |
| 15               | 17.50             | 23.50 | 19.30 |
| 16               | 18.75             | 24.75 | 20.55 |

Material (材料)

Housing (胶壳): LCP UL94-V0

Wafer (接触件): Phosphor bronze (磷青铜) / Tin plated (镀锡)

Solder tabs (焊片): Phosphor bronze (磷青铜) / Tin plated (镀锡)

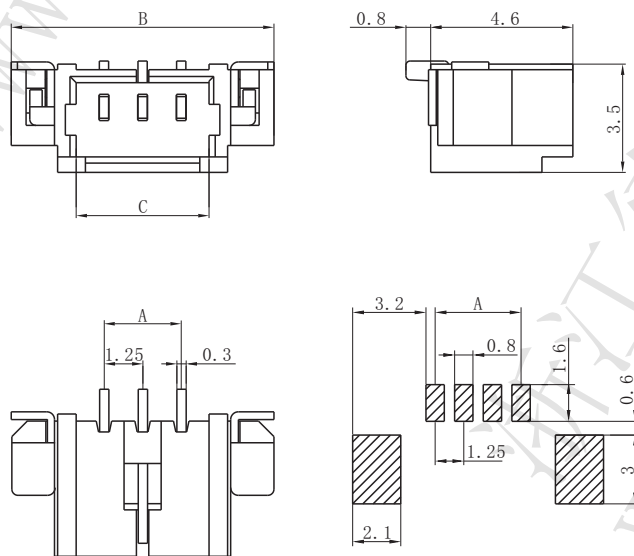
符合RoHS标准

RoHS compliance

注: 镀金产品请联系DLL

Note: Contact DLL for gold-plated products.

□ DL12501-AWB (MH1.25-AWB)



| Circuits<br>(电路) | Dimensions (尺寸mm) |       |       |
|------------------|-------------------|-------|-------|
|                  | A                 | B     | C     |
| 2                | 1.25              | 7.25  | 3.05  |
| 3                | 2.50              | 8.50  | 4.30  |
| 4                | 3.75              | 9.75  | 5.55  |
| 5                | 5.00              | 11.00 | 6.80  |
| 6                | 6.25              | 12.25 | 8.05  |
| 7                | 7.50              | 13.50 | 9.30  |
| 8                | 8.75              | 14.75 | 10.55 |
| 9                | 10.00             | 16.00 | 11.80 |
| 10               | 11.25             | 17.25 | 13.05 |
| 11               | 12.50             | 18.50 | 14.30 |
| 12               | 13.75             | 19.75 | 15.55 |
| 13               | 15.00             | 21.00 | 16.80 |
| 14               | 16.25             | 22.25 | 18.05 |
| 15               | 17.50             | 23.50 | 19.30 |
| 16               | 18.75             | 24.75 | 20.55 |

Material (材料)

Housing (胶壳): LCP UL94-V0

Wafer (接触件): Phosphor bronze (磷青铜) / Tin plated (镀锡)

Solder tabs (焊片): Phosphor bronze (磷青铜) / Tin plated (镀锡)

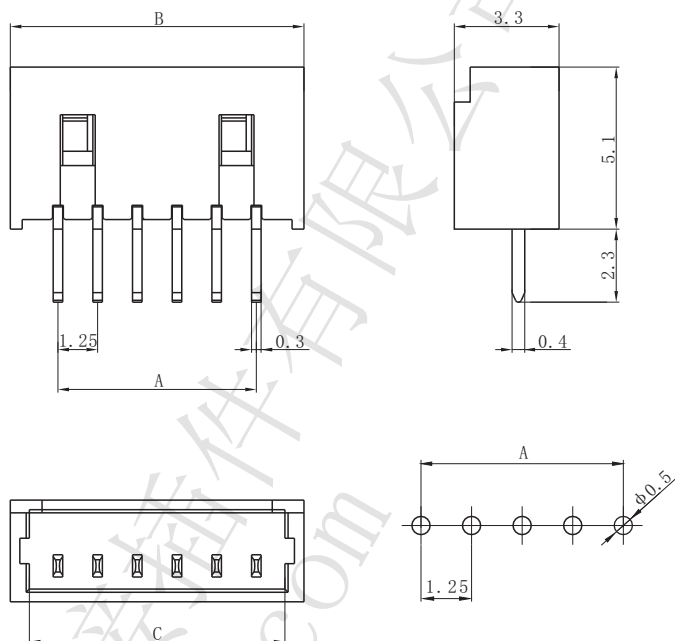
符合RoHS标准

RoHS compliance

注: 镀金产品请联系DLL

Note: Contact DLL for gold-plated products.

□ DL12501-A (MH1.25-A)



| Circuits<br>(电路) | Dimensions (尺寸mm) |       |       |
|------------------|-------------------|-------|-------|
|                  | A                 | B     | C     |
| 2                | 1.25              | 4.25  | 3.05  |
| 3                | 2.50              | 8.50  | 4.30  |
| 4                | 3.75              | 6.75  | 5.55  |
| 5                | 5.00              | 8.00  | 6.80  |
| 6                | 6.25              | 9.25  | 8.05  |
| 7                | 7.50              | 10.50 | 9.30  |
| 8                | 8.75              | 11.75 | 10.55 |
| 9                | 10.00             | 13.00 | 11.80 |
| 10               | 11.25             | 14.25 | 13.05 |
| 11               | 12.50             | 15.50 | 14.30 |
| 12               | 13.75             | 16.75 | 15.55 |
| 13               | 15.00             | 18.00 | 16.80 |
| 14               | 16.25             | 19.25 | 18.05 |
| 15               | 17.50             | 20.50 | 19.30 |
| 16               | 18.75             | 21.75 | 20.55 |

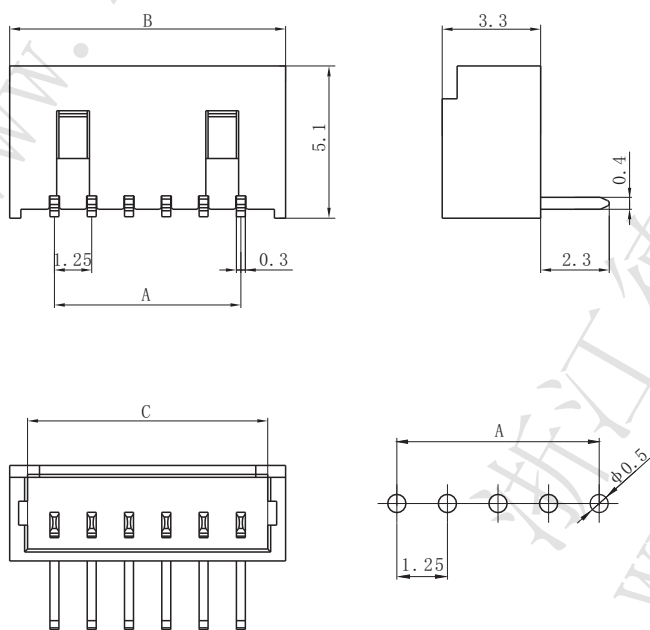
Material (材料)

Housing (胶壳): Nylon (尼龙) UL94-V0 (2)

Wafer (接触件): Phosphor bronze (磷青铜) / Tin plated (镀锡)

符合RoHS标准  
RoHS compliance  
注: 镀金产品请联系DLL  
Note: Contact DLL for gold-plated products.

□ DL12501-AW (MH1.25-AW)



| Circuits<br>(电路) | Dimensions (尺寸mm) |       |       |
|------------------|-------------------|-------|-------|
|                  | A                 | B     | C     |
| 2                | 1.25              | 4.25  | 3.05  |
| 3                | 2.50              | 8.50  | 4.30  |
| 4                | 3.75              | 6.75  | 5.55  |
| 5                | 5.00              | 8.00  | 6.80  |
| 6                | 6.25              | 9.25  | 8.05  |
| 7                | 7.50              | 10.50 | 9.30  |
| 8                | 8.75              | 11.75 | 10.55 |
| 9                | 10.00             | 13.00 | 11.80 |
| 10               | 11.25             | 14.25 | 13.05 |
| 11               | 12.50             | 15.50 | 14.30 |
| 12               | 13.75             | 16.75 | 15.55 |
| 13               | 15.00             | 18.00 | 16.80 |
| 14               | 16.25             | 19.25 | 18.05 |
| 15               | 17.50             | 20.50 | 19.30 |
| 16               | 18.75             | 21.75 | 20.55 |

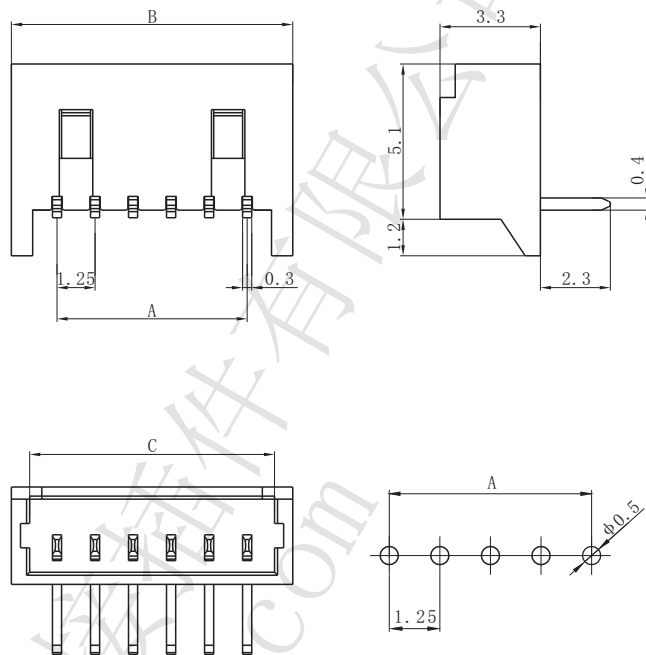
Material (材料)

Housing (胶壳): Nylon (尼龙) UL94-V0 (2)

Wafer (接触件): Phosphor bronze (磷青铜) / Tin plated (镀锡)

符合RoHS标准  
RoHS compliance  
注: 镀金产品请联系DLL  
Note: Contact DLL for gold-plated products.

□ DL12501-AWD (MH1.25-AWD)



| Circuits<br>(电路) | Dimensions (尺寸mm) |       |       |
|------------------|-------------------|-------|-------|
|                  | A                 | B     | C     |
| 2                | 1.25              | 4.25  | 3.05  |
| 3                | 2.50              | 8.50  | 4.30  |
| 4                | 3.75              | 6.75  | 5.55  |
| 5                | 5.00              | 8.00  | 6.80  |
| 6                | 6.25              | 9.25  | 8.05  |
| 7                | 7.50              | 10.50 | 9.30  |
| 8                | 8.75              | 11.75 | 10.55 |
| 9                | 10.00             | 13.00 | 11.80 |
| 10               | 11.25             | 14.25 | 13.05 |
| 11               | 12.50             | 15.50 | 14.30 |
| 12               | 13.75             | 16.75 | 15.55 |
| 13               | 15.00             | 18.00 | 16.80 |
| 14               | 16.25             | 19.25 | 18.05 |
| 15               | 17.50             | 20.50 | 19.30 |
| 16               | 18.75             | 21.75 | 20.55 |

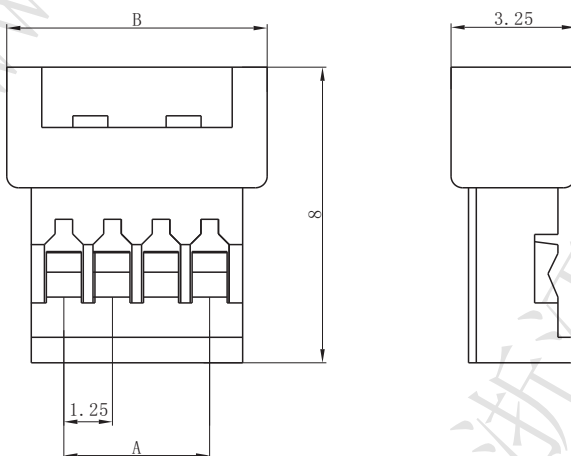
Material (材料)

Housing (胶壳): Nylon (尼龙) UL94-V0 (2)

Wafer (接触件): Phosphor bronze (磷青铜) / Tin plated (镀锡)

符合RoHS标准  
RoHS compliance  
注: 镀金产品请联系DLL  
Note: Contact DLL for gold-plated products.

□ DL12501-R (MH1.25-R)



| Circuits<br>(电路) | Dimensions (尺寸mm) |       |
|------------------|-------------------|-------|
|                  | A                 | B     |
| 2                | 1.25              | 4.25  |
| 3                | 2.50              | 5.50  |
| 4                | 3.75              | 6.75  |
| 5                | 5.00              | 8.00  |
| 6                | 6.25              | 9.25  |
| 7                | 7.50              | 10.50 |
| 8                | 8.75              | 11.75 |
| 9                | 10.00             | 13.00 |
| 10               | 11.25             | 14.25 |
| 11               | 12.50             | 15.50 |
| 12               | 13.75             | 16.75 |
| 13               | 15.00             | 18.00 |
| 14               | 16.25             | 19.25 |
| 15               | 17.50             | 20.50 |
| 16               | 18.75             | 21.75 |

Material (材料)

Housing (胶壳): Nylon (尼龙) UL94-V0 (2)

符合RoHS标准  
RoHS compliance