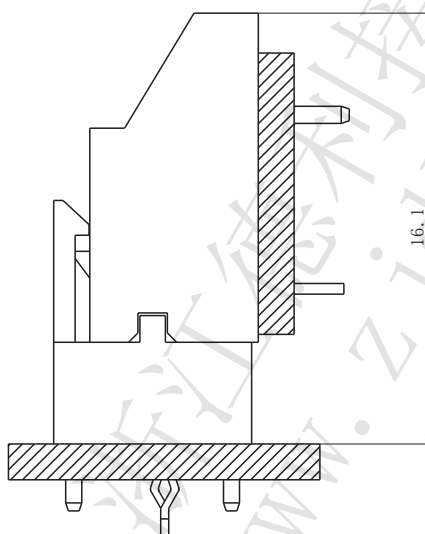


**技术特性/Specifications:**

额定电压 Rated voltage: 250V AC, DC  
 额定电流 Rated current: 3A AC, DC  
 接触电阻 Contact resistance: 20mΩ max  
 绝缘电阻 Insulation resistance: 1000MΩ min  
 耐压 Withstand voltage: 1000V AC/minute  
 环境温度 Ambient temperature: -25°C~+85°C  
 适用线规 Wire range: AWG#28~#22

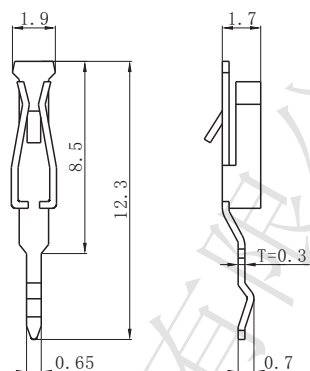
**PC电路板布局和组件布局 PC board layout and Assembly layout**

▣ Assembly layout (装配布局)

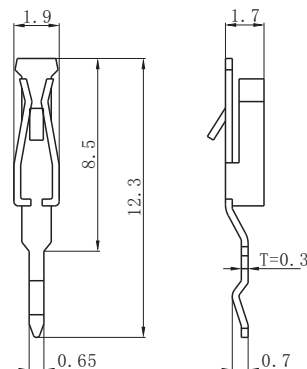


上图为连接器安装侧观察图  
Notes: The above figure is the figure viewed from the connector mounting side.

DL25008-T (JL-T正)



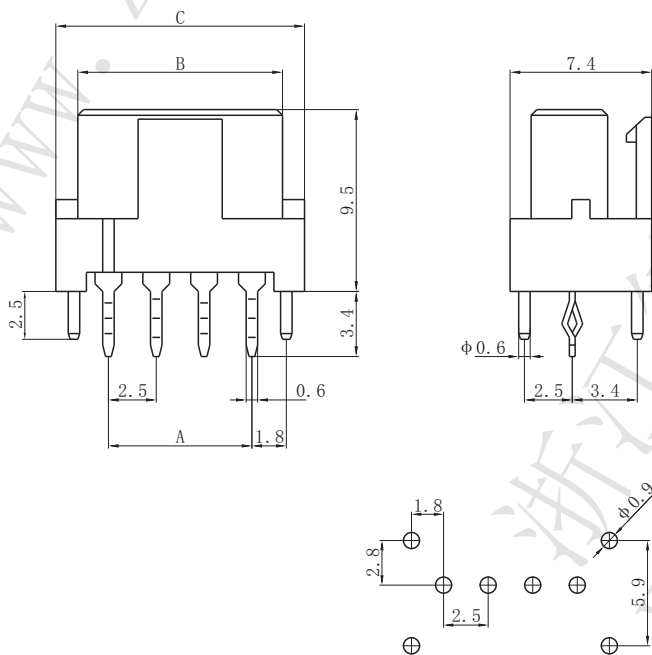
DL25008-T (JL-T反)



Model No. (型号)	Applicable wire (适用线规)			Material (材料)	Plating (电镀)	Qty/reel (数量/盘)
	mm <sup>2</sup>	AWG#	Insulation O.D. (绝缘外径mm)			
DL25008-T (JL-T正)	0.08~0.33	28~22	φ1.2~1.9	Phosphor bronze (磷青铜)	Tin Plated (镀锡)	/
DL25008-T (JL-T反)	0.08~0.33	28~22	φ1.2~1.9	Phosphor bronze (磷青铜)	Tin Plated (镀锡)	/

符合RoHS标准  
RoHS compliance  
注: 镀金产品请联系DLL  
Note: Contact DLL for gold-plated products.

DL25008-Y (JL-Y)



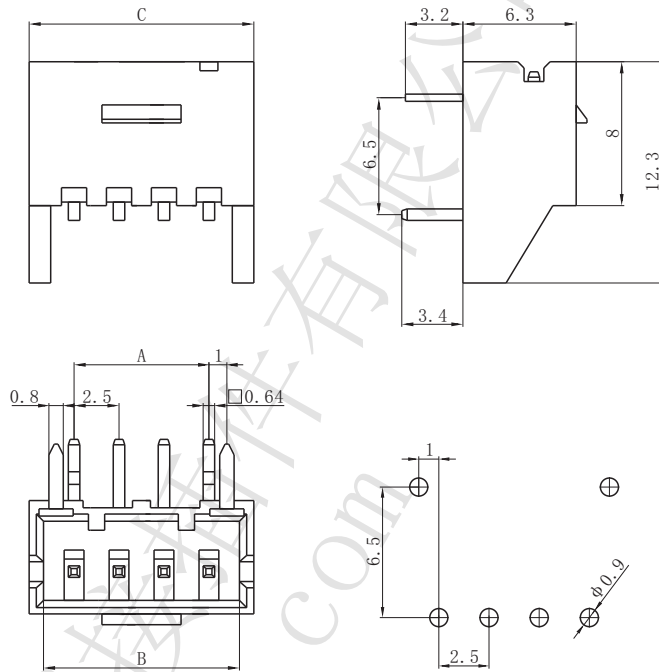
Circuits (电路)	Dimensions (尺寸mm)		
	A	B	C
2	2.50	5.70	7.90
3	5.00	8.20	10.40
4	7.50	10.70	12.90
5	10.00	13.20	15.40
6	12.50	15.70	17.90
7	15.00	18.20	20.40
8	17.50	20.70	22.90
9	20.00	23.20	25.40
10	22.50	25.70	27.90
11	25.00	28.20	30.40
12	27.50	30.70	32.90
13	30.00	33.20	35.40
14	32.50	35.70	37.90
15	35.00	38.20	40.40

Material (材料)

Housing (胶壳): Nylon (尼龙) UL94-V0 (2)  
Wafer (接触件): Brass (黄铜) / Tin plated (镀锡)

符合RoHS标准  
RoHS compliance  
注: 镀金产品请联系DLL  
Note: Contact DLL for gold-plated products.

DL25008-AWD (JL-AWD)



Circuits (电路)	Dimensions (尺寸mm)		
	A	B	C
2	2.50	5.90	7.50
3	5.00	8.40	10.00
4	7.50	10.90	12.50
5	10.00	13.40	15.00
6	12.50	15.90	17.50
7	15.00	18.40	20.00
8	17.50	20.90	22.50
9	20.00	23.40	25.00
10	22.50	25.90	27.50
11	25.00	28.40	30.00
12	27.50	30.90	32.50
13	30.00	33.40	35.00
14	32.50	35.90	37.50
15	35.00	38.40	40.00

Material (材料)

Housing (胶壳): Nylon (尼龙) UL94-V0 (2)

Wafer (接触件): Brass (黄铜) / Tin plated (镀锡)

符合RoHS标准

RoHS compliance

注: 镀金产品请联系DLL

Note: Contact DLL for gold-plated products.