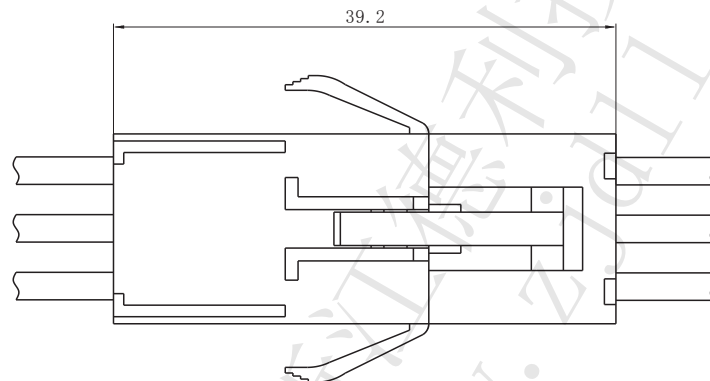


**技术特性/Specifications:**

额定电压 Rated voltage: 300V AC, DC  
 额定电流 Rated current: 10A AC, DC  
 接触电阻 Contact resistance: 20mΩ max  
 绝缘电阻 Insulation resistance: 1000MΩ min  
 耐压 Withstand voltage: 1500V AC/minute  
 环境温度 Ambient temperature: -25°C~+85°C  
 适用线规 Wire range: AWG#26~#16

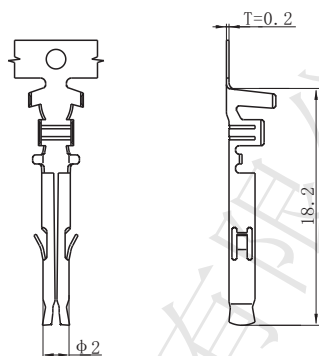
**PC电路板布局和组件布局 PC board layout and Assembly layout**

▣ Assembly layout (装配布局)

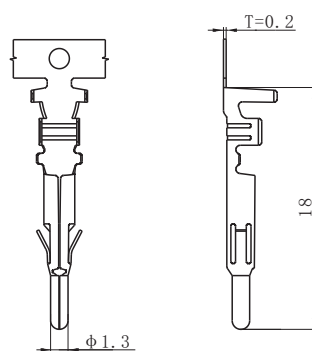


上图为连接器安装侧观察图  
Notes: The above figure is the figure viewed from the connector mounting side.

□ DL45001-T (EL-T)



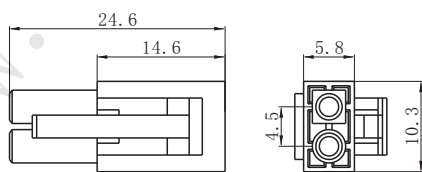
□ DL45001-RT (EL-RT)



Model No. (型号)	Applicable wire (适用线规)			Material (材料)	Plating (电镀)	Qty/reel (数量/盘)
	mm <sup>2</sup>	AWG#	Insulation O. D. (绝缘外径mm)			
DL45001-T (EL-T)	0.13~0.75	26~16	φ1.3~2.7	Phosphor bronze (磷青铜)	Tin Plated (镀锡)	4000
DL45001-RT (EL-RT)	0.13~0.75	26~16	φ1.3~2.7	Phosphor bronze (磷青铜)	Tin Plated (镀锡)	4000

符合RoHS标准  
RoHS compliance  
注：镀金产品请联系DLL  
Note: Contact DLL for gold-plated products.

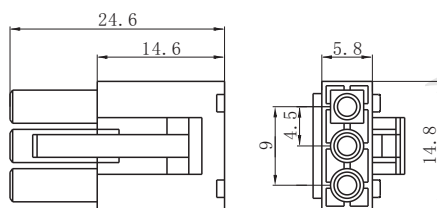
□ DL45001-2Y (EL-2Y)



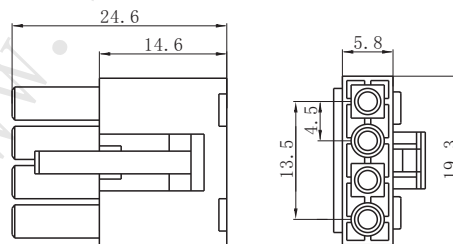
Material (材料)
Housing (胶壳): Nylon (尼龙) UL94-V0 (2)

符合RoHS标准  
RoHS compliance

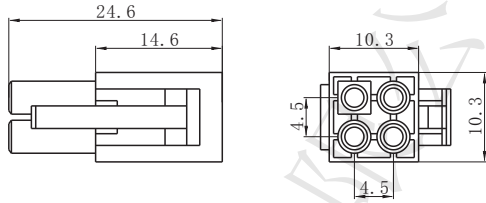
□ DL45001-3Y (EL-3Y)



□ DL45001-4YM (EL-4YM)



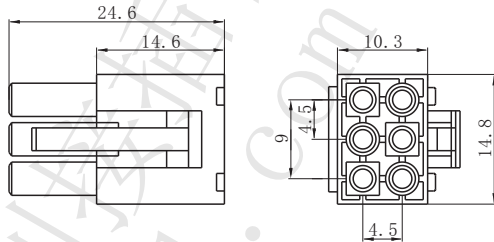
DL45001-4Y (EL-4Y)



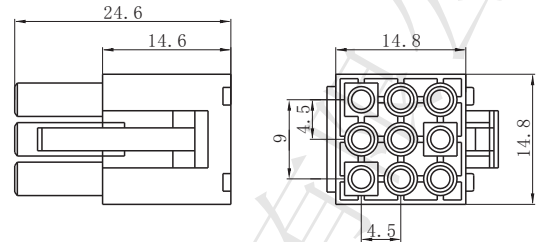
Material (材料)
Housing (胶壳): Nylon (尼龙) UL94-V0 (2)

符合RoHS标准  
RoHS compliance

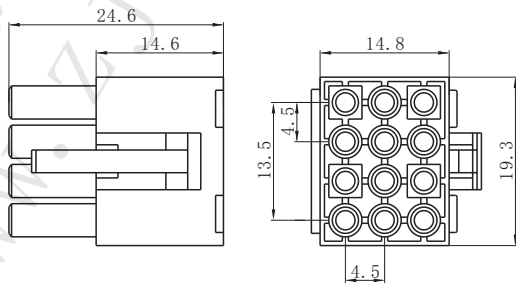
DL45001-6Y (EL-6Y)



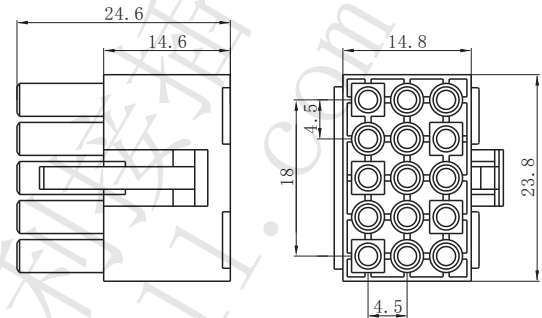
DL45001-9Y (EL-9Y)



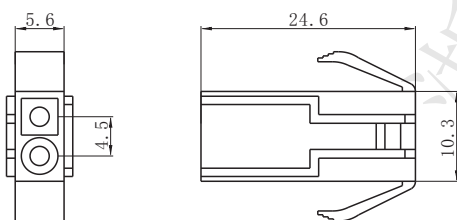
DL45001-12Y (EL-12Y)



DL45001-15Y (EL-15Y)



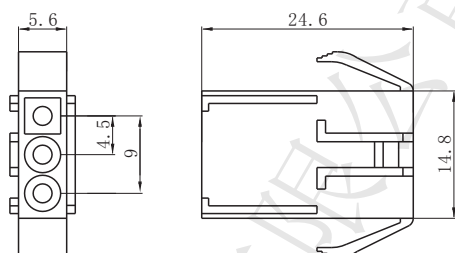
DL45001-2R (EL-2R)



Material (材料)
Housing (胶壳): Nylon (尼龙) UL94-V0 (2)

符合RoHS标准  
RoHS compliance

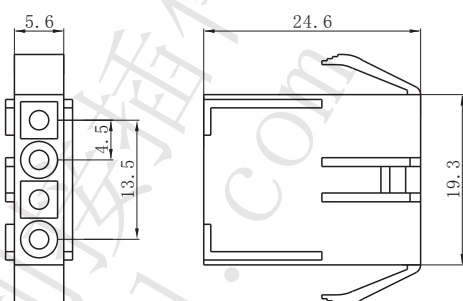
DL45001-3R (EL-3R)



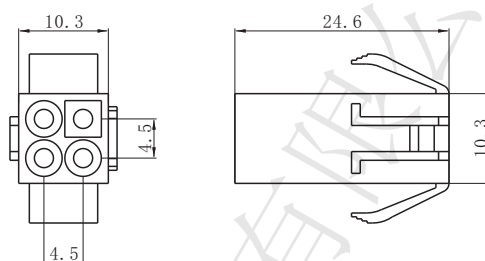
Material (材料)  
Housing (胶壳): Nylon (尼龙) UL94-V0 (2)

符合RoHS标准  
RoHS compliance

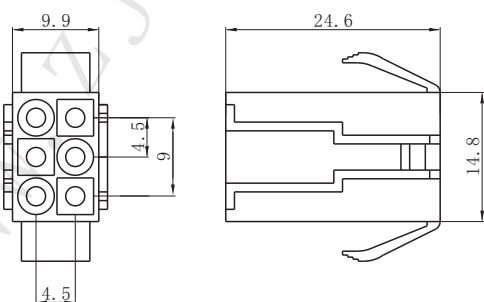
DL45001-4RM (EL-4RM)



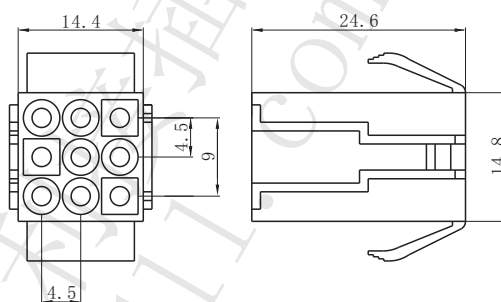
DL45001-4R (EL-4R)



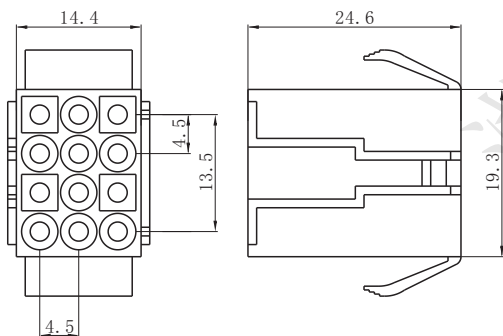
DL45001-6R (EL-6R)



DL45001-9R (EL-9R)



DL45001-12R (EL-12R)



DL45001-15R (EL-15R)

