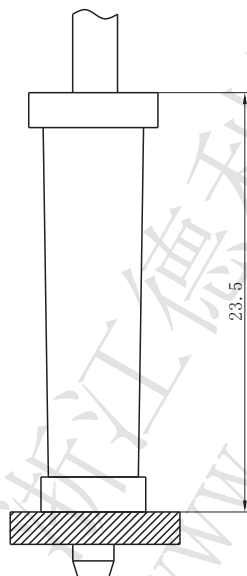


**技术特性/Specifications:**

额定电压 Rated voltage: 250V AC, DC  
 额定电流 Rated current: 7A AC, DC  
 接触电阻 Contact resistance: 10mΩ max  
 绝缘电阻 Insulation resistance: 1000MΩ min  
 耐压 Withstand voltage: 1500V AC/minute  
 环境温度 Ambient temperature: -25°C~+85°C  
 适用线规 Wire range: AWG#24~#18

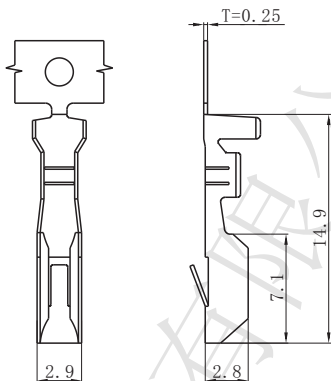
**PC电路板布局和组件布局 PC board layout and Assembly layout**

▣ Assembly layout (装配布局)



上图为连接器安装侧观察图  
 Notes: The above figure is the figure viewed from the connector mounting side.

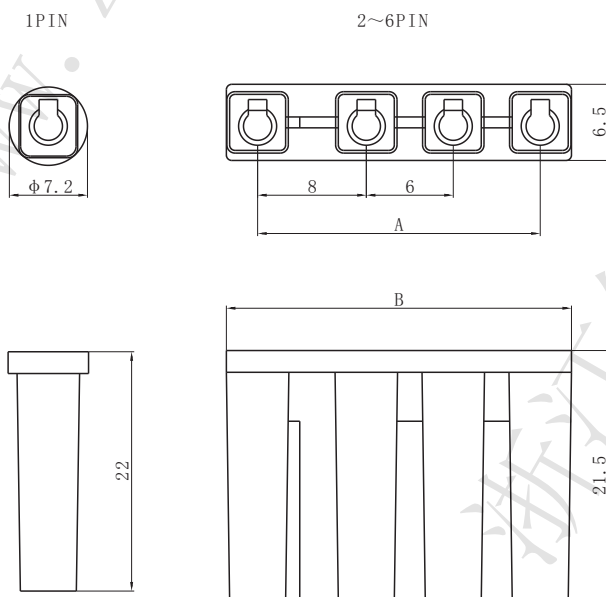
□ DL86601-T (TJC4-T)



Model No. (型号)	Applicable wire (适用线规)			Material (材料)	Plating (电镀)	Qty/reel (数量/盘)
	mm <sup>2</sup>	AWG#	Insulation O.D. (绝缘外径mm)			
DL86601-T(TJC4-T)	0.20~0.75	24~18	φ 0.5~3.2	Phosphor bronze (磷青铜)	Tin Plated (镀锡)	5000

符合RoHS标准  
RoHS compliance  
注：镀金产品请联系DLL  
Note: Contact DLL for gold-plated products.

□ DL86601-Y (TJC4-Y)

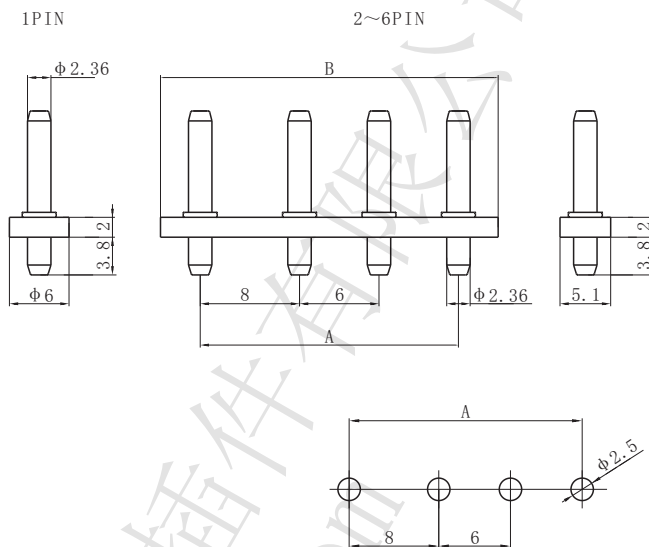


Circuits (电路)	Dimensions (尺寸mm)	
	A	B
2	8.00	13.50
3	14.00	19.50
4	20.00	25.50
5	26.00	31.50
6	32.00	37.50

Material (材料)
Housing (胶壳): Nylon (尼龙) UL94- V0 (2)

符合RoHS标准  
RoHS compliance

□ DL86601-A (TJC4-A)



Circuits (电路)	Dimensions (尺寸mm)	
	A	B
2	8.00	16.00
3	14.00	22.00
4	20.00	28.00
5	26.00	34.00
6	32.00	40.00

Material (材料)

Housing (胶壳): PBT

Wafer (接触件): Brass (黄铜) / Tin plated (镀锡)

符合RoHS标准

RoHS compliance

注: 镀金产品请联系DLL

Note: Contact DLL for gold-plated products.