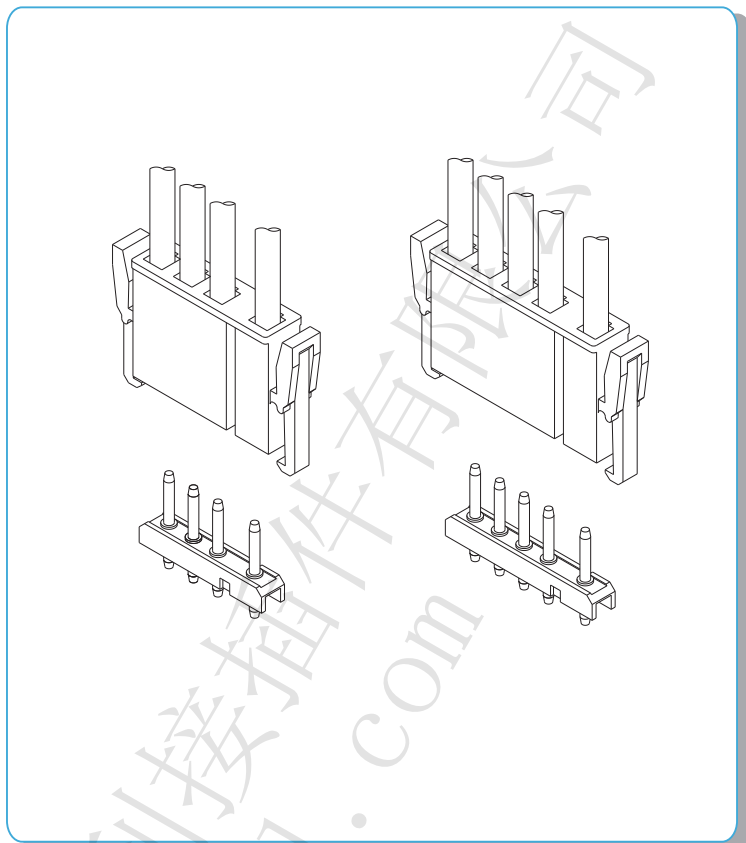


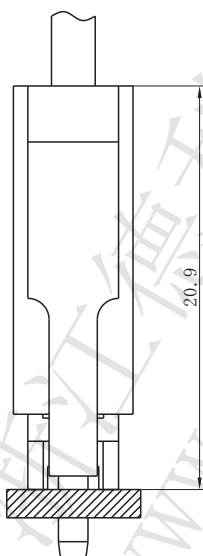
技术特性/Specifications:

额定电压 Rated voltage: 300V AC, DC
 额定电流 Rated current: 5A AC, DC
 接触电阻 Contact resistance: 10mΩ max
 绝缘电阻 Insulation resistance: 1000MΩ min
 耐压 Withstand voltage: 1500V AC/minute
 环境温度 Ambient temperature: -25°C~+85°C
 适用线规 Wire range: AWG#26~#20



PC电路板布局和组件布局 PC board layout and Assembly layout

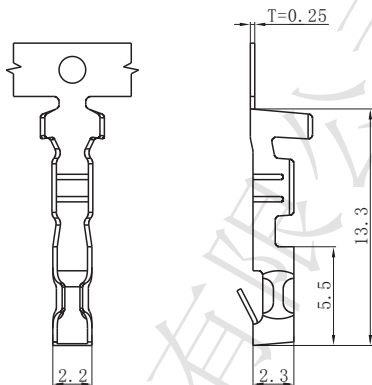
□ Assembly layout (装配布局)



上图为连接器安装侧观察图

Notes: The above figure is the figure viewed from the connector mounting side.

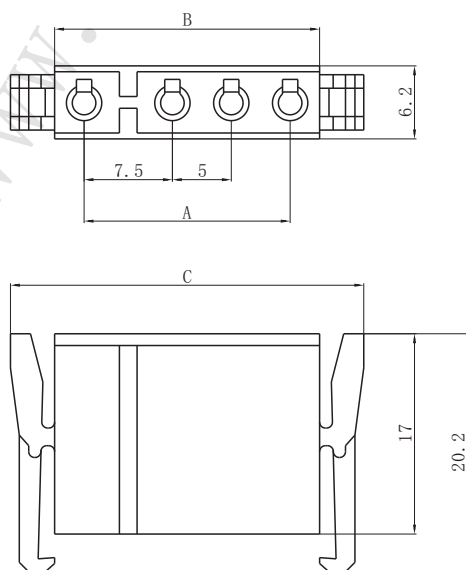
□ DL75553-T (TJC2A-T)



Model No. (型号)	Applicable wire (适用线规)			Material (材料)	Plating (电镀)	Qty/reel (数量/盘)
	mm ²	AWG#	Insulation O.D. (绝缘外径mm)			
DL75553-T (TJC2A-T)	0.13~0.50	26~20	φ1.3~2.7	Phosphor bronze (磷青铜)	Tin Plated (镀锡)	6000

符合RoHS标准
RoHS compliance
注：镀金产品请联系DLL
Note: Contact DLL for gold-plated products.

□ DL75553-Y (TJC2A-Y)

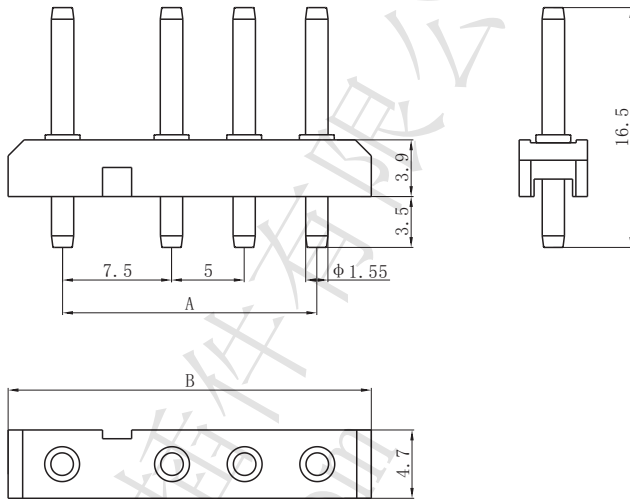


Circuits (电路)	Dimensions (尺寸mm)		
	A	B	C
2	7.50	12.50	20.00
3	12.50	17.50	25.00
4	17.50	22.50	30.00
5	22.50	27.50	35.00
6	27.50	32.50	40.00

Material (材料)
Housing (胶壳): Nylon (尼龙) UL94- V0 (2)

符合RoHS标准
RoHS compliance

□ DL75553-A (TJC2A-A)



Circuits (电路)	Dimensions (尺寸mm)	
	A	B
2	7.50	15.20
3	12.50	20.20
4	17.50	25.20
5	22.50	30.20
6	27.50	35.20

Material (材料)

Housing (胶壳): Nylon (尼龙) UL94- V0 (2)

Wafer (接触件): Brass (黄铜) / Tin plated (镀锡)

符合RoHS标准

RoHS compliance

注: 镀金产品请联系DLL

Note: Contact DLL for gold-plated products.