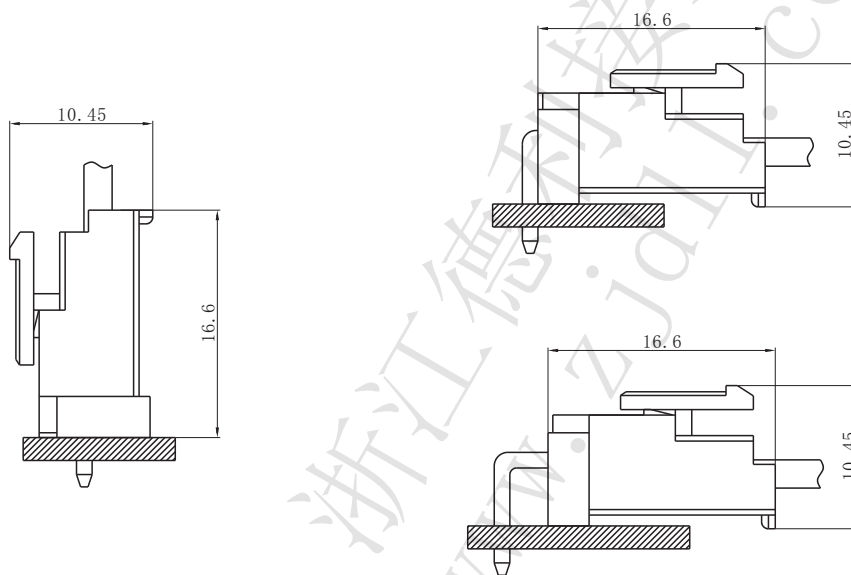


**技术特性/Specifications:**

额定电压 Rated voltage: 250V AC, DC  
 额定电流 Rated current: 7A AC, DC  
 接触电阻 Contact resistance: 20mΩ max  
 绝缘电阻 Insulation resistance: 1000MΩ min  
 耐压 Withstand voltage: 1500V AC/minute  
 环境温度 Ambient temperature: -25°C~+85°C  
 适用线规 Wire range: AWG#22~#16

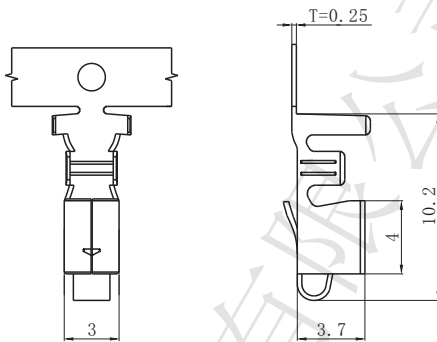
**PC电路板布局和组件布局 PC board layout and Assembly layout**

▣ Assembly layout (装配布局)



上图为连接器安装侧观察图  
 Notes: The above figure is the figure viewed from the connector mounting side.

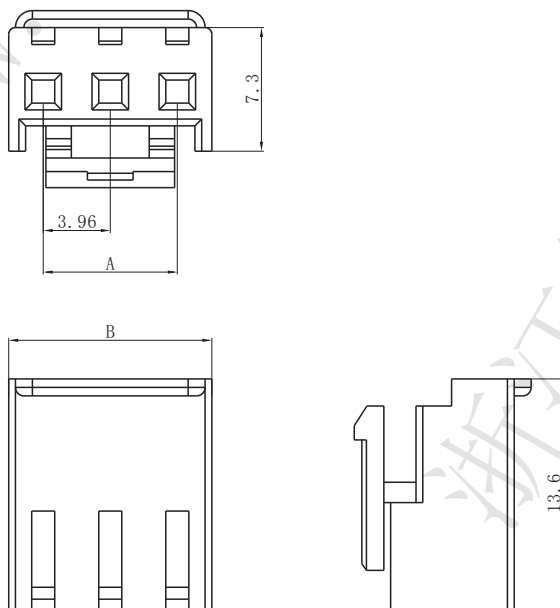
□ DL39610-T (VHB-T)



Model No. (型号)	Applicable wire (适用线规)			Material (材料)	Plating (电镀)	Qty/reel (数量/盘)
	mm <sup>2</sup>	AWG#	Insulation O.D. (绝缘外径mm)			
DL39610-T (VHB-T)	0.33~0.13	22~16	Φ1.7~3.0	Phosphor bronze (磷青铜)	Tin Plated (镀锡)	3500

符合RoHS标准  
RoHS compliance  
注：镀金产品请联系DLL  
Note: Contact DLL for gold-plated products.

□ DL39610-Y (VHB-Y)



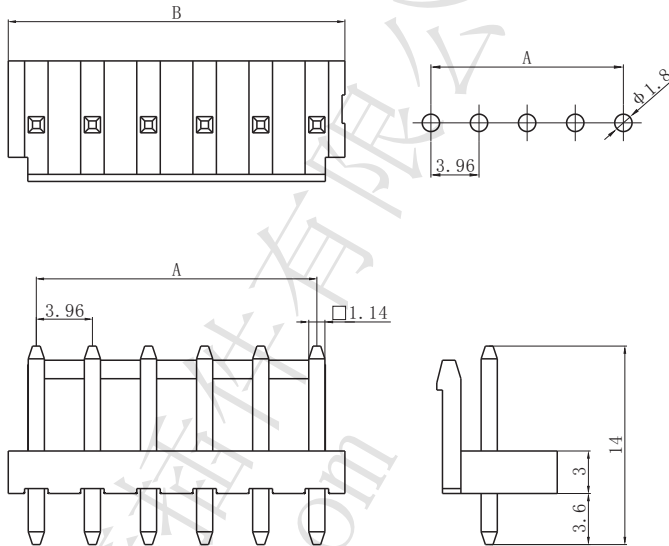
Circuits (电路)	Dimensions (尺寸mm)	
	A	B
2	3.96	7.92
3	7.92	11.88
4	11.88	15.84
5	15.84	19.80
6	19.80	23.76
7	23.76	27.72
8	27.72	31.68
9	31.68	35.64
10	35.64	39.60
11	39.60	43.56
12	43.56	47.52
13	47.52	51.48
14	51.48	55.44
15	55.44	59.40

Material (材料)

Housing (胶壳): Nylon (尼龙) UL94-V0 (2)

符合RoHS标准  
RoHS compliance

□ DL39602-A (VH-A)



Circuits (电路)	Dimensions (尺寸mm)	
	A	B
2	3.96	7.92
3	7.92	11.88
4	11.88	15.84
5	15.84	19.80
6	19.80	23.76
7	23.76	27.72
8	27.72	31.68
9	31.68	35.64
10	35.64	39.60
11	39.60	43.56
12	43.56	47.52
13	47.52	51.48
14	51.48	55.44
15	55.44	59.40

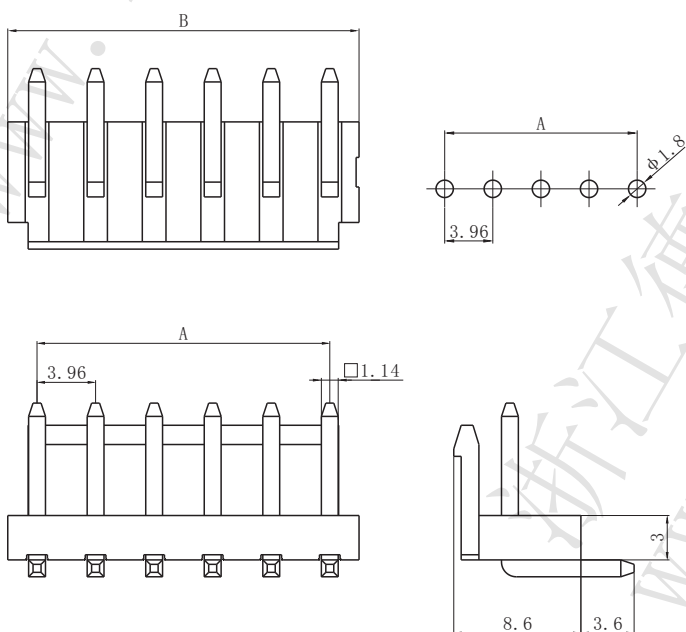
Material (材料)

Housing (胶壳): Nylon (尼龙) UL94-V0 (2)

Wafer (接触件): Brass (黄铜) / Tin plated (镀锡)

符合RoHS标准  
RoHS compliance  
注: 镀金产品请联系DLL  
Note: Contact DLL for gold-plated products.

□ DL39602-AW (VH-AW)



Circuits (电路)	Dimensions (尺寸mm)	
	A	B
2	3.96	7.92
3	7.92	11.88
4	11.88	15.84
5	15.84	19.80
6	19.80	23.76
7	23.76	27.72
8	27.72	31.68
9	31.68	35.64
10	35.64	39.60
11	39.60	43.56
12	43.56	47.52
13	47.52	51.48
14	51.48	55.44
15	55.44	59.40

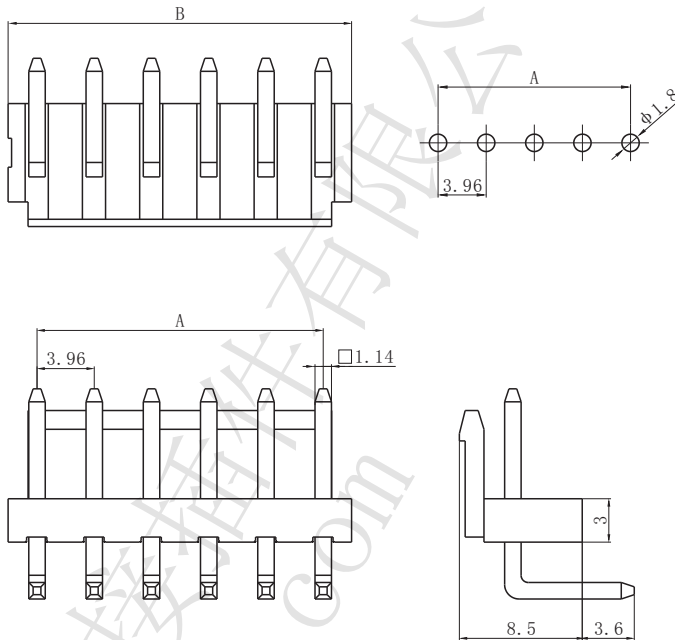
Material (材料)

Housing (胶壳): Nylon (尼龙) UL94-V0 (2)

Wafer (接触件): Brass (黄铜) / Tin plated (镀锡)

符合RoHS标准  
RoHS compliance  
注: 镀金产品请联系DLL  
Note: Contact DLL for gold-plated products.

□ DL39602-AWT (VH-AWT)



Circuits (电路)	Dimensions (尺寸mm)	
	A	B
2	3.96	7.92
3	7.92	11.88
4	11.88	15.84
5	15.84	19.80
6	19.80	23.76
7	23.76	27.72
8	27.72	31.68
9	31.68	35.64
10	35.64	39.60
11	39.60	43.56
12	43.56	47.52
13	47.52	51.48
14	51.48	55.44
15	55.44	59.40

Material (材料)

Housing (胶壳): Nylon (尼龙) UL94-V0 (2)

Wafer (接触件): Brass (黄铜) / Tin plated (镀锡)

符合RoHS标准  
RoHS compliance  
注: 镀金产品请联系DLL  
Note: Contact DLL for gold-plated products.