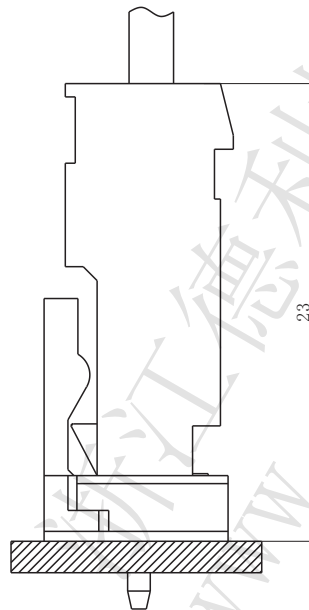


**技术特性/Specifications:**

额定电压 Rated voltage: 250V AC, DC  
 额定电流 Rated current: 5A AC, DC  
 接触电阻 Contact resistance: 10mΩ max  
 绝缘电阻 Insulation resistance: 1000MΩ min  
 耐压 Withstand voltage: 1200V AC/minute  
 环境温度 Ambient temperature: -25°C~+85°C  
 适用线规 Wire range: AWG#22~#18

**PC电路板布局和组件布局 PC board layout and Assembly layout**

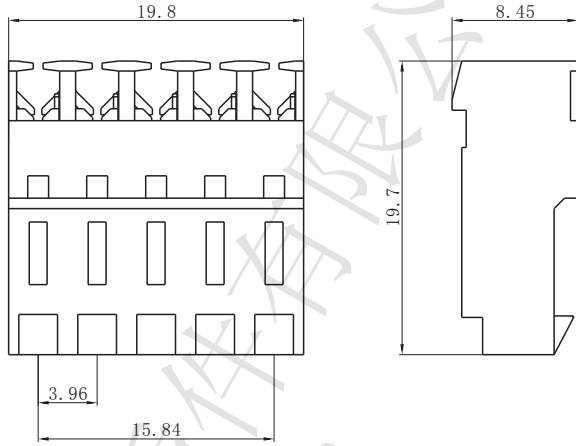
▣ Assembly layout (装配布局)



上图为连接器安装侧观察图

Notes: The above figure is the figure viewed from the connector mounting side.

□ DL39607-5Y (53114-5Y)

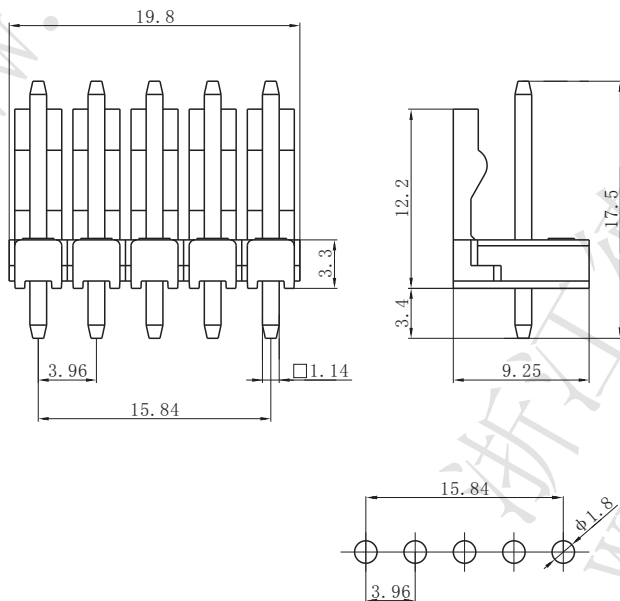


Material (材料)

Housing (胶壳): Nylon (尼龙) UL94-V0 (2)

符合RoHS标准  
RoHS compliance

□ DL39607-5A (53113-5A)



Material (材料)

Housing (胶壳): PBT

Wafer (接触件): Brass (黄铜) / Tin plated (镀锡)

符合RoHS标准  
RoHS compliance  
注: 镀金产品请联系DLL  
Note: Contact DLL for gold-plated products.