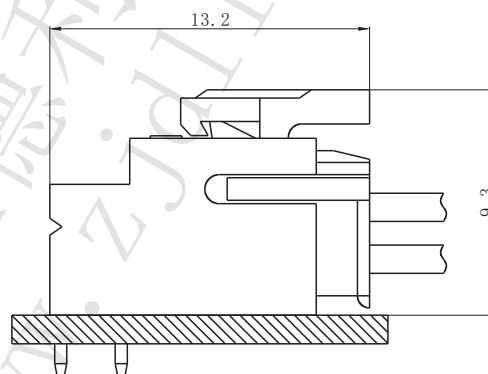
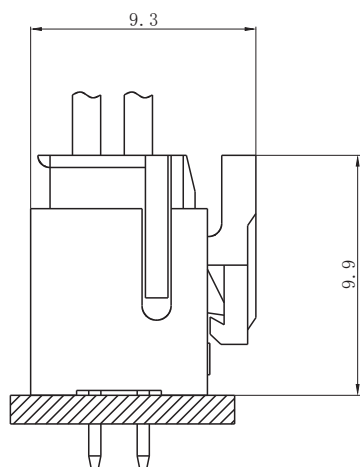


**技术特性/Specifications:**

额定电压 Rated voltage: 250V AC, DC  
 额定电流 Rated current: 3A AC, DC  
 接触电阻 Contact resistance: 20mΩ max  
 绝缘电阻 Insulation resistance: 1000MΩ min  
 耐压 Withstand voltage: 1000V AC/minute  
 环境温度 Ambient temperature: -25°C~+85°C  
 适用线规 Wire range: AWG#28~#22

**PC电路板布局和组件布局 PC board layout and Assembly layout**

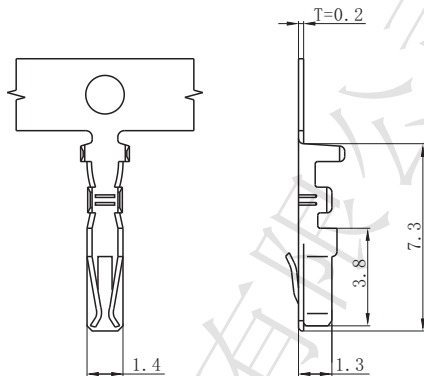
□ Assembly layout (装配布局)



上图为连接器安装侧观察图

Notes: The above figure is the figure viewed from the connector mounting side.

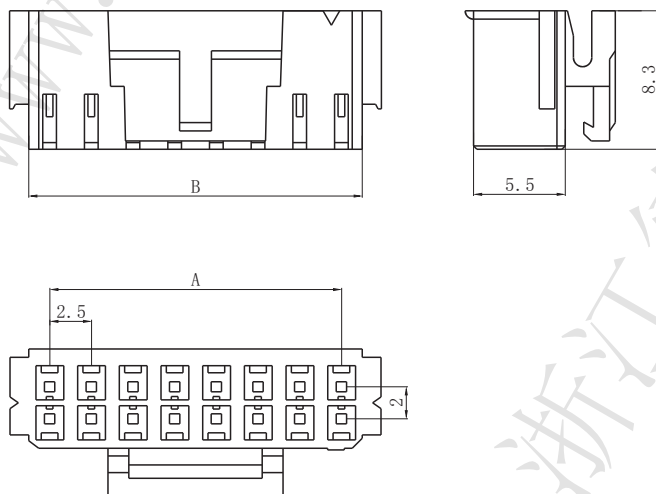
□ DL25028-T (HX2.5-T)



Model No. (型号)	Applicable wire (适用线规)			Material (材料)	Plating (电镀)	Qty/reel (数量/盘)
	mm <sup>2</sup>	AWG#	Insulation O.D. (绝缘外径mm)			
DL25028-T (HX2.5-T)	0.08~0.33	28~22	φ1.2~1.9	Phosphor bronze (磷青铜)	Tin Plated (镀锡)	12000

符合RoHS标准  
RoHS compliance  
注：镀金产品请联系DLL  
Note: Contact DLL for gold-plated products.

□ DL25028-Y (HX2.5-Y)



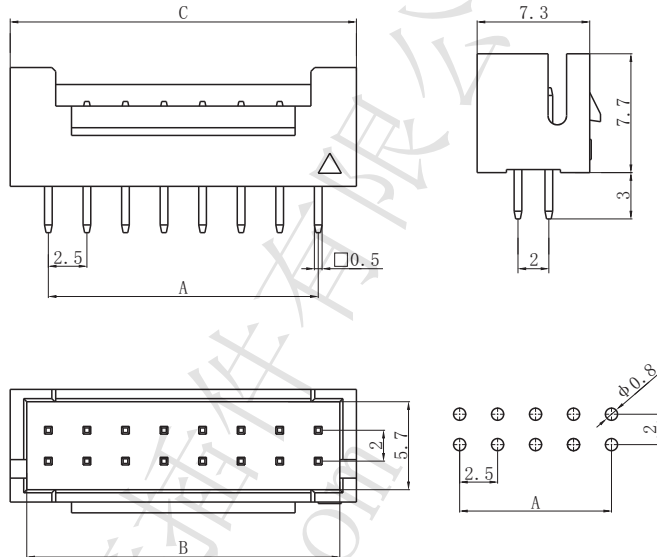
Circuits (电路)	Dimensions (尺寸mm)	
	A	B
2X4	7.50	15.00
2X5	10.00	17.50
2X6	12.50	20.00
2X7	15.00	22.50
2X8	17.50	25.00
2X9	20.00	27.50
2X10	22.50	30.00
2X11	25.00	32.50
2X12	27.50	35.00
2X13	30.00	37.50
2X14	32.50	40.00
2X15	35.00	42.50
2X16	37.50	45.00
2X17	40.00	47.50
2X18	42.50	50.00
2X19	45.00	52.50
2X20	47.50	55.00

Material (材料)

Housing (胶壳): Nylon (尼龙) UL94-V0 (2)

符合RoHS标准  
RoHS compliance

□ DL25028-A (HX2.5-A)



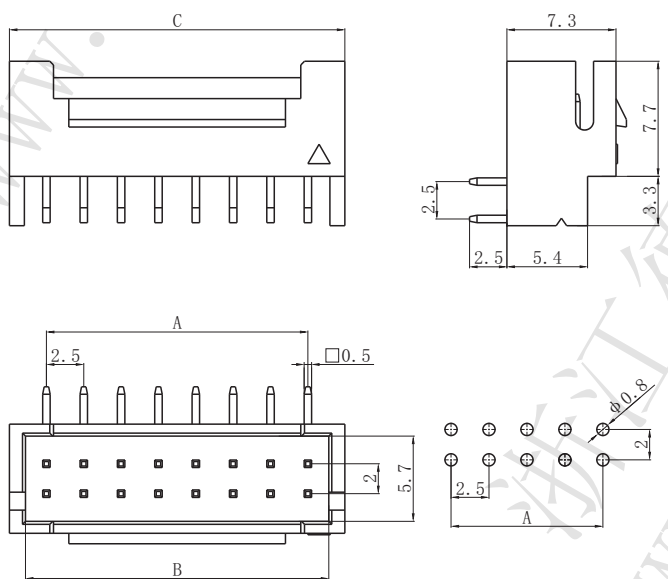
Circuits (电路)	Dimensions (尺寸mm)		
	A	B	C
2X4	7.50	10.30	12.45
2X5	10.00	12.80	14.95
2X6	12.50	15.30	17.45
2X7	15.00	17.80	19.95
2X8	17.50	20.30	22.45
2X9	20.00	22.80	24.95
2X10	22.50	25.30	27.45
2X11	25.00	27.80	29.95
2X12	27.50	30.30	32.45
2X13	30.00	32.80	34.95
2X14	32.50	35.30	37.45
2X15	35.00	37.80	39.95

Material (材料)

Housing (胶壳): Nylon (尼龙) UL94-V0(2)  
Wafer (接触件): Brass (黄铜) / Tin plated (镀锡)

符合RoHS标准  
RoHS compliance  
注: 镀金产品请联系DLL  
Note: Contact DLL for gold-plated products.

□ DL25028-AWD (HX2.5-AWD)



Circuits (电路)	Dimensions (尺寸mm)		
	A	B	C
2X4	7.50	10.30	12.45
2X5	10.00	12.80	14.95
2X6	12.50	15.30	17.45
2X7	15.00	17.80	19.95
2X8	17.50	20.30	22.45
2X9	20.00	22.80	24.95
2X10	22.50	25.30	27.45
2X11	25.00	27.80	29.95
2X12	27.50	30.30	32.45
2X13	30.00	32.80	34.95
2X14	32.50	35.30	37.45
2X15	35.00	37.80	39.95

Material (材料)

Housing (胶壳): Nylon (尼龙) UL94-V0(2)  
Wafer (接触件): Brass (黄铜) / Tin plated (镀锡)

符合RoHS标准  
RoHS compliance  
注: 镀金产品请联系DLL  
Note: Contact DLL for gold-plated products.