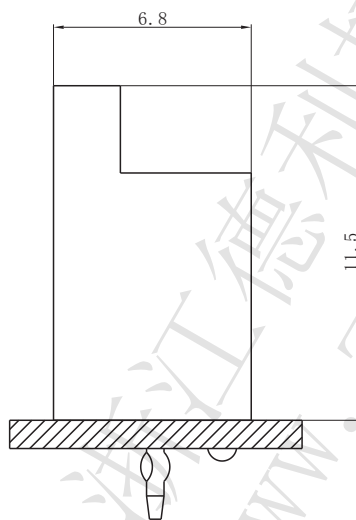


技术特性/Specifications:

额定电压 Rated voltage: 250V AC, DC
 额定电流 Rated current: 3A AC, DC
 接触电阻 Contact resistance: 20mΩ max
 绝缘电阻 Insulation resistance: 1000MΩ min
 耐压 Withstand voltage: 1000V AC/minute
 环境温度 Ambient temperature: -25°C~+85°C
 适用线规 Wire range: AWG#28~#22

PC电路板布局和组件布局 PC board layout and Assembly layout

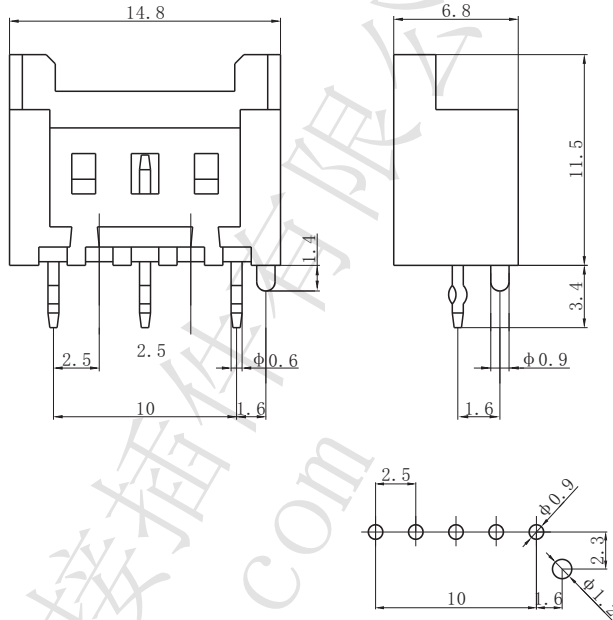
▣ Assembly layout (装配布局)



上图为连接器安装侧观察图

Notes: The above figure is the figure viewed from the connector mounting side.

□ DL25019-5A3 (53375-5A3)



Material (材料)

Housing (胶壳): Nylon (尼龙) UL94- V0 (2)

Wafer (接触件): Brass (黄铜) / Tin plated (镀锡)

符合RoHS标准
RoHS compliance
注: 镀金产品请联系DLL
Note: Contact DLL for gold-plated products.