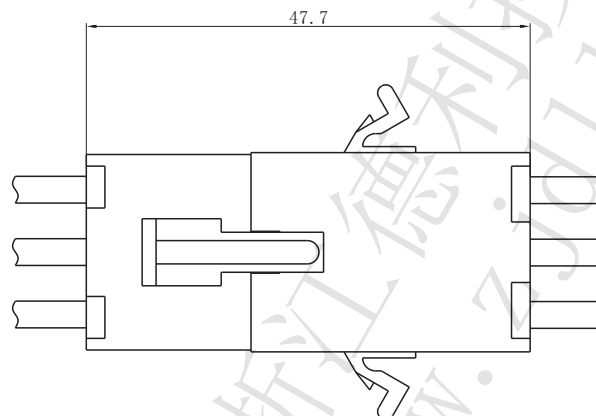


技术特性/Specifications:

额定电压 Rated voltage: 300V AC, DC
 额定电流 Rated current: 12~8A AC, DC
 接触电阻 Contact resistance: 20mΩ max
 绝缘电阻 Insulation resistance: 1000MΩ min
 耐压 Withstand voltage: 1500V AC/minute
 环境温度 Ambient temperature: -25°C~+85°C
 适用线规 Wire range: AWG#20~#14

PC电路板布局和组件布局 PC board layout and Assembly layout

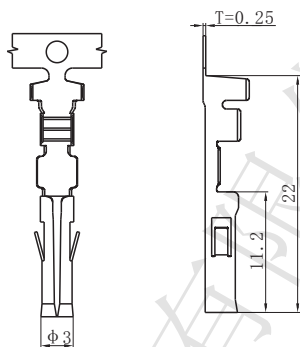
▣ Assembly layout (装配布局)



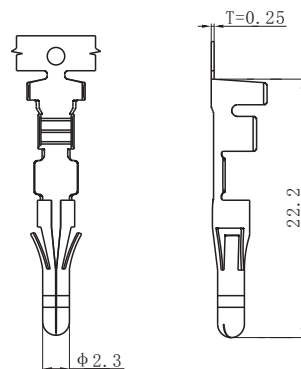
上图为连接器安装侧观察图

Notes: The above figure is the figure viewed from the connector mounting side.

□ DL67001-T (3191-T)



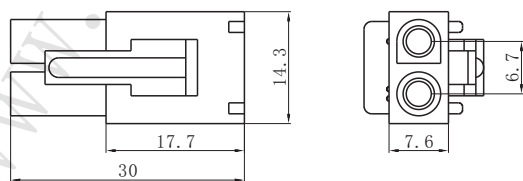
□ DL67001-RT (3191-RT)



Model No. (型号)	Applicable wire (适用线规)			Material (材料)	Plating (电镀)	Qty/reel (数量/盘)
	mm ²	AWG#	Insulation O.D. (绝缘外径mm)			
DL67001-T (3191-T)	0.52~2.08	20~14	φ1.7~3.4	Phosphor bronze (磷青铜)	Tin Plated (镀锡)	3000
DL67001-RT (3191-RT)	0.52~2.08	20~14	φ1.7~3.4	Phosphor bronze (磷青铜)	Tin Plated (镀锡)	3000

符合RoHS标准
RoHS compliance
注：镀金产品请联系DLL
Note: Contact DLL for gold-plated products.

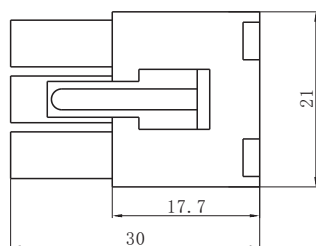
□ DL67001-2Y (3191-2Y)



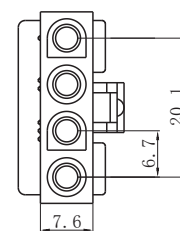
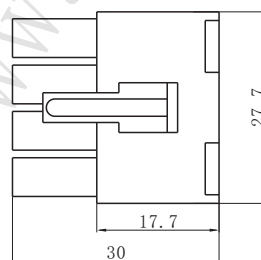
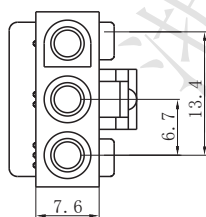
Material (材料)
Housing (胶壳): Nylon (尼龙) UL94-V0 (2)

符合RoHS标准
RoHS compliance

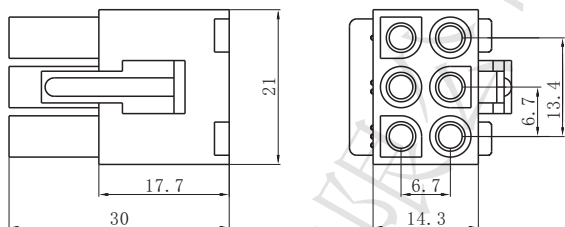
□ DL67001-3Y (3191-3Y)



□ DL67001-4Y (3191-4Y)



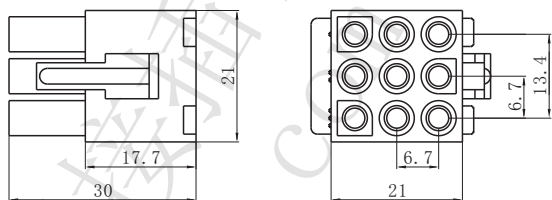
DL67001-6Y (3191-6Y)



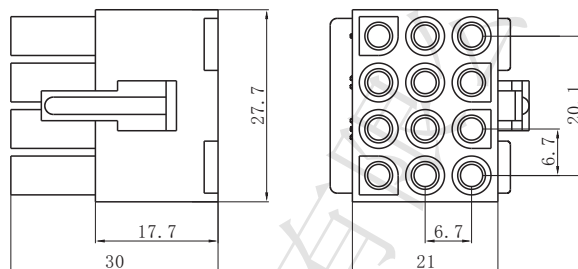
Material (材料)
Housing (胶壳): Nylon (尼龙) UL94-V0 (2)

符合RoHS标准
RoHS compliance

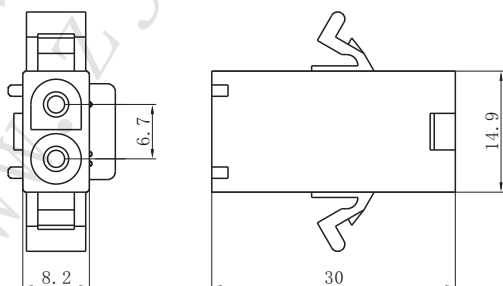
DL67001-9Y (3191-9Y)



DL67001-12Y (3191-12Y)



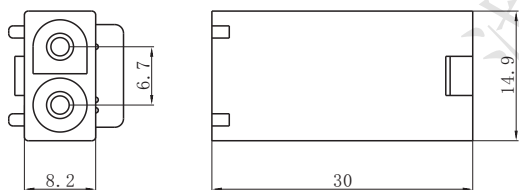
DL67001-2R (3191-2R)



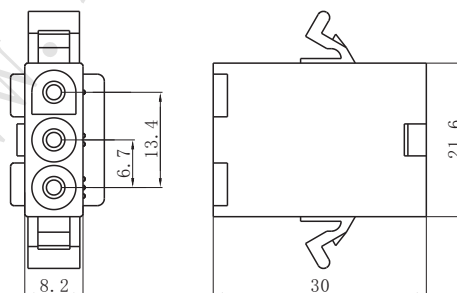
Material (材料)
Housing (胶壳): Nylon (尼龙) UL94-V0 (2)

符合RoHS标准
RoHS compliance

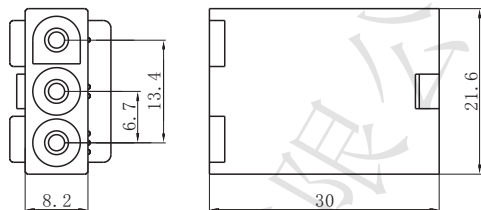
DL67001-2RF (3191-2RF)



DL67001-3R (3191-3R)



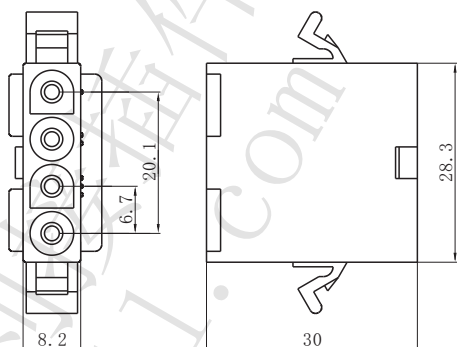
□ DL67001-3RF (3191-3RF)



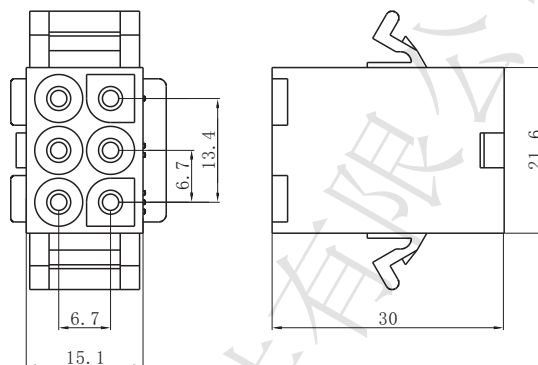
Material (材料)
Housing (胶壳): Nylon (尼龙) UL94-V0 (2)

符合RoHS标准
RoHS compliance

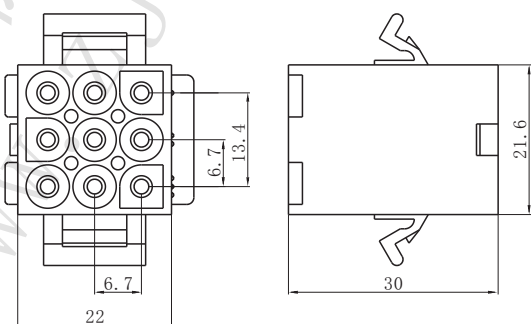
□ DL67001-4R (3191-4R)



□ DL67001-6R (3191-6R)



□ DL67001-9R (3191-9R)



□ DL67001-12R (3191-12R)

