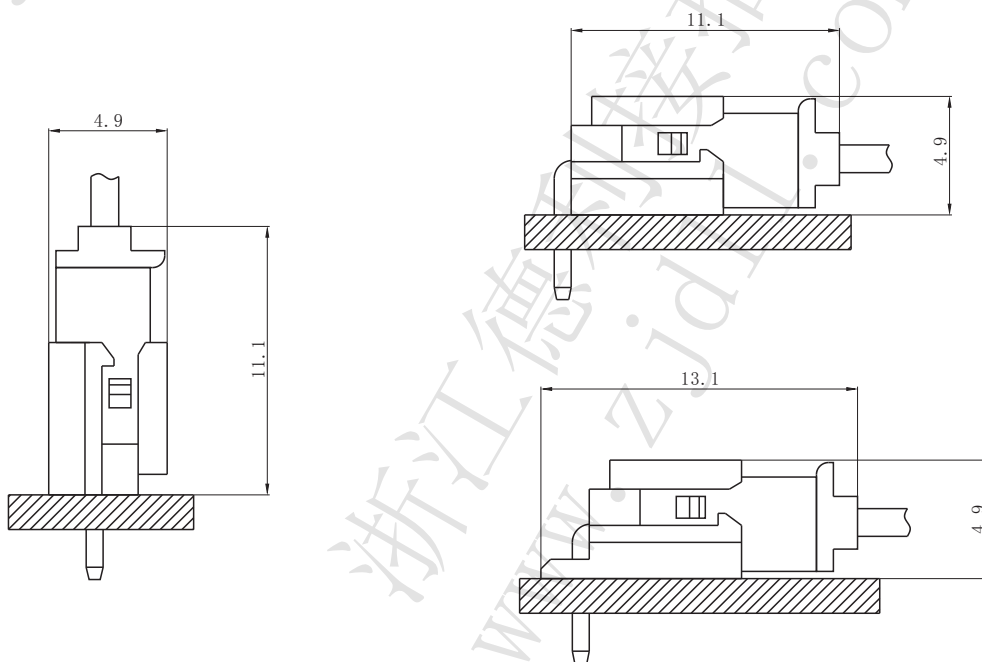


**技术特性/Specifications:**

额定电压 Rated voltage: 250V AC, DC  
 额定电流 Rated current: 3A AC, DC  
 接触电阻 Contact resistance: 20mΩ max  
 绝缘电阻 Insulation resistance: 1000MΩ min  
 耐压 Withstand voltage: 1000V AC/minute  
 环境温度 Ambient temperature: -25°C~+85°C  
 适用线规 Wire range: AWG#28~#22

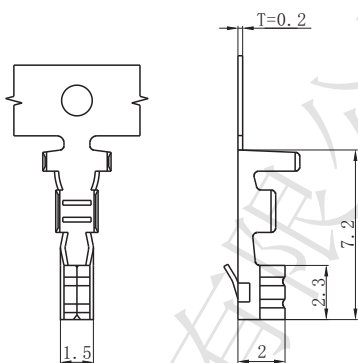
**PC电路板布局和组件布局 PC board layout and Assembly layout**

□ Assembly layout (装配布局)



上图为连接器安装侧观察图  
 Notes: The above figure is the figure viewed from the connector mounting side.

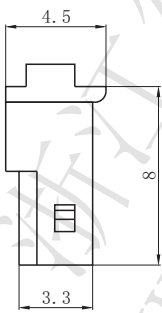
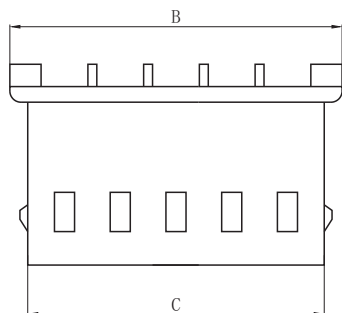
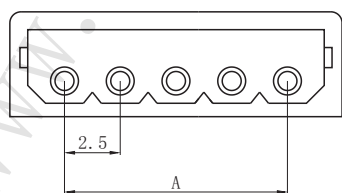
□ DL25013-T (5264-T)



Model No. (型号)	Applicable wire (适用线规)			Material (材料)	Plating (电镀)	Qty/reel (数量/盘)
	mm <sup>2</sup>	AWG#	Insulation O.D. (绝缘外径mm)			
DL25013-T(5264-T)	0.06~0.33	28~22	φ1.2~1.9	Phosphor bronze (磷青铜)	Tin Plated (镀锡)	10000

符合RoHS标准  
RoHS compliance  
注：镀金产品请联系DLL  
Note: Contact DLL for gold-plated products.

□ DL25013-Y (5264-Y)



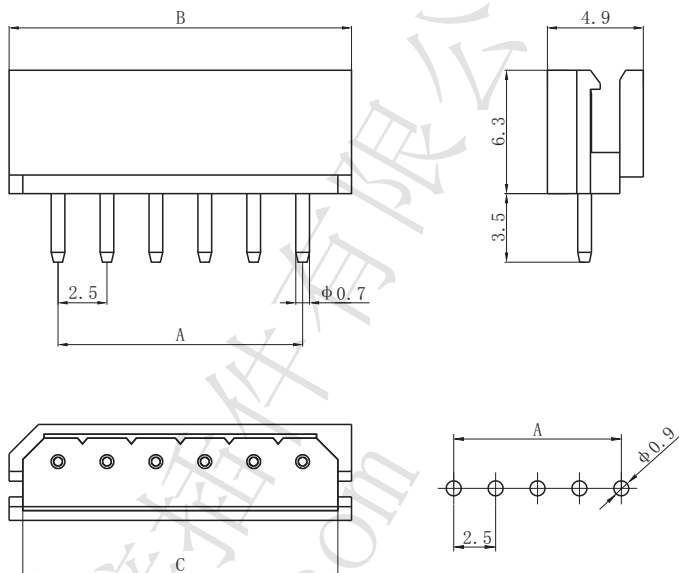
Circuits (电路)	Dimensions (尺寸mm)		
	A	B	C
2	2.50	7.50	5.80
3	5.00	10.00	8.30
4	7.50	12.50	10.80
5	10.00	15.00	13.30
6	12.50	17.50	15.80
7	15.00	20.00	18.30
8	17.50	22.50	20.80
9	20.00	25.00	23.30
10	22.50	27.50	25.80
11	25.00	30.00	28.30
12	27.50	32.50	30.80
13	30.00	35.00	33.30
14	32.50	37.50	35.80
15	35.00	40.00	38.30

Material (材料)

Housing (胶壳): Nylon (尼龙) UL94- V0 (2)

符合RoHS标准  
RoHS compliance

□ DL25013-A (5264-A)

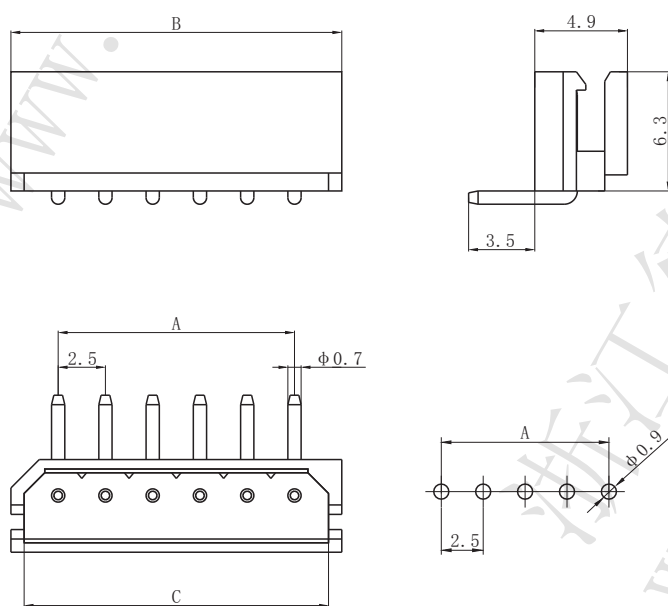


Circuits (电路)	Dimensions (尺寸mm)		
	A	B	C
2	2.50	7.40	6.10
3	5.00	9.90	8.60
4	7.50	12.40	11.10
5	10.00	14.90	13.60
6	12.50	17.40	16.10
7	15.00	19.90	18.60
8	17.50	22.40	21.10
9	20.00	24.90	23.60
10	22.50	27.40	26.10
11	25.00	29.90	28.60
12	27.50	32.40	31.10
13	30.00	34.90	33.60
14	32.50	37.40	36.10
15	35.00	39.90	38.60

Material (材料)	
Housing (胶壳):	Nylon (尼龙) UL94-V0(2)
Wafer (接触件):	Brass (黄铜)/Tin plated (镀锡)

符合RoHS标准  
RoHS compliance  
注: 镀金产品请联系DLL  
Note: Contact DLL for gold-plated products.

□ DL25013-AW (5264-AW)

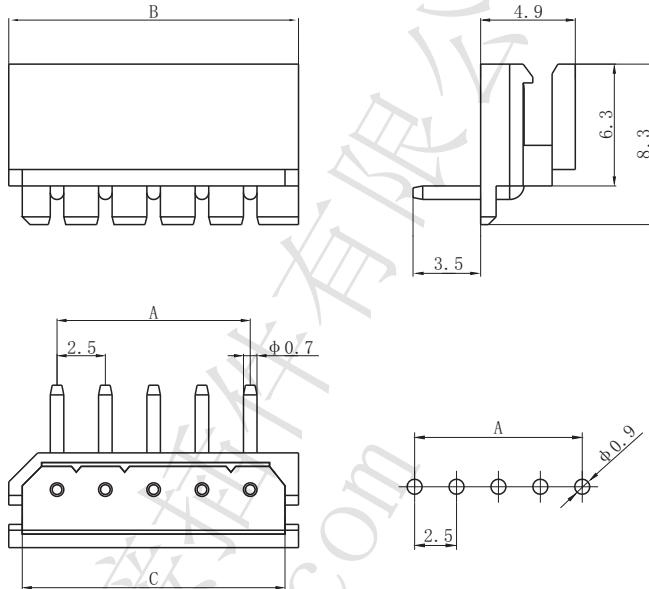


Circuits (电路)	Dimensions (尺寸mm)		
	A	B	C
2	2.50	7.40	6.10
3	5.00	9.90	8.60
4	7.50	12.40	11.10
5	10.00	14.90	13.60
6	12.50	17.40	16.10
7	15.00	19.90	18.60
8	17.50	22.40	21.10
9	20.00	24.90	23.60
10	22.50	27.40	26.10
11	25.00	29.90	28.60
12	27.50	32.40	31.10
13	30.00	34.90	33.60
14	32.50	37.40	36.10
15	35.00	39.90	38.60

Material (材料)	
Housing (胶壳):	Nylon (尼龙) UL94-V0(2)
Wafer (接触件):	Brass (黄铜)/Tin plated (镀锡)

符合RoHS标准  
RoHS compliance  
注: 镀金产品请联系DLL  
Note: Contact DLL for gold-plated products.

□ DL25013-AWD (5264-AWD)



Circuits (电路)	Dimensions (尺寸mm)		
	A	B	C
2	2.50	7.40	6.10
3	5.00	9.90	8.60
4	7.50	12.40	11.10
5	10.00	14.90	13.60
6	12.50	17.40	16.10
7	15.00	19.90	18.60
8	17.50	22.40	21.10
9	20.00	24.90	23.60
10	22.50	27.40	26.10
11	25.00	29.90	28.60
12	27.50	32.40	31.10
13	30.00	34.90	33.60
14	32.50	37.40	36.10
15	35.00	39.90	38.60

Material (材料)

Housing (胶壳): Nylon (尼龙) UL94-V0(2)

Wafer (接触件): Brass (黄铜) / Tin plated (镀锡)

符合RoHS标准

RoHS compliance

注: 镀金产品请联系DLL

Note: Contact DLL for gold-plated products.