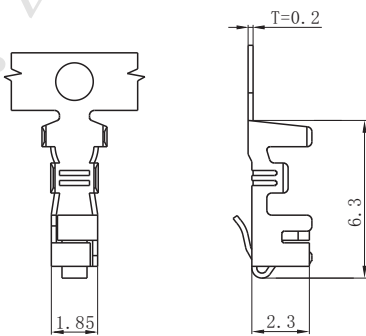


技术特性/Specifications:

额定电压 Rated voltage: 250V AC, DC
 额定电流 Rated current: 3A AC, DC
 接触电阻 Contact resistance: 20mΩ max
 绝缘电阻 Insulation resistance: 1000MΩ min
 耐压 Withstand voltage: 1000V AC/minute
 环境温度 Ambient temperature: -25°C~+85°C
 适用线规 Wire range: AWG#28~#22

PC board layout and Assembly layout

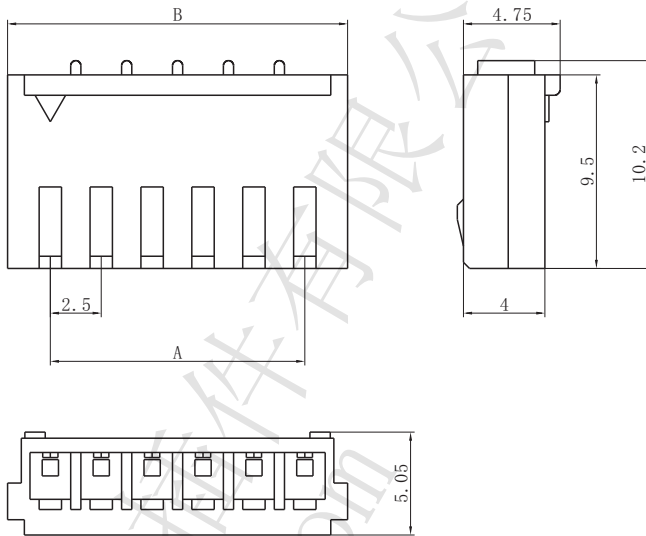
DL25005-T (TJC3H-T)



Model No. (型号)	Applicable wire (适用线规)			Material (材料)	Plating (电镀)	Qty/reel (数量/盘)
	mm ²	AWG#	Insulation O.D. (绝缘外径mm)			
DL25005-T (TJC3H-T)	0.08~0.33	28~22	φ 1.2~1.9	Phosphor bronze (磷青铜)	Tin Plated (镀锡)	7000

符合RoHS标准
 RoHS compliance
 注: 镀金产品请联系DLL
 Note: Contact DLL for gold-plated products.

□ DL25005-Y (TJC3H-Y)



Circuits (电路)	Dimensions (尺寸mm)	
	A	B
2	2.50	6.70
3	5.00	9.20
4	7.50	11.70
5	10.00	14.20
6	12.50	16.70
7	15.00	19.20
8	17.50	21.70
9	20.00	24.20
10	22.50	26.70
11	25.00	29.20
12	27.50	31.70
13	30.00	34.20
14	32.50	36.70
15	35.00	39.20
16	37.50	41.70

Material (材料)

Housing (胶壳): Nylon (尼龙) UL94-V0 (2)

符合RoHS标准
RoHS compliance