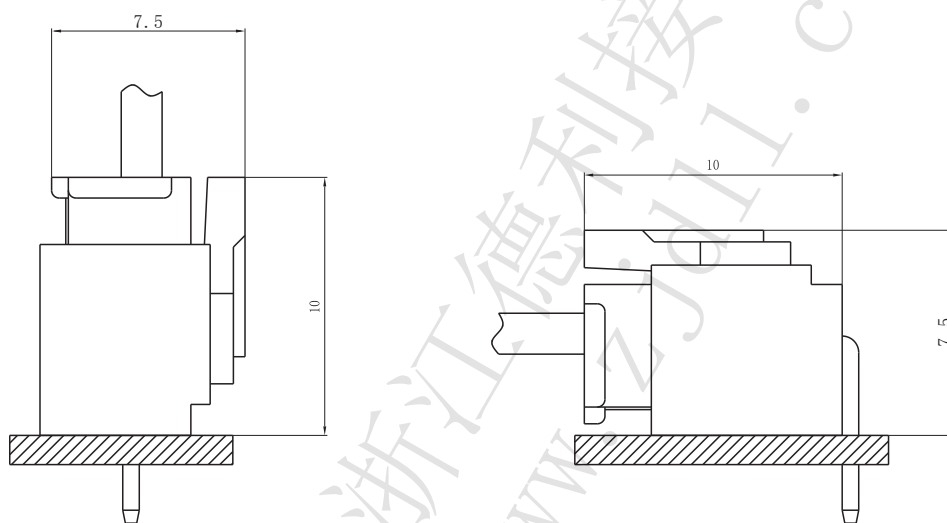


**技术特性/Specifications:**

额定电压 Rated voltage: 250V AC, DC  
 额定电流 Rated current: 3A AC, DC  
 接触电阻 Contact resistance: 20mΩ max  
 绝缘电阻 Insulation resistance: 1000MΩ min  
 耐压 Withstand voltage: 1000V AC/minute  
 环境温度 Ambient temperature: -25°C~+85°C  
 适用线规 Wire range: AWG#28~#22

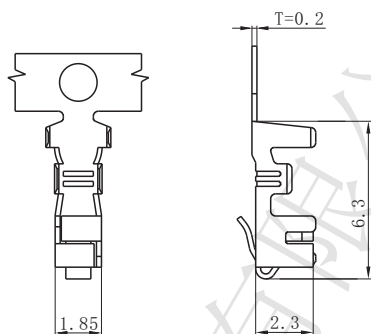
**PC电路板布局和组件布局 PC board layout and Assembly layout**

□ Assembly layout (装配布局)



上图为连接器安装侧观察图  
 Notes: The above figure is the figure viewed from the connector mounting side.

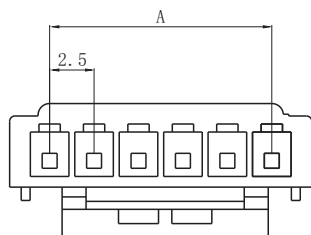
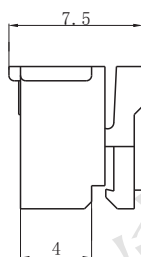
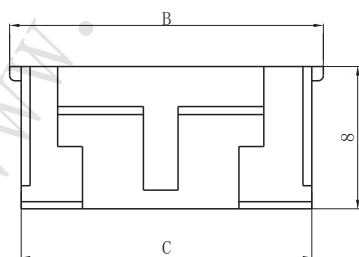
□ DL25003-T (TJC3C-T)



| Model No. (型号)      | Applicable wire (适用线规) |       |                          | Material (材料)         | Plating (电镀)    | Qty/reel (数量/盘) |
|---------------------|------------------------|-------|--------------------------|-----------------------|-----------------|-----------------|
|                     | mm <sup>2</sup>        | AWG#  | Insulation O.D. (绝缘外径mm) |                       |                 |                 |
| DL25003-T (TJC3C-T) | 0.08~0.33              | 28~22 | φ1.2~1.9                 | Phosphor bronze (磷青铜) | Tin Plated (镀锡) | 7000            |

符合RoHS标准  
RoHS compliance  
注：镀金产品请联系DLL  
Note: Contact DLL for gold-plated products.

□ DL25003-Y (TJC3C-Y)



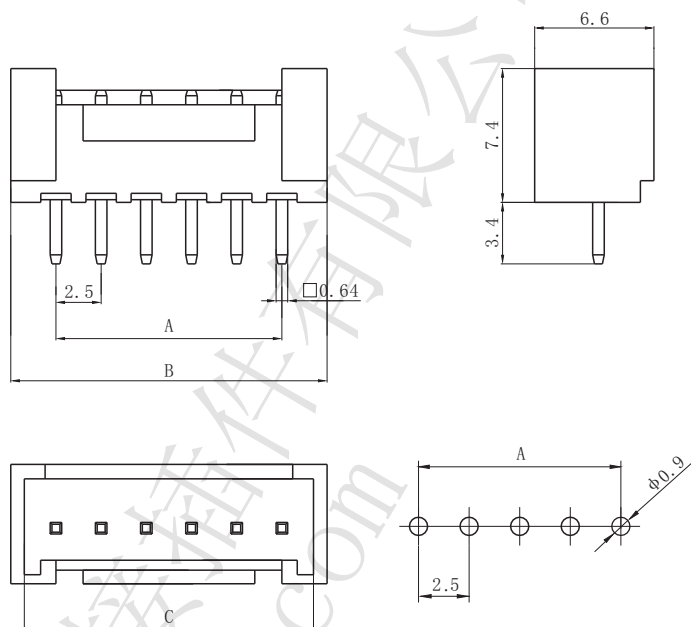
| Circuits (电路) | Dimensions (尺寸mm) |       |       |
|---------------|-------------------|-------|-------|
|               | A                 | B     | C     |
| 2             | 2.50              | 7.10  | 5.80  |
| 3             | 5.00              | 9.60  | 8.30  |
| 4             | 7.50              | 12.10 | 10.80 |
| 5             | 10.00             | 14.60 | 13.30 |
| 6             | 12.50             | 17.10 | 15.80 |
| 7             | 15.00             | 19.60 | 18.30 |
| 8             | 17.50             | 22.10 | 20.80 |
| 9             | 20.00             | 24.60 | 23.30 |
| 10            | 22.50             | 27.10 | 25.80 |
| 11            | 25.00             | 29.60 | 28.30 |
| 12            | 27.50             | 32.10 | 30.80 |
| 13            | 30.00             | 34.60 | 33.30 |
| 14            | 32.50             | 37.10 | 35.80 |
| 15            | 35.00             | 39.60 | 38.30 |
| 16            | 37.50             | 42.10 | 40.80 |
| 17            | 40.00             | 44.60 | 43.30 |
| 18            | 42.50             | 47.10 | 45.80 |
| 19            | 45.00             | 49.60 | 48.30 |
| 20            | 47.50             | 52.10 | 50.80 |

Material (材料)

Housing (胶壳): Nylon (尼龙) UL94- V0 (2)

符合RoHS标准  
RoHS compliance

□ DL25003-A (TJC3C-A)



| Circuits<br>(电路) | Dimensions (尺寸mm) |       |       |
|------------------|-------------------|-------|-------|
|                  | A                 | B     | C     |
| 2                | 2.50              | 7.50  | 6.00  |
| 3                | 5.00              | 10.00 | 8.50  |
| 4                | 7.50              | 12.50 | 11.00 |
| 5                | 10.00             | 15.00 | 13.50 |
| 6                | 12.50             | 17.50 | 16.00 |
| 7                | 15.00             | 20.00 | 18.50 |
| 8                | 17.50             | 22.50 | 21.00 |
| 9                | 20.00             | 25.00 | 23.50 |
| 10               | 22.50             | 27.50 | 26.00 |
| 11               | 25.00             | 30.00 | 28.50 |
| 12               | 27.50             | 32.50 | 31.00 |
| 13               | 30.00             | 35.00 | 33.50 |
| 14               | 32.50             | 37.50 | 36.00 |
| 15               | 35.00             | 40.00 | 38.50 |
| 16               | 37.50             | 42.50 | 41.00 |
| 17               | 40.00             | 45.00 | 43.50 |
| 18               | 42.50             | 47.50 | 46.00 |
| 19               | 45.00             | 50.00 | 48.50 |
| 20               | 47.50             | 52.50 | 51.00 |

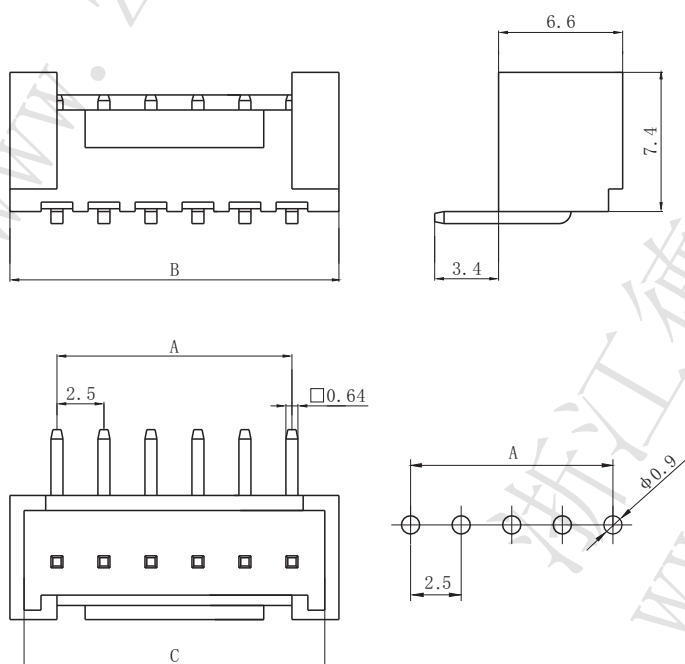
Material (材料)

Housing (胶壳): Nylon (尼龙) UL94- V0 (2)

Wafer (接触件): Brass (黄铜) / Tin plated (镀锡)

符合RoHS标准  
RoHS compliance  
注: 镀金产品请联系DLL  
Note: Contact DLL for gold-plated products.

□ DL25003-AW (TJC3C-AW)



| Circuits<br>(电路) | Dimensions (尺寸mm) |       |       |
|------------------|-------------------|-------|-------|
|                  | A                 | B     | C     |
| 2                | 2.50              | 7.50  | 6.00  |
| 3                | 5.00              | 10.00 | 8.50  |
| 4                | 7.50              | 12.50 | 11.00 |
| 5                | 10.00             | 15.00 | 13.50 |
| 6                | 12.50             | 17.50 | 16.00 |
| 7                | 15.00             | 20.00 | 18.50 |
| 8                | 17.50             | 22.50 | 21.00 |
| 9                | 20.00             | 25.00 | 23.50 |
| 10               | 22.50             | 27.50 | 26.00 |
| 11               | 25.00             | 30.00 | 28.50 |
| 12               | 27.50             | 32.50 | 31.00 |
| 13               | 30.00             | 35.00 | 33.50 |
| 14               | 32.50             | 37.50 | 36.00 |
| 15               | 35.00             | 40.00 | 38.50 |
| 16               | 37.50             | 42.50 | 41.00 |
| 17               | 40.00             | 45.00 | 43.50 |
| 18               | 42.50             | 47.50 | 46.00 |
| 19               | 45.00             | 50.00 | 48.50 |
| 20               | 47.50             | 52.50 | 51.00 |

Material (材料)

Housing (胶壳): Nylon (尼龙) UL94- V0 (2)

Wafer (接触件): Brass (黄铜) / Tin plated (镀锡)

符合RoHS标准  
RoHS compliance  
注: 镀金产品请联系DLL  
Note: Contact DLL for gold-plated products.