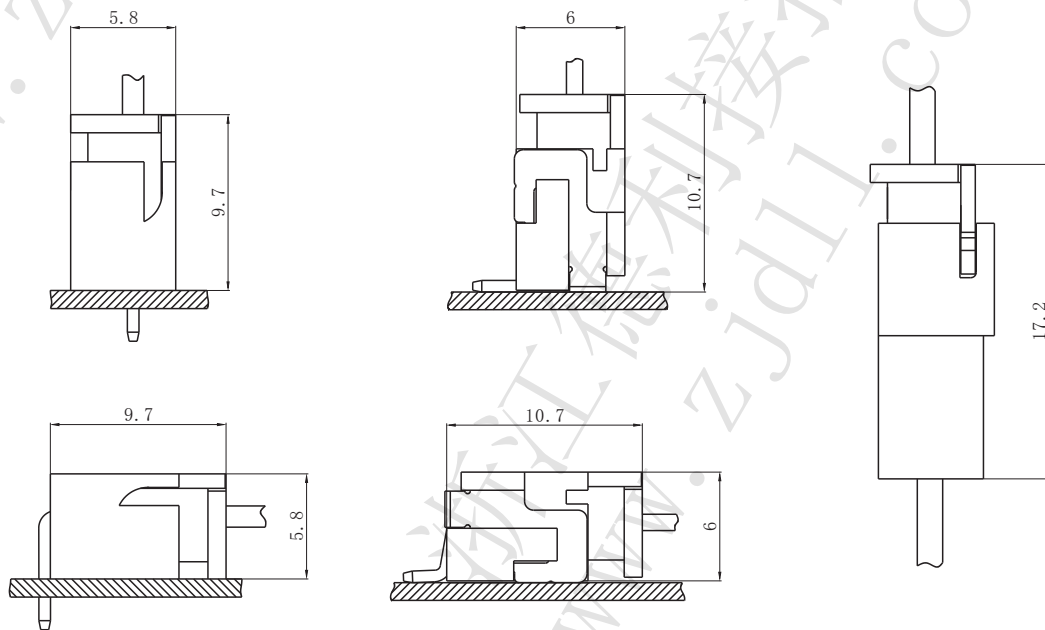


技术特性/Specifications:

额定电压 Rated voltage: 250V AC, DC
 额定电流 Rated current: 3A AC, DC
 接触电阻 Contact resistance: 20mΩ max
 绝缘电阻 Insulation resistance: 1000MΩ min
 耐压 Withstand voltage: 1000V AC/minute
 环境温度 Ambient temperature: -25°C~+85°C
 适用线规 Wire range: AWG#28~#22

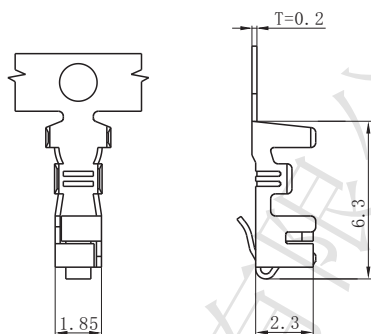
PC电路板布局和组件布局 PC board layout and Assembly layout

▣ Assembly layout (装配布局)

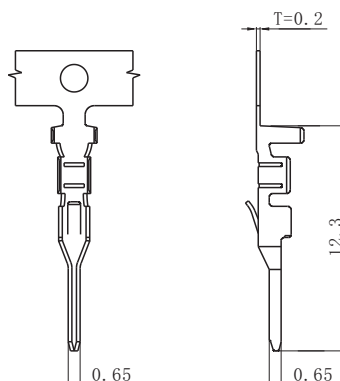


上图 为连接器安装侧观察图
 Notes: The above figure is the figure viewed from the connector mounting side.

DL25001-T (TJC3-T)



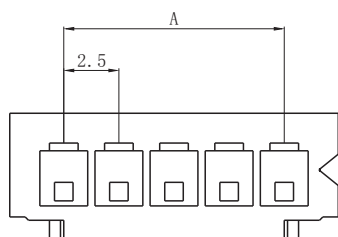
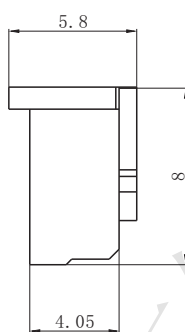
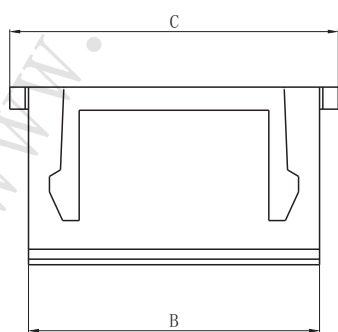
DL25001-RT (TJC3-RT)



| Model No. (型号) | Applicable wire (适用线规) | | | Material (材料) | Plating (电镀) | Qty/reel (数量/盘) |
|----------------------|------------------------|-------|---------------------------|-----------------------|-----------------|-----------------|
| | mm ² | AWG# | Insulation O. D. (绝缘外径mm) | | | |
| DL25001-T (TJC3-T) | 0.08~0.33 | 28~22 | φ1.2~1.9 | Phosphor bronze (磷青铜) | Tin Plated (镀锡) | 7000 |
| DL25001-RT (TJC3-RT) | 0.08~0.33 | 28~22 | φ1.2~1.9 | Phosphor bronze (磷青铜) | Tin Plated (镀锡) | 7000 |

符合RoHS标准
RoHS compliance
注：镀金产品请联系DLL
Note: Contact DLL for gold-plated products.

DL25001-Y (TJC3-Y)



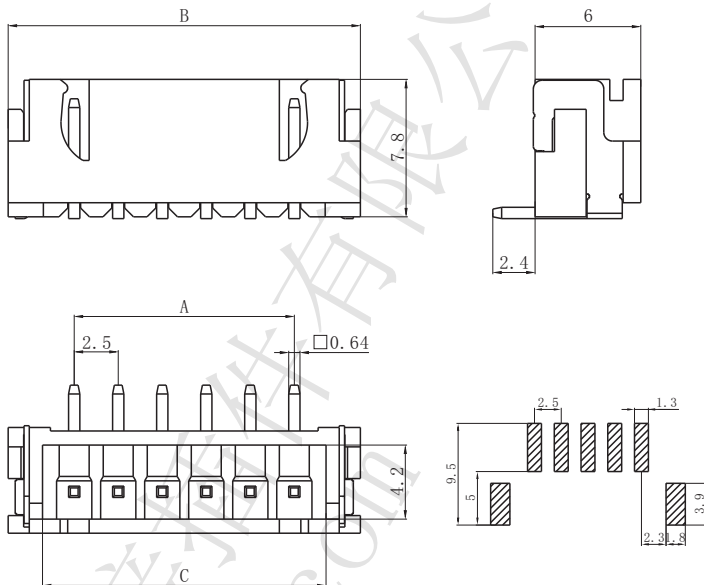
| Circuits (电路) | Dimensions (尺寸mm) | | |
|---------------|-------------------|-------|-------|
| | A | B | C |
| 2 | 2.50 | 5.70 | 7.30 |
| 3 | 5.00 | 8.20 | 9.80 |
| 4 | 7.50 | 10.70 | 12.30 |
| 5 | 10.00 | 13.20 | 14.80 |
| 6 | 12.50 | 15.70 | 17.30 |
| 7 | 15.00 | 18.20 | 19.80 |
| 8 | 17.50 | 20.70 | 22.30 |
| 9 | 20.00 | 23.20 | 24.80 |
| 10 | 22.50 | 25.70 | 27.30 |
| 11 | 25.00 | 28.20 | 29.80 |
| 12 | 27.50 | 30.70 | 32.30 |
| 13 | 30.00 | 33.20 | 34.80 |
| 14 | 32.50 | 35.70 | 37.30 |
| 15 | 35.00 | 38.20 | 39.80 |
| 16 | 37.50 | 40.70 | 42.30 |
| 17 | 40.00 | 43.20 | 44.80 |
| 18 | 42.50 | 45.70 | 47.30 |
| 19 | 45.00 | 48.20 | 49.80 |
| 20 | 47.50 | 50.70 | 52.30 |

Material (材料)

Housing (胶壳): Nylon (尼龙) UL94- V0 (2)

符合RoHS标准
RoHS compliance

DL25001-AB (TJC3-AB)



| Circuits (电路) | Dimensions (尺寸mm) | | |
|------------------|-------------------|-------|-------|
| | A | B | C |
| 2 | 2.50 | 10.00 | 5.95 |
| 3 | 5.00 | 12.50 | 8.45 |
| 4 | 7.50 | 15.00 | 10.95 |
| 5 | 10.00 | 17.50 | 13.45 |
| 6 | 12.50 | 20.00 | 15.95 |
| 7 | 15.00 | 22.50 | 18.45 |
| 8 | 17.50 | 25.00 | 20.95 |
| 9 | 20.00 | 27.50 | 23.45 |
| 10 | 22.50 | 30.00 | 25.95 |
| 11 | 25.00 | 32.50 | 28.45 |
| 12 | 27.50 | 35.00 | 30.95 |
| 13 | 30.00 | 37.50 | 33.45 |
| 14 | 32.50 | 40.00 | 35.95 |
| 15 | 35.00 | 42.50 | 38.45 |
| 16 | 37.50 | 45.00 | 40.95 |
| 17 | 40.00 | 47.50 | 43.45 |
| 18 | 42.50 | 50.00 | 45.95 |
| 19 | 45.00 | 52.50 | 48.45 |
| 20 | 47.50 | 55.00 | 50.95 |

Material (材料)

Housing (胶壳): LCP UL94-V0

Wafer (接触件): Brass (黄铜) / Tin plated (镀锡)

Solder tabs (焊片): Brass (黄铜) / Tin plated (镀锡)

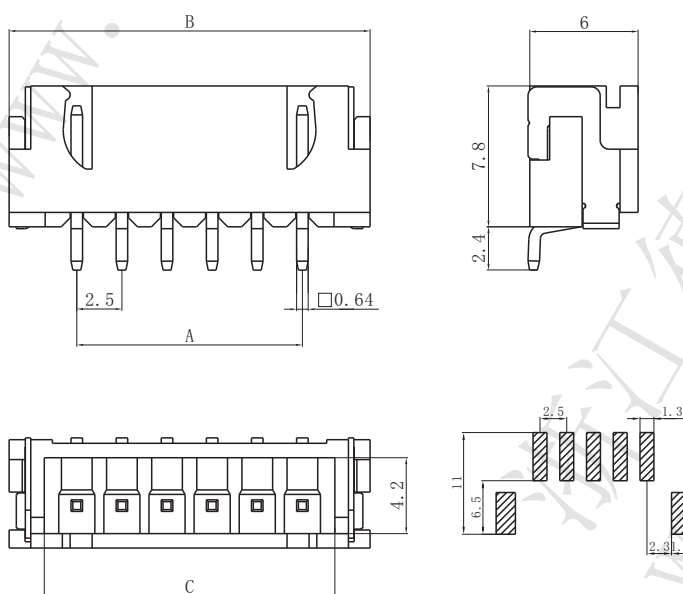
符合RoHS标准

RoHS compliance

注: 镀金产品请联系DLL

Note: Contact DLL for gold-plated products.

DL25001-AWB (TJC3-AWB)



| Circuits (电路) | Dimensions (尺寸mm) | | |
|------------------|-------------------|-------|-------|
| | A | B | C |
| 2 | 2.50 | 10.00 | 5.95 |
| 3 | 5.00 | 12.50 | 8.45 |
| 4 | 7.50 | 15.00 | 10.95 |
| 5 | 10.00 | 17.50 | 13.45 |
| 6 | 12.50 | 20.00 | 15.95 |
| 7 | 15.00 | 22.50 | 18.45 |
| 8 | 17.50 | 25.00 | 20.95 |
| 9 | 20.00 | 27.50 | 23.45 |
| 10 | 22.50 | 30.00 | 25.95 |
| 11 | 25.00 | 32.50 | 28.45 |
| 12 | 27.50 | 35.00 | 30.95 |
| 13 | 30.00 | 37.50 | 33.45 |
| 14 | 32.50 | 40.00 | 35.95 |
| 15 | 35.00 | 42.50 | 38.45 |
| 16 | 37.50 | 45.00 | 40.95 |
| 17 | 40.00 | 47.50 | 43.45 |
| 18 | 42.50 | 50.00 | 45.95 |
| 19 | 45.00 | 52.50 | 48.45 |
| 20 | 47.50 | 55.00 | 50.95 |

Material (材料)

Housing (胶壳): LCP UL94-V0

Wafer (接触件): Brass (黄铜) / Tin plated (镀锡)

Solder tabs (焊片): Brass (黄铜) / Tin plated (镀锡)

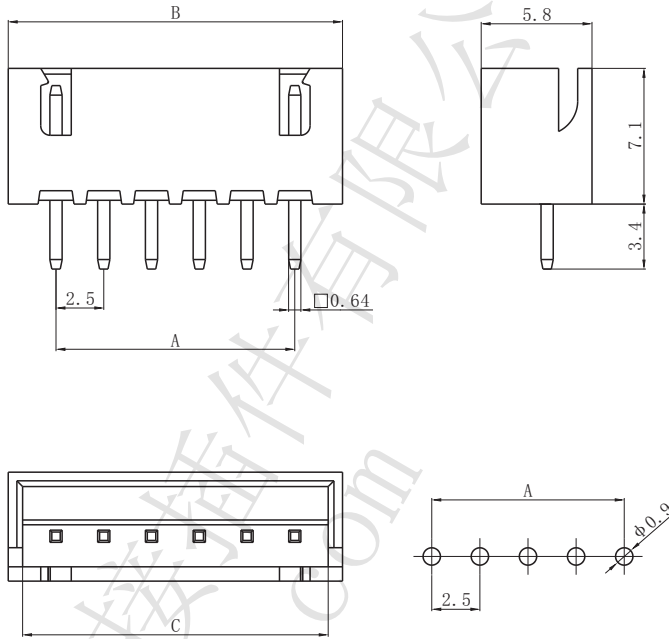
符合RoHS标准

RoHS compliance

注: 镀金产品请联系DLL

Note: Contact DLL for gold-plated products.

DL25001-A (TJC3-A)



| Circuits (电路) | Dimensions (尺寸mm) | | |
|------------------|-------------------|-------|-------|
| | A | B | C |
| 2 | 2.50 | 7.50 | 6.00 |
| 3 | 5.00 | 10.00 | 8.50 |
| 4 | 7.50 | 12.50 | 11.00 |
| 5 | 10.00 | 15.00 | 13.50 |
| 6 | 12.50 | 17.50 | 16.00 |
| 7 | 15.00 | 20.00 | 18.50 |
| 8 | 17.50 | 22.50 | 21.00 |
| 9 | 20.00 | 25.00 | 23.50 |
| 10 | 22.50 | 27.50 | 26.00 |
| 11 | 25.00 | 30.00 | 28.50 |
| 12 | 27.50 | 32.50 | 31.00 |
| 13 | 30.00 | 35.00 | 33.50 |
| 14 | 32.50 | 37.50 | 36.00 |
| 15 | 35.00 | 40.00 | 38.50 |
| 16 | 37.50 | 42.50 | 41.00 |
| 17 | 40.00 | 45.00 | 43.50 |
| 18 | 42.50 | 47.50 | 46.00 |
| 19 | 45.00 | 50.00 | 48.50 |
| 20 | 47.50 | 52.50 | 51.00 |

Material (材料)

Housing (胶壳): Nylon (尼龙) UL94- V0 (2)

Wafer (接触件): Brass (黄铜) / Tin plated (镀锡)

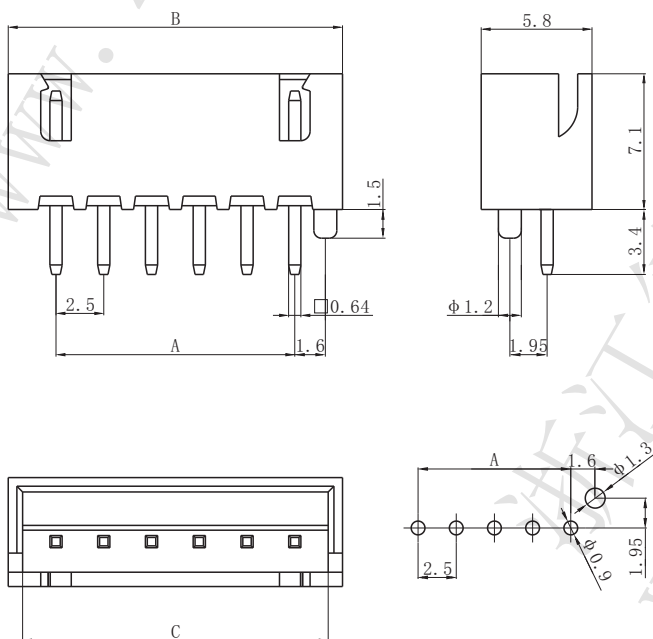
符合RoHS标准

RoHS compliance

注: 镀金产品请联系DLL

Note: Contact DLL for gold-plated products.

DL25001-AS (TJC3-AS)



| Circuits (电路) | Dimensions (尺寸mm) | | |
|------------------|-------------------|-------|-------|
| | A | B | C |
| 2 | 2.50 | 7.50 | 6.00 |
| 3 | 5.00 | 10.00 | 8.50 |
| 4 | 7.50 | 12.50 | 11.00 |
| 5 | 10.00 | 15.00 | 13.50 |
| 6 | 12.50 | 17.50 | 16.00 |
| 7 | 15.00 | 20.00 | 18.50 |
| 8 | 17.50 | 22.50 | 21.00 |
| 9 | 20.00 | 25.00 | 23.50 |
| 10 | 22.50 | 27.50 | 26.00 |
| 11 | 25.00 | 30.00 | 28.50 |
| 12 | 27.50 | 32.50 | 31.00 |
| 13 | 30.00 | 35.00 | 33.50 |
| 14 | 32.50 | 37.50 | 36.00 |
| 15 | 35.00 | 40.00 | 38.50 |
| 16 | 37.50 | 42.50 | 41.00 |
| 17 | 40.00 | 45.00 | 43.50 |
| 18 | 42.50 | 47.50 | 46.00 |
| 19 | 45.00 | 50.00 | 48.50 |
| 20 | 47.50 | 52.50 | 51.00 |

Material (材料)

Housing (胶壳): Nylon (尼龙) UL94- V0 (2)

Wafer (接触件): Brass (黄铜) / Tin plated (镀锡)

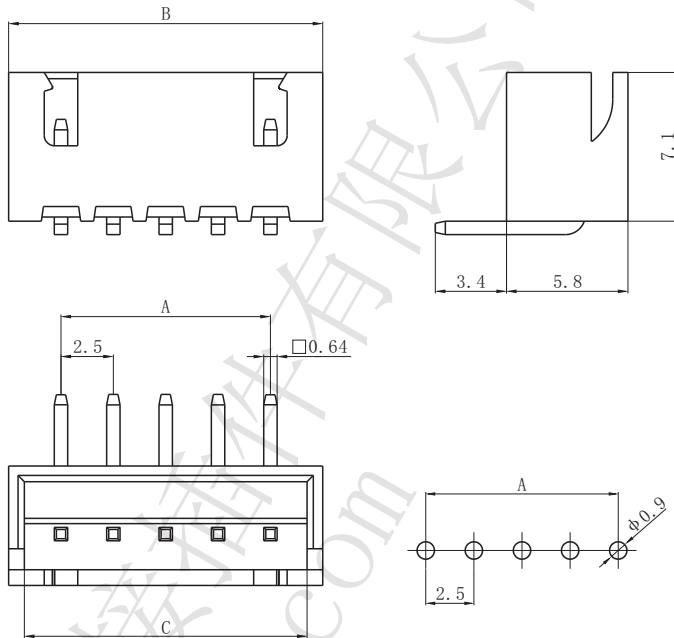
符合RoHS标准

RoHS compliance

注: 镀金产品请联系DLL

Note: Contact DLL for gold-plated products.

DL25001-AW (TJC3-AW)



| Circuits (电路) | Dimensions (尺寸mm) | | |
|------------------|-------------------|-------|-------|
| | A | B | C |
| 2 | 2.50 | 7.50 | 6.00 |
| 3 | 5.00 | 10.00 | 8.50 |
| 4 | 7.50 | 12.50 | 11.00 |
| 5 | 10.00 | 15.00 | 13.50 |
| 6 | 12.50 | 17.50 | 16.00 |
| 7 | 15.00 | 20.00 | 18.50 |
| 8 | 17.50 | 22.50 | 21.00 |
| 9 | 20.00 | 25.00 | 23.50 |
| 10 | 22.50 | 27.50 | 26.00 |
| 11 | 25.00 | 30.00 | 28.50 |
| 12 | 27.50 | 32.50 | 31.00 |
| 13 | 30.00 | 35.00 | 33.50 |
| 14 | 32.50 | 37.50 | 36.00 |
| 15 | 35.00 | 40.00 | 38.50 |
| 16 | 37.50 | 42.50 | 41.00 |
| 17 | 40.00 | 45.00 | 43.50 |
| 18 | 42.50 | 47.50 | 46.00 |
| 19 | 45.00 | 50.00 | 48.50 |
| 20 | 47.50 | 52.50 | 51.00 |

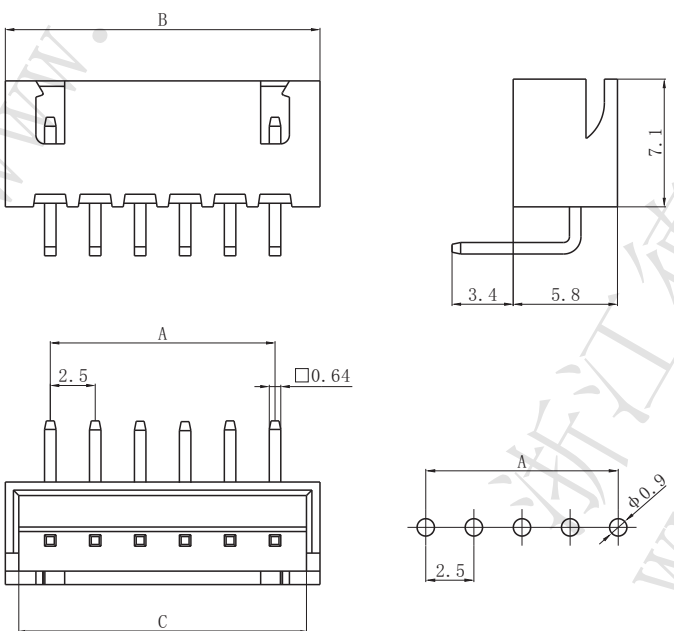
Material (材料)

Housing (胶壳): Nylon (尼龙) UL94- V0 (2)

Wafer (接触件): Brass (黄铜) / Tin plated (镀锡)

符合RoHS标准
RoHS compliance
注: 镀金产品请联系DLL
Note: Contact DLL for gold-plated products.

DL25001-AWT (TJC3-AWT)



| Circuits (电路) | Dimensions (尺寸mm) | | |
|------------------|-------------------|-------|-------|
| | A | B | C |
| 2 | 2.50 | 7.50 | 6.00 |
| 3 | 5.00 | 10.00 | 8.50 |
| 4 | 7.50 | 12.50 | 11.00 |
| 5 | 10.00 | 15.00 | 13.50 |
| 6 | 12.50 | 17.50 | 16.00 |
| 7 | 15.00 | 20.00 | 18.50 |
| 8 | 17.50 | 22.50 | 21.00 |
| 9 | 20.00 | 25.00 | 23.50 |
| 10 | 22.50 | 27.50 | 26.00 |
| 11 | 25.00 | 30.00 | 28.50 |
| 12 | 27.50 | 32.50 | 31.00 |
| 13 | 30.00 | 35.00 | 33.50 |
| 14 | 32.50 | 37.50 | 36.00 |
| 15 | 35.00 | 40.00 | 38.50 |
| 16 | 37.50 | 42.50 | 41.00 |
| 17 | 40.00 | 45.00 | 43.50 |
| 18 | 42.50 | 47.50 | 46.00 |
| 19 | 45.00 | 50.00 | 48.50 |
| 20 | 47.50 | 52.50 | 51.00 |

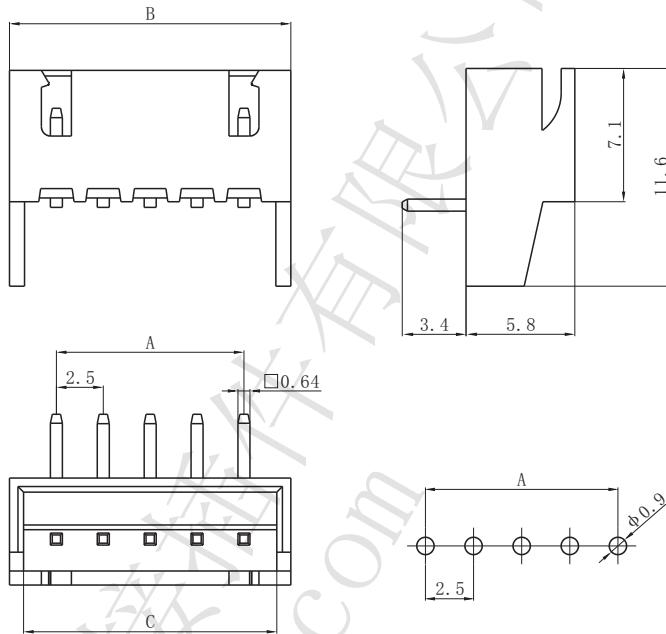
Material (材料)

Housing (胶壳): Nylon (尼龙) UL94- V0 (2)

Wafer (接触件): Brass (黄铜) / Tin plated (镀锡)

符合RoHS标准
RoHS compliance
注: 镀金产品请联系DLL
Note: Contact DLL for gold-plated products.

DL25001-AWD (TJC3-AWD)



| Circuits (电路) | Dimensions (尺寸mm) | | |
|------------------|-------------------|-------|-------|
| | A | B | C |
| 2 | 2.50 | 7.50 | 6.00 |
| 3 | 5.00 | 10.00 | 8.50 |
| 4 | 7.50 | 12.50 | 11.00 |
| 5 | 10.00 | 15.00 | 13.50 |
| 6 | 12.50 | 17.50 | 16.00 |
| 7 | 15.00 | 20.00 | 18.50 |
| 8 | 17.50 | 22.50 | 21.00 |
| 9 | 20.00 | 25.00 | 23.50 |
| 10 | 22.50 | 27.50 | 26.00 |
| 11 | 25.00 | 30.00 | 28.50 |
| 12 | 27.50 | 32.50 | 31.00 |
| 13 | 30.00 | 35.00 | 33.50 |
| 14 | 32.50 | 37.50 | 36.00 |
| 15 | 35.00 | 40.00 | 38.50 |
| 16 | 37.50 | 42.50 | 41.00 |
| 17 | 40.00 | 45.00 | 43.50 |
| 18 | 42.50 | 47.50 | 46.00 |
| 19 | 45.00 | 50.00 | 48.50 |
| 20 | 47.50 | 52.50 | 51.00 |

Material (材料)

Housing (胶壳): Nylon (尼龙) UL94- V0 (2)

Wafer (接触件): Brass (黄铜) / Tin plated (镀锡)

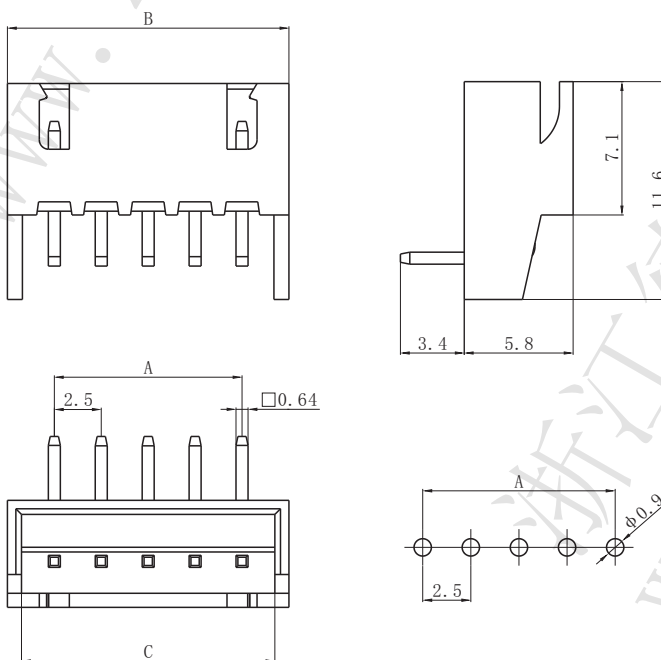
符合RoHS标准

RoHS compliance

注: 镀金产品请联系DLL

Note: Contact DLL for gold-plated products.

DL25001-AWF (TJC3-AWF)



| Circuits (电路) | Dimensions (尺寸mm) | | |
|------------------|-------------------|-------|-------|
| | A | B | C |
| 2 | 2.50 | 7.50 | 6.00 |
| 3 | 5.00 | 10.00 | 8.50 |
| 4 | 7.50 | 12.50 | 11.00 |
| 5 | 10.00 | 15.00 | 13.50 |
| 6 | 12.50 | 17.50 | 16.00 |
| 7 | 15.00 | 20.00 | 18.50 |
| 8 | 17.50 | 22.50 | 21.00 |
| 9 | 20.00 | 25.00 | 23.50 |
| 10 | 22.50 | 27.50 | 26.00 |
| 11 | 25.00 | 30.00 | 28.50 |
| 12 | 27.50 | 32.50 | 31.00 |
| 13 | 30.00 | 35.00 | 33.50 |
| 14 | 32.50 | 37.50 | 36.00 |
| 15 | 35.00 | 40.00 | 38.50 |
| 16 | 37.50 | 42.50 | 41.00 |
| 17 | 40.00 | 45.00 | 43.50 |
| 18 | 42.50 | 47.50 | 46.00 |
| 19 | 45.00 | 50.00 | 48.50 |
| 20 | 47.50 | 52.50 | 51.00 |

Material (材料)

Housing (胶壳): Nylon (尼龙) UL94- V0 (2)

Wafer (接触件): Brass (黄铜) / Tin plated (镀锡)

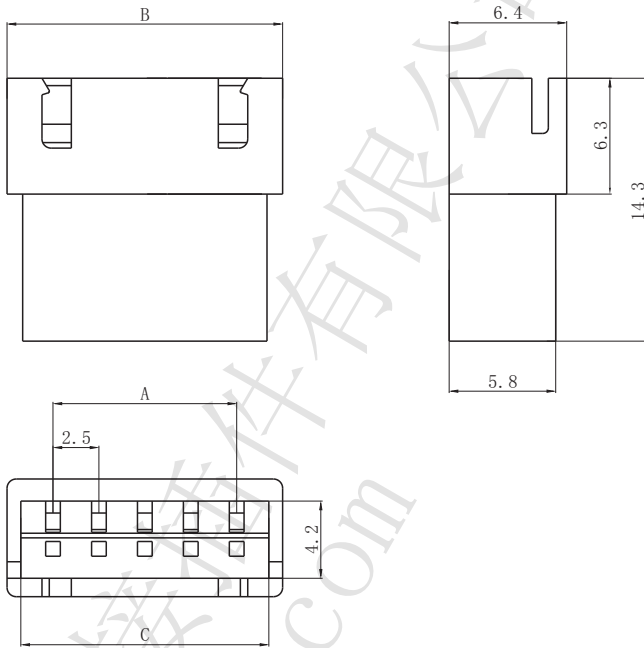
符合RoHS标准

RoHS compliance

注: 镀金产品请联系DLL

Note: Contact DLL for gold-plated products.

□ DL25001-R (TJC3-R)



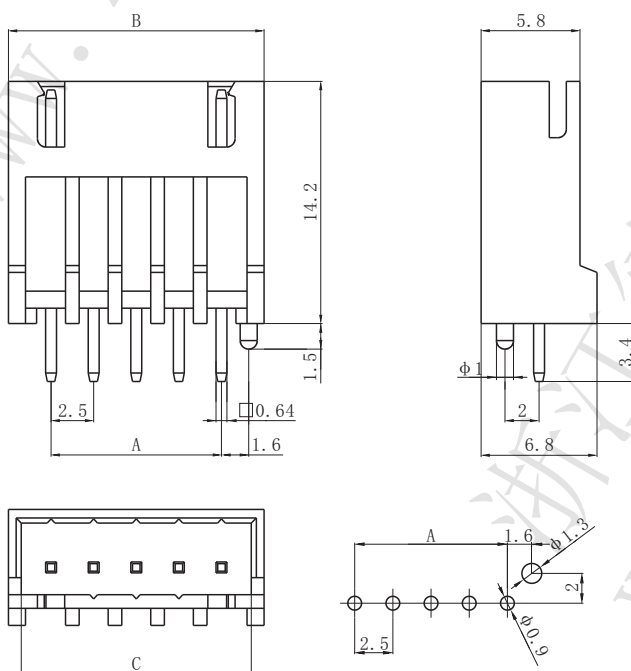
| Circuits (电路) | Dimensions (尺寸mm) | | |
|------------------|-------------------|-------|-------|
| | A | B | C |
| 2 | 2.50 | 7.50 | 6.00 |
| 3 | 5.00 | 10.00 | 8.50 |
| 4 | 7.50 | 12.50 | 11.00 |
| 5 | 10.00 | 15.00 | 13.50 |
| 6 | 12.50 | 17.50 | 16.00 |
| 7 | 15.00 | 20.00 | 18.50 |
| 8 | 17.50 | 22.50 | 21.00 |
| 9 | 20.00 | 25.00 | 23.50 |
| 10 | 22.50 | 27.50 | 26.00 |
| 11 | 25.00 | 30.00 | 28.50 |
| 12 | 27.50 | 32.50 | 31.00 |
| 13 | 30.00 | 35.00 | 33.50 |
| 14 | 32.50 | 37.50 | 36.00 |
| 15 | 35.00 | 40.00 | 38.50 |
| 16 | 37.50 | 42.50 | 41.00 |
| 17 | 40.00 | 45.00 | 43.50 |
| 18 | 42.50 | 47.50 | 46.00 |
| 19 | 45.00 | 50.00 | 48.50 |
| 20 | 47.50 | 52.50 | 51.00 |

Material (材料)

Housing (胶壳): Nylon (尼龙) UL94- V0 (2)

符合RoHS标准
RoHS compliance

□ DL25036-AS (TJC3-H-AS)



| Circuits (电路) | Dimensions (尺寸mm) | | |
|------------------|-------------------|-------|-------|
| | A | B | C |
| 2 | 2.50 | 7.50 | 6.00 |
| 3 | 5.00 | 10.00 | 8.50 |
| 4 | 7.50 | 12.50 | 11.00 |
| 5 | 10.00 | 15.00 | 13.50 |
| 6 | 12.50 | 17.50 | 16.00 |
| 7 | 15.00 | 20.00 | 18.50 |
| 8 | 17.50 | 22.50 | 21.00 |
| 9 | 20.00 | 25.00 | 23.50 |
| 10 | 22.50 | 27.50 | 26.00 |
| 11 | 25.00 | 30.00 | 28.50 |
| 12 | 27.50 | 32.50 | 31.00 |
| 13 | 30.00 | 35.00 | 33.50 |
| 14 | 32.50 | 37.50 | 36.00 |
| 15 | 35.00 | 40.00 | 38.50 |
| 16 | 37.50 | 42.50 | 41.00 |
| 17 | 40.00 | 45.00 | 43.50 |
| 18 | 42.50 | 47.50 | 46.00 |
| 19 | 45.00 | 50.00 | 48.50 |
| 20 | 47.50 | 52.50 | 51.00 |

Material (材料)

Housing (胶壳): Nylon (尼龙) UL94- V0 (2)

Wafer (接触件): Brass (黄铜) / Tin plated (镀锡)

符合RoHS标准
RoHS compliance
注: 镀金产品请联系DLL
Note: Contact DLL for gold-plated products.