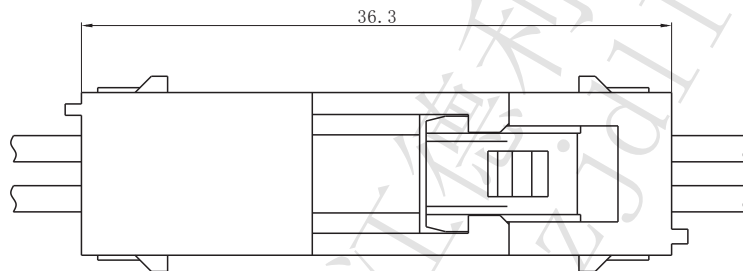


技术特性/Specifications:

额定电压 Rated voltage: 250V AC, DC
 额定电流 Rated current: 7A AC, DC
 接触电阻 Contact resistance: 20mΩ max
 绝缘电阻 Insulation resistance: 1000MΩ min
 耐压 Withstand voltage: 1500V AC/minute
 环境温度 Ambient temperature: -25°C~+85°C
 适用线规 Wire range: AWG#28~#20

PC电路板布局和组件布局 PC board layout and Assembly layout

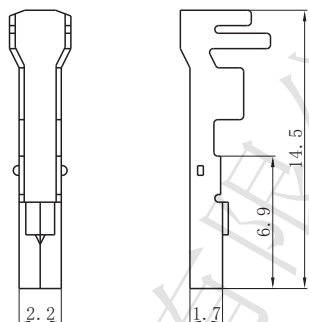
▣ Assembly layout (装配布局)



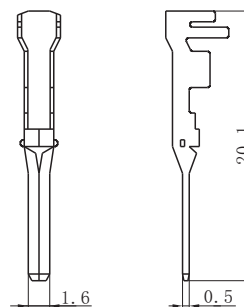
上图为连接器安装侧观察图

Notes: The above figure is the figure viewed from the connector mounting side.

□ DL39608-T (ML-T)



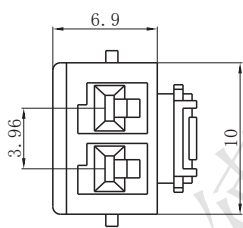
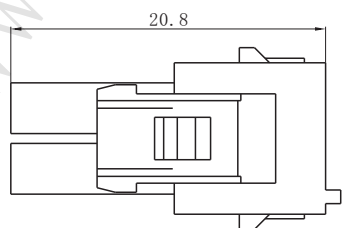
□ DL39608-RT (ML-RT)



| Model No. (型号) | Applicable wire (适用线规) | | | Material (材料) | Plating (电镀) | Qty/reel (数量/盘) |
|--------------------|------------------------|-------|---------------------------|-----------------------|-----------------|-----------------|
| | mm ² | AWG# | Insulation O. D. (绝缘外径mm) | | | |
| DL39608-T (ML-T) | 0.08~0.33 | 28~20 | φ 0.9~1.9 | Phosphor bronze (磷青铜) | Tin Plated (镀锡) | / |
| DL39608-RT (ML-RT) | 0.08~0.33 | 28~20 | φ 0.9~1.9 | Phosphor bronze (磷青铜) | Tin Plated (镀锡) | / |

符合RoHS标准
RoHS compliance
注：镀金产品请联系DLL
Note: Contact DLL for gold-plated products.

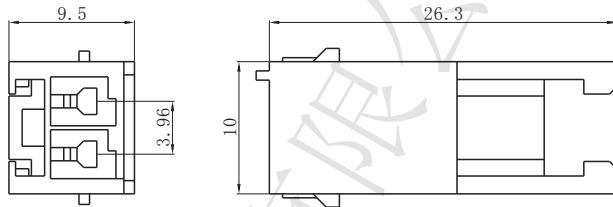
□ DL39608-2Y (ML-2Y)



| Material (材料) |
|--------------------------------------|
| Housing (胶壳): Nylon (尼龙) UL94-V0 (2) |

符合RoHS标准
RoHS compliance

□ DL39608-2R (ML-2R)



Material (材料)

Housing (胶壳): Nylon (尼龙) UL94-V0 (2)

符合RoHS标准
RoHS compliance