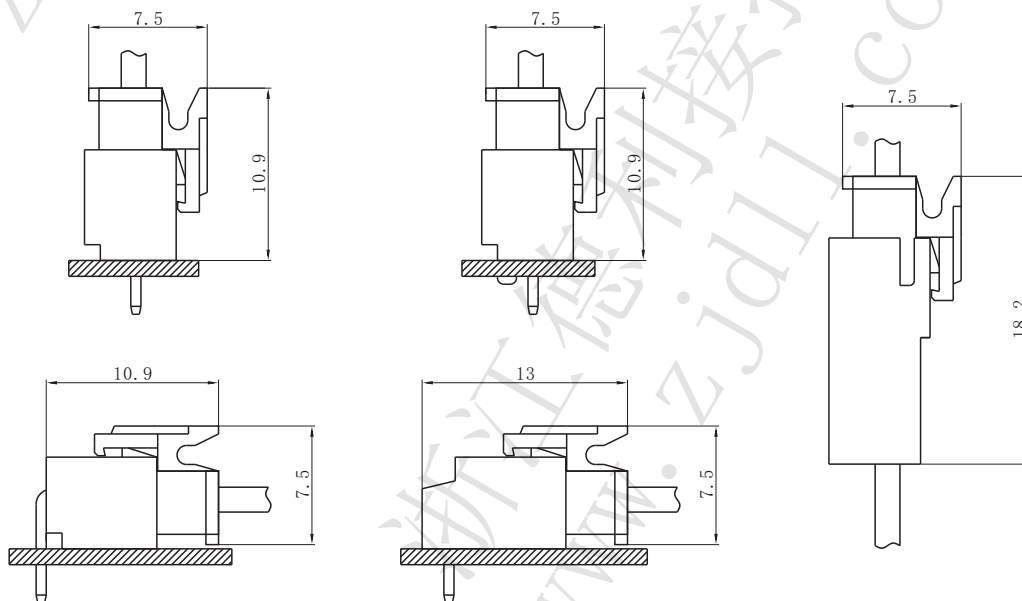


技术特性/Specifications:

额定电压 Rated voltage: 250V AC, DC
 额定电流 Rated current: 3A AC, DC
 接触电阻 Contact resistance: 20mΩ max
 绝缘电阻 Insulation resistance: 1000MΩ min
 耐压 Withstand voltage: 1000V AC/minute
 环境温度 Ambient temperature: -25°C~+85°C
 适用线规 Wire range: AWG#28~#22

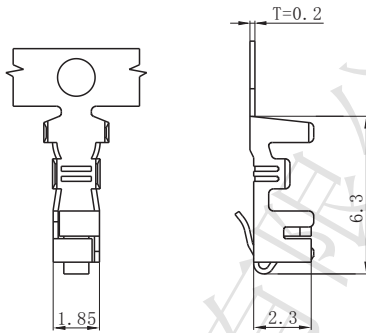
PC电路板布局和组件布局 PC board layout and Assembly layout

▣ Assembly layout (装配布局)

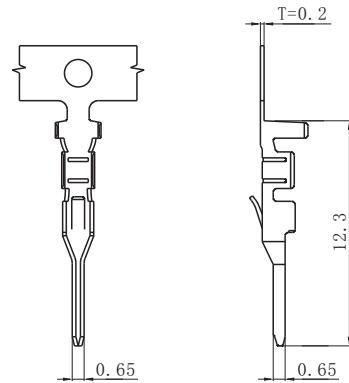


上图为连接器安装侧观察图
 Notes: The above figure is the figure viewed from the connector mounting side.

DL25023-T (TJC3D-T)



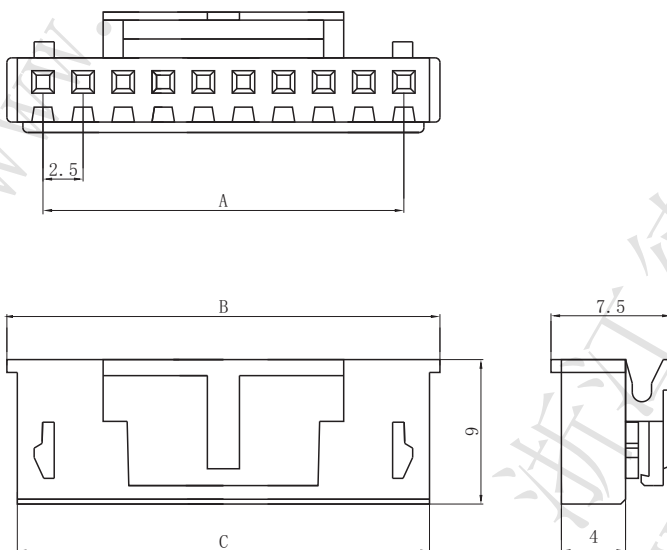
DL25023-RT (TJC3D-RT)



Model No. (型号)	Applicable wire (适用线规)			Material (材料)	Plating (电镀)	Qty/reel (数量/盘)
	mm ²	AWG#	Insulation O.D. (绝缘外径mm)			
DL25023-T (TJC3D-T)	0.08~0.33	28~22	φ1.2~1.9	Phosphor bronze (磷青铜)	Tin Plated (镀锡)	7000
DL25023-RT (TJC3D-RT)	0.08~0.33	28~22	φ1.2~1.9	Phosphor bronze (磷青铜)	Tin Plated (镀锡)	7000

符合RoHS标准
RoHS compliance
注：镀金产品请联系DLL
Note: Contact DLL for gold-plated products.

DL25023-Y (TJC3D-Y)



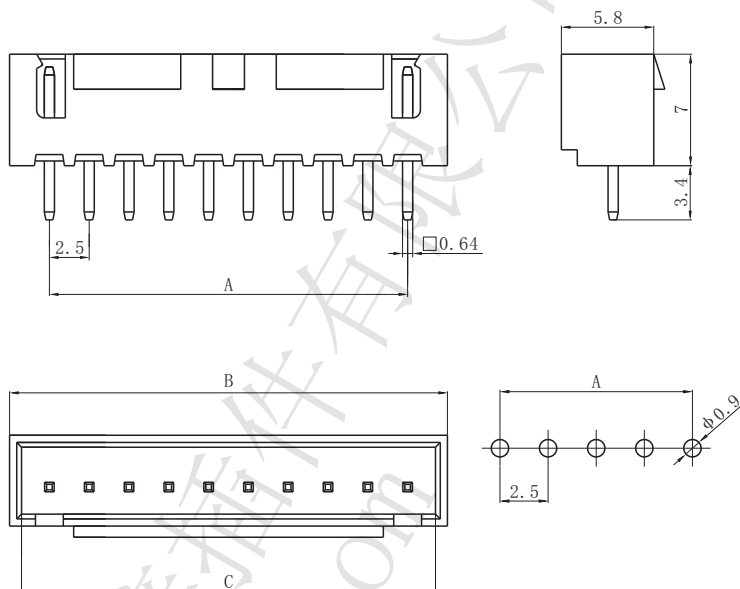
Circuits (电路)	Dimensions (尺寸mm)		
	A	B	C
2	2.50	7.00	5.70
3	5.00	9.50	8.20
4	7.50	12.00	10.70
5	10.00	14.50	13.20
6	12.50	17.00	15.70
7	15.00	19.50	18.20
8	17.50	22.00	20.70
9	20.00	24.50	23.20
10	22.50	27.00	25.70
11	25.00	29.50	28.20
12	27.50	32.00	30.70
13	30.00	34.50	33.20
14	32.50	37.00	35.70
15	35.00	39.50	38.20

Material (材料)

Housing (胶壳): Nylon (尼龙) UL94- V0 (2)

符合RoHS标准
RoHS compliance

DL25023-A (TJC3D-A)



Circuits (电路)	Dimensions (尺寸mm)		
	A	B	C
2	2.50	7.50	6.00
3	5.00	10.00	8.50
4	7.50	12.50	11.00
5	10.00	15.00	13.50
6	12.50	17.50	16.00
7	15.00	20.00	18.50
8	17.50	22.50	21.00
9	20.00	25.00	23.50
10	22.50	27.50	26.00
11	25.00	30.00	28.50
12	27.50	32.50	31.00
13	30.00	35.00	33.50
14	32.50	37.50	36.00
15	35.00	40.00	38.50

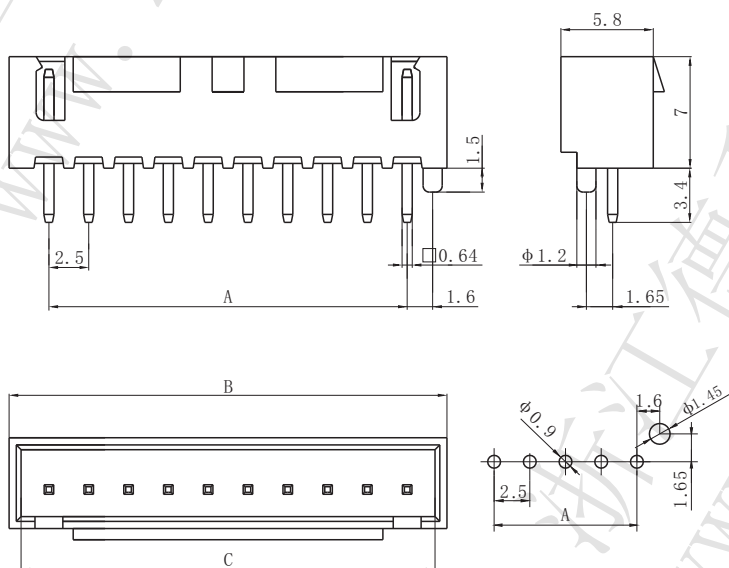
Material (材料)

Housing (胶壳): Nylon (尼龙) UL94- V0 (2)

Wafer (接触件): Brass (黄铜) / Tin plated (镀锡)

符合RoHS标准
RoHS compliance

DL25023-AS (TJC3D-AS)



Circuits (电路)	Dimensions (尺寸mm)		
	A	B	C
2	2.50	7.50	6.00
3	5.00	10.00	8.50
4	7.50	12.50	11.00
5	10.00	15.00	13.50
6	12.50	17.50	16.00
7	15.00	20.00	18.50
8	17.50	22.50	21.00
9	20.00	25.00	23.50
10	22.50	27.50	26.00
11	25.00	30.00	28.50
12	27.50	32.50	31.00
13	30.00	35.00	33.50
14	32.50	37.50	36.00
15	35.00	40.00	38.50

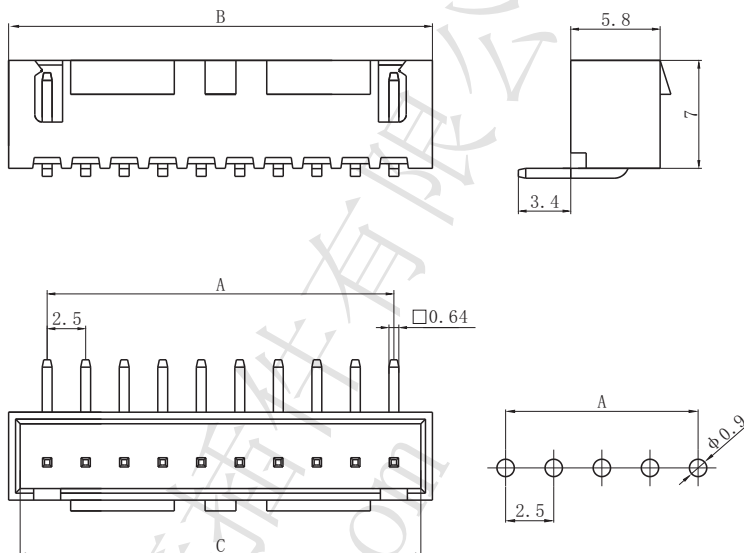
Material (材料)

Housing (胶壳): Nylon (尼龙) UL94- V0 (2)

Wafer (接触件): Brass (黄铜) / Tin plated (镀锡)

符合RoHS标准
RoHS compliance

DL25023-AW (TJC3D-AW)



Circuits (电路)	Dimensions (尺寸mm)		
	A	B	C
2	2.50	7.50	6.00
3	5.00	10.00	8.50
4	7.50	12.50	11.00
5	10.00	15.00	13.50
6	12.50	17.50	16.00
7	15.00	20.00	18.50
8	17.50	22.50	21.00
9	20.00	25.00	23.50
10	22.50	27.50	26.00
11	25.00	30.00	28.50
12	27.50	32.50	31.00
13	30.00	35.00	33.50
14	32.50	37.50	36.00
15	35.00	40.00	38.50

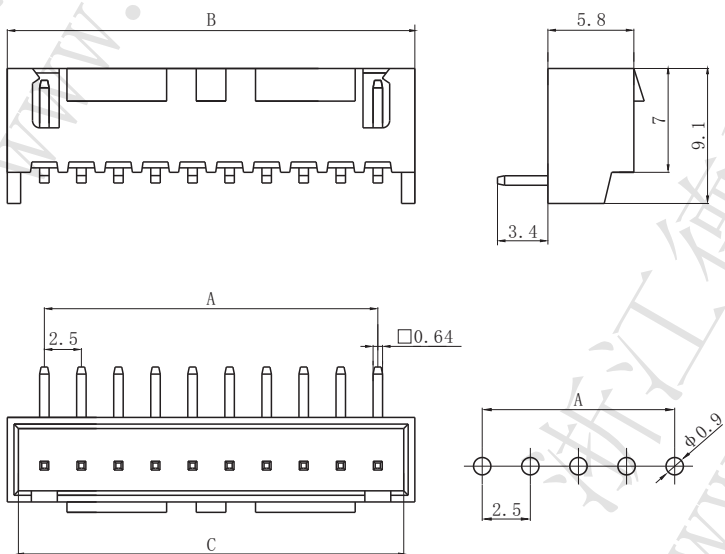
Material (材料)

Housing (胶壳): Nylon (尼龙) UL94- V0 (2)

Wafer (接触件): Brass (黄铜) / Tin plated (镀锡)

符合RoHS标准
RoHS compliance

DL25023-AWD (TJC3D-AWD)



Circuits (电路)	Dimensions (尺寸mm)		
	A	B	C
2	2.50	7.50	6.00
3	5.00	10.00	8.50
4	7.50	12.50	11.00
5	10.00	15.00	13.50
6	12.50	17.50	16.00
7	15.00	20.00	18.50
8	17.50	22.50	21.00
9	20.00	25.00	23.50
10	22.50	27.50	26.00
11	25.00	30.00	28.50
12	27.50	32.50	31.00
13	30.00	35.00	33.50
14	32.50	37.50	36.00
15	35.00	40.00	38.50

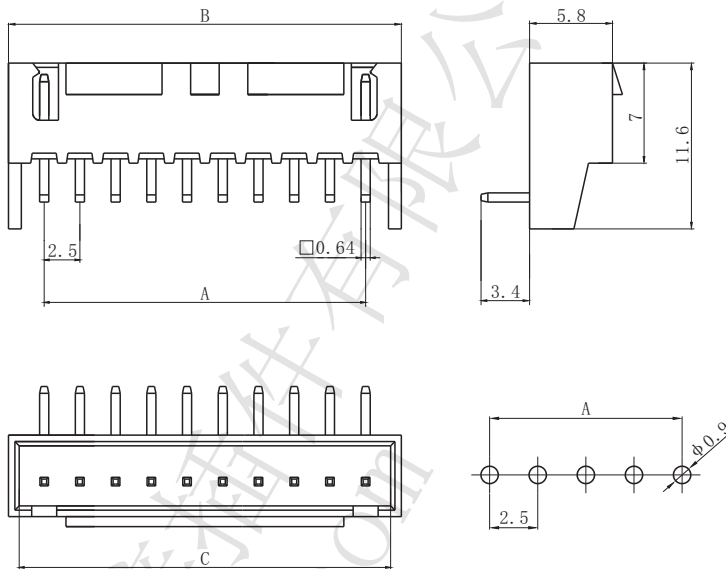
Material (材料)

Housing (胶壳): Nylon (尼龙) UL94- V0 (2)

Wafer (接触件): Brass (黄铜) / Tin plated (镀锡)

符合RoHS标准
RoHS compliance

DL25023-AWF (TJC3D-AWF)



Circuits (电路)	Dimensions (尺寸mm)		
	A	B	C
2	2.50	7.50	6.00
3	5.00	10.00	8.50
4	7.50	12.50	11.00
5	10.00	15.00	13.50
6	12.50	17.50	16.00
7	15.00	20.00	18.50
8	17.50	22.50	21.00
9	20.00	25.00	23.50
10	22.50	27.50	26.00
11	25.00	30.00	28.50
12	27.50	32.50	31.00
13	30.00	35.00	33.50
14	32.50	37.50	36.00
15	35.00	40.00	38.50

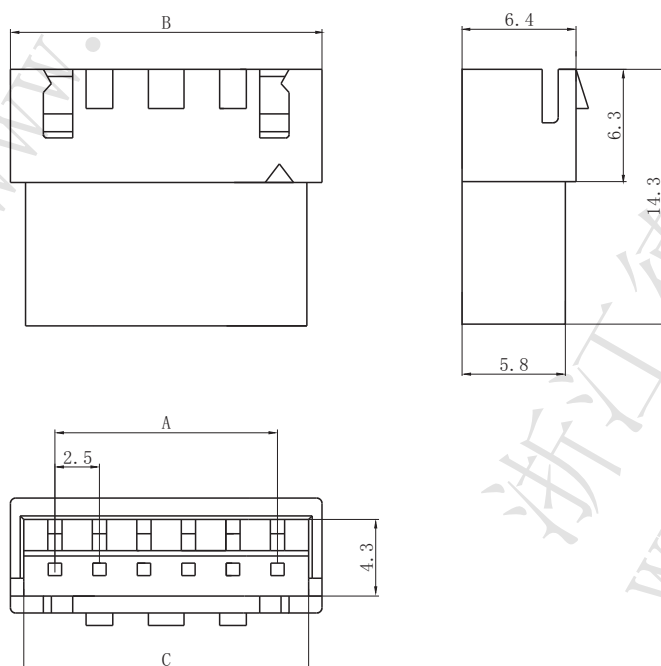
Material (材料)

Housing (胶壳): Nylon (尼龙) UL94- V0 (2)

Wafer (接触件): Brass (黄铜) / Tin plated (镀锡)

符合RoHS标准
RoHS compliance

DL25023-R (TJC3D-R)



Circuits (电路)	Dimensions (尺寸mm)		
	A	B	C
2	2.50	7.50	6.00
3	5.00	10.00	8.50
4	7.50	12.50	11.00
5	10.00	15.00	13.50
6	12.50	17.50	16.00
7	15.00	20.00	18.50
8	17.50	22.50	21.00
9	20.00	25.00	23.50
10	22.50	27.50	26.00
11	25.00	30.00	28.50
12	27.50	32.50	31.00
13	30.00	35.00	33.50
14	32.50	37.50	36.00
15	35.00	40.00	38.50

Material (材料)

Housing (胶壳): Nylon (尼龙) UL94- V0 (2)

符合RoHS标准
RoHS compliance