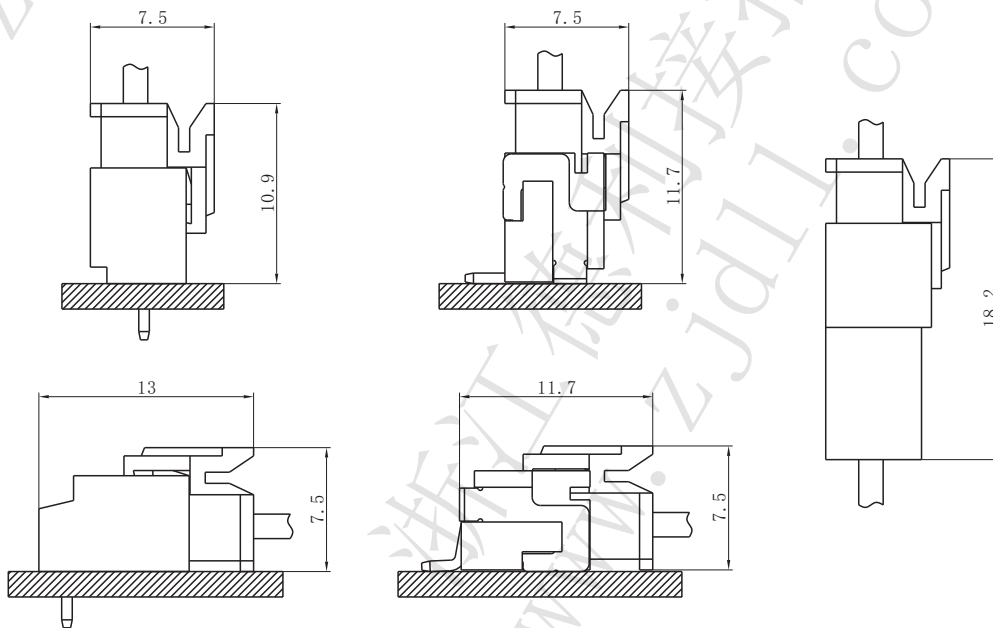


**技术特性/Specifications:**

额定电压 Rated voltage: 250V AC, DC  
 额定电流 Rated current: 3A AC, DC  
 接触电阻 Contact resistance: 20mΩ max  
 绝缘电阻 Insulation resistance: 1000MΩ min  
 耐压 Withstand voltage: 1000V AC/minute  
 环境温度 Ambient temperature: -25°C~+85°C  
 适用线规 Wire range: AWG#28~#22

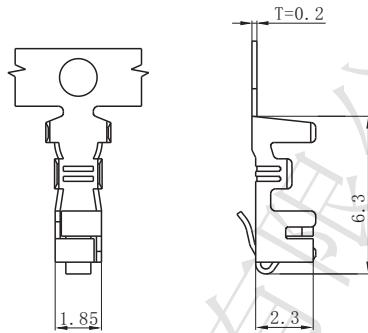
**PC电路板布局和组件布局 PC board layout and Assembly layout**

▣ Assembly layout (装配布局)

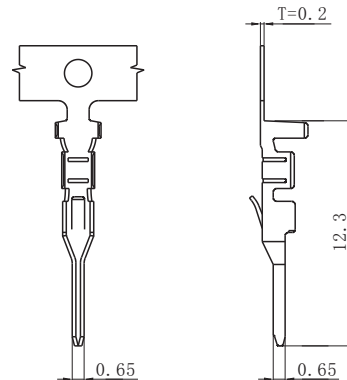


上图为连接器安装侧观察图  
 Notes: The above figure is the figure viewed from the connector mounting side.

DL25002-T (TJC3B-T)



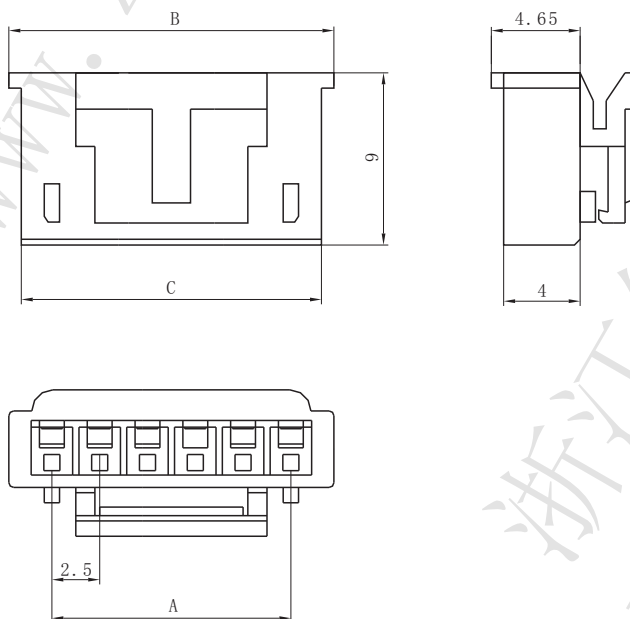
DL25002-RT (TJC3B-RT)



Model No. (型号)	Applicable wire (适用线规)			Material (材料)	Plating (电镀)	Qty/reel (数量/盘)
	mm <sup>2</sup>	AWG#	Insulation O.D. (绝缘外径mm)			
DL25002-T (TJC3B-T)	0.08~0.33	28~22	φ1.2~1.9	Phosphor bronze (磷青铜)	Tin Plated (镀锡)	7000
DL25002-RT (TJC3B-RT)	0.08~0.33	28~22	φ1.2~1.9	Phosphor bronze (磷青铜)	Tin Plated (镀锡)	7000

符合RoHS标准  
RoHS compliance  
注：镀金产品请联系DLL  
Note: Contact DLL for gold-plated products.

DL25002-Y (TJC3B-Y)



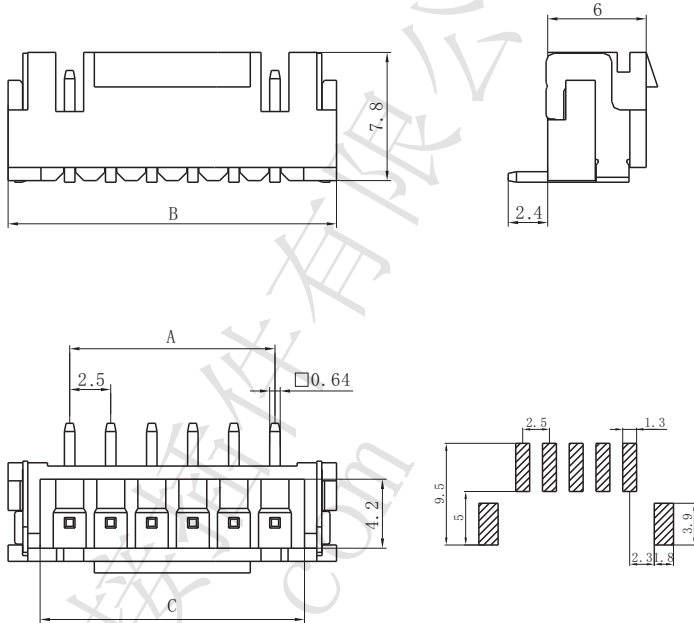
Circuits (电路)	Dimensions (尺寸mm)		
	A	B	C
2	2.50	7.00	5.70
3	5.00	9.50	8.20
4	7.50	12.00	10.70
5	10.00	14.50	13.20
6	12.50	17.00	15.70
7	15.00	19.50	18.20
8	17.50	22.00	20.70
9	20.00	24.50	23.20
10	22.50	27.00	25.70
11	25.00	29.50	28.20
12	27.50	32.00	30.70
13	30.00	34.50	33.20
14	32.50	37.00	35.70
15	35.00	39.50	38.20

Material (材料)

Housing (胶壳): Nylon (尼龙) UL94-V0 (2)

符合RoHS标准  
RoHS compliance

DL25002-AB (TJC3B-AB)



Circuits (电路)	Dimensions (尺寸mm)		
	A	B	C
2	2.50	10.00	5.95
3	5.00	12.50	8.45
4	7.50	15.00	10.95
5	10.00	17.50	13.45
6	12.50	20.00	15.95
7	15.00	22.50	18.45
8	17.50	25.00	20.95
9	20.00	27.50	23.45
10	22.50	30.00	25.95
11	25.00	32.50	28.45
12	27.50	35.00	30.95
13	30.00	37.50	33.45
14	32.50	40.00	35.95
15	35.00	42.50	38.45

Material (材料)

Housing (胶壳): LCP UL94-V0

Wafer (接触件): Brass (黄铜) / Tin plated (镀锡)

Solder tabs (焊片): Brass (黄铜) / Tin plated (镀锡)

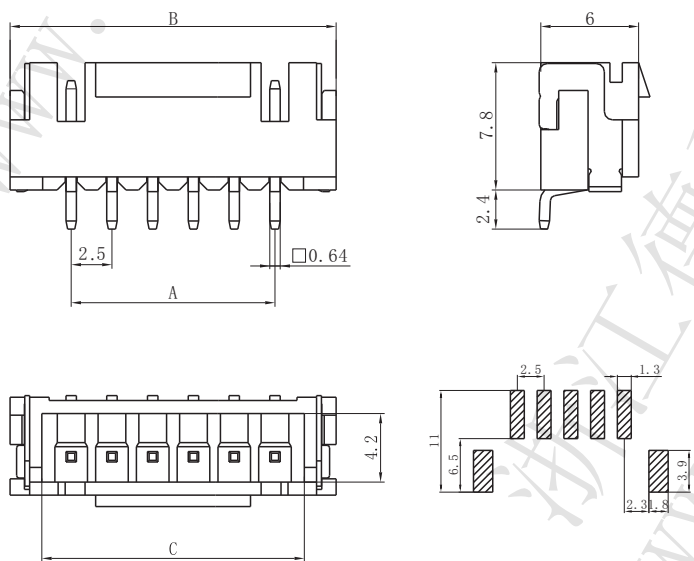
符合RoHS标准

RoHS compliance

注: 镀金产品请联系DLL

Note: Contact DLL for gold-plated products.

DL25002-AWB (TJC3B-AWB)



Circuits (电路)	Dimensions (尺寸mm)		
	A	B	C
2	2.50	10.00	5.95
3	5.00	12.50	8.45
4	7.50	15.00	10.95
5	10.00	17.50	13.45
6	12.50	20.00	15.95
7	15.00	22.50	18.45
8	17.50	25.00	20.95
9	20.00	27.50	23.45
10	22.50	30.00	25.95
11	25.00	32.50	28.45
12	27.50	35.00	30.95
13	30.00	37.50	33.45
14	32.50	40.00	35.95
15	35.00	42.50	38.45

Material (材料)

Housing (胶壳): LCP UL94-V0

Wafer (接触件): Brass (黄铜) / Tin plated (镀锡)

Solder tabs (焊片): Brass (黄铜) / Tin plated (镀锡)

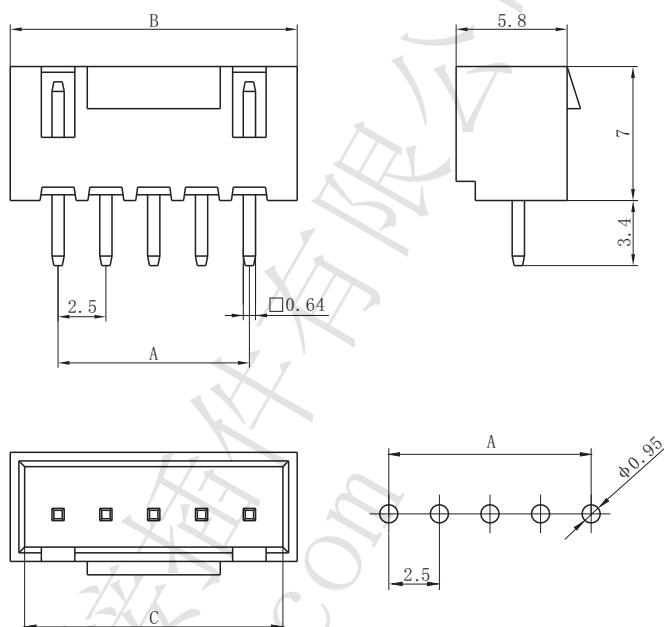
符合RoHS标准

RoHS compliance

注: 镀金产品请联系DLL

Note: Contact DLL for gold-plated products.

DL25002-A (TJC3B-A)



Circuits (电路)	Dimensions (尺寸mm)		
	A	B	C
2	2.50	7.50	6.00
3	5.00	10.00	8.50
4	7.50	12.50	11.00
5	10.00	15.00	13.50
6	12.50	17.50	16.00
7	15.00	20.00	18.50
8	17.50	22.50	21.00
9	20.00	25.00	23.50
10	22.50	27.50	26.00
11	25.00	30.00	28.50
12	27.50	32.50	31.00
13	30.00	35.00	33.50
14	32.50	37.50	36.00
15	35.00	40.00	38.50

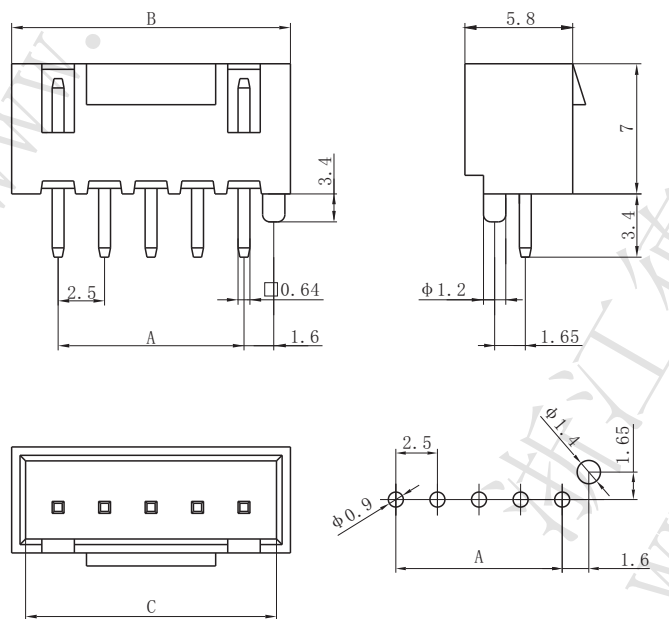
Material (材料)

Housing (胶壳): Nylon (尼龙) UL94-V0(2)

Wafer (接触件): Brass (黄铜) / Tin plated (镀锡)

符合RoHS标准  
RoHS compliance  
注: 镀金产品请联系DLL  
Note: Contact DLL for gold-plated products.

DL25002-AS (TJC3B-AS)



Circuits (电路)	Dimensions (尺寸mm)		
	A	B	C
2	2.50	7.50	6.00
3	5.00	10.00	8.50
4	7.50	12.50	11.00
5	10.00	15.00	13.50
6	12.50	17.50	16.00
7	15.00	20.00	18.50
8	17.50	22.50	21.00
9	20.00	25.00	23.50
10	22.50	27.50	26.00
11	25.00	30.00	28.50
12	27.50	32.50	31.00
13	30.00	35.00	33.50
14	32.50	37.50	36.00
15	35.00	40.00	38.50

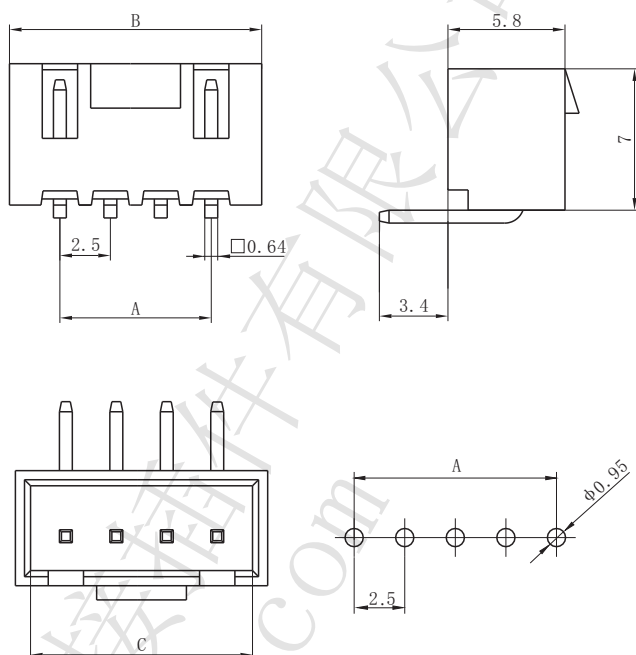
Material (材料)

Housing (胶壳): Nylon (尼龙) UL94-V0(2)

Wafer (接触件): Brass (黄铜) / Tin plated (镀锡)

符合RoHS标准  
RoHS compliance  
注: 镀金产品请联系DLL  
Note: Contact DLL for gold-plated products.

DL25002-AW (TJC3B-AW)



Circuits (电路)	Dimensions (尺寸mm)		
	A	B	C
2	2.50	7.50	6.00
3	5.00	10.00	8.50
4	7.50	12.50	11.00
5	10.00	15.00	13.50
6	12.50	17.50	16.00
7	15.00	20.00	18.50
8	17.50	22.50	21.00
9	20.00	25.00	23.50
10	22.50	27.50	26.00
11	25.00	30.00	28.50
12	27.50	32.50	31.00
13	30.00	35.00	33.50
14	32.50	37.50	36.00
15	35.00	40.00	38.50

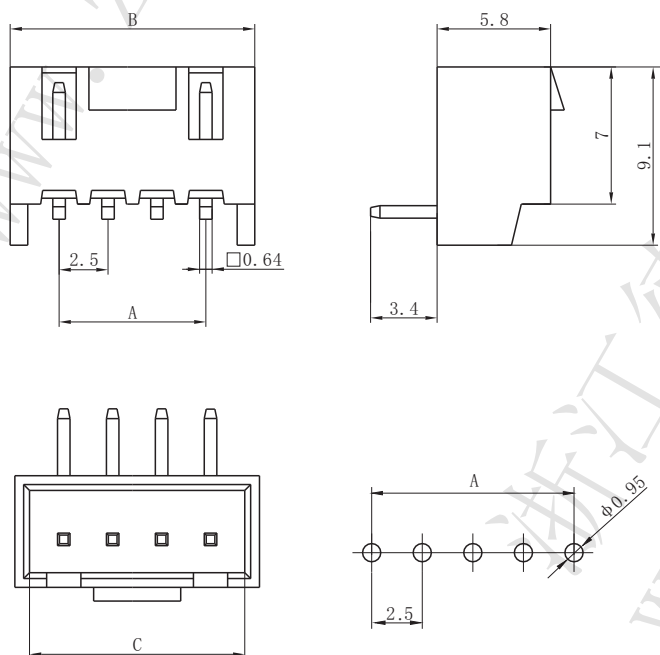
Material (材料)

Housing (胶壳): Nylon (尼龙) UL94-V0(2)

Wafer (接触件): Brass (黄铜) / Tin plated (镀锡)

符合RoHS标准  
RoHS compliance  
注: 镀金产品请联系DLL  
Note: Contact DLL for gold-plated products.

DL25002-AWD (TJC3B-AWD)



Circuits (电路)	Dimensions (尺寸mm)		
	A	B	C
2	2.50	7.50	6.00
3	5.00	10.00	8.50
4	7.50	12.50	11.00
5	10.00	15.00	13.50
6	12.50	17.50	16.00
7	15.00	20.00	18.50
8	17.50	22.50	21.00
9	20.00	25.00	23.50
10	22.50	27.50	26.00
11	25.00	30.00	28.50
12	27.50	32.50	31.00
13	30.00	35.00	33.50
14	32.50	37.50	36.00
15	35.00	40.00	38.50

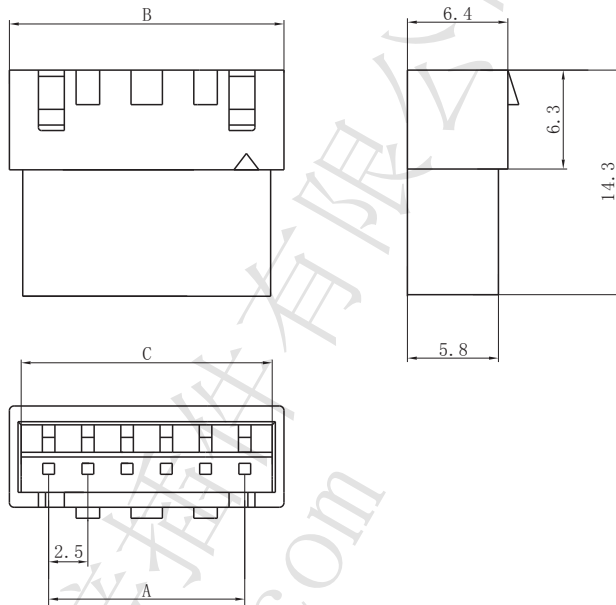
Material (材料)

Housing (胶壳): Nylon (尼龙) UL94-V0(2)

Wafer (接触件): Brass (黄铜) / Tin plated (镀锡)

符合RoHS标准  
RoHS compliance  
注: 镀金产品请联系DLL  
Note: Contact DLL for gold-plated products.

□ DL25002-R (TJC3B-R)



Circuits (电路)	Dimensions (尺寸mm)		
	A	B	C
2	2.50	7.50	6.00
3	5.00	10.00	8.50
4	7.50	12.50	11.00
5	10.00	15.00	13.50
6	12.50	17.50	16.00
7	15.00	20.00	18.50
8	17.50	22.50	21.00
9	20.00	25.00	23.50
10	22.50	27.50	26.00
11	25.00	30.00	28.50
12	27.50	32.50	31.00
13	30.00	35.00	33.50
14	32.50	37.50	36.00
15	35.00	40.00	38.50

Material (材料)

Housing (胶壳): Nylon (尼龙) UL94-V0(2)

符合RoHS标准  
RoHS compliance